

8

7

6

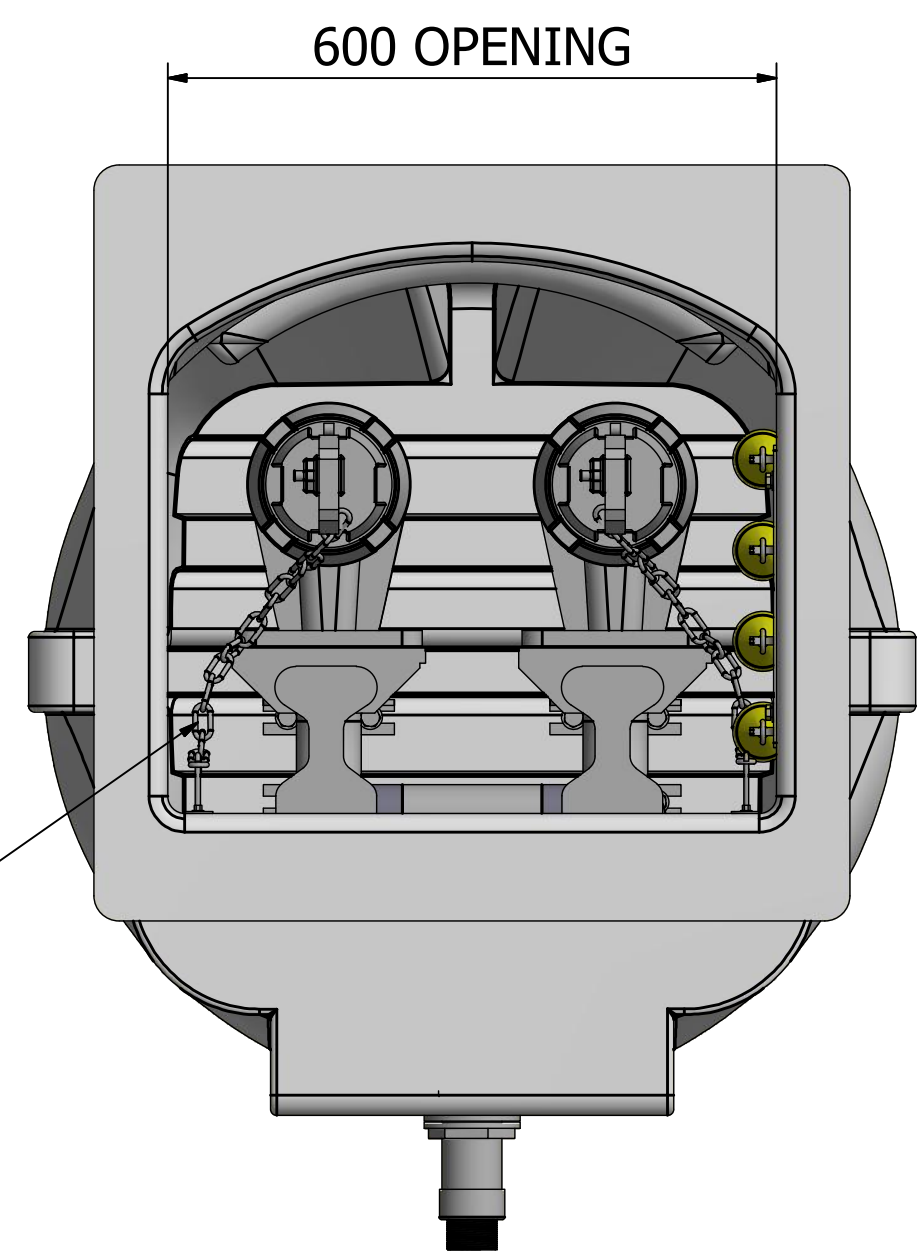
5

4

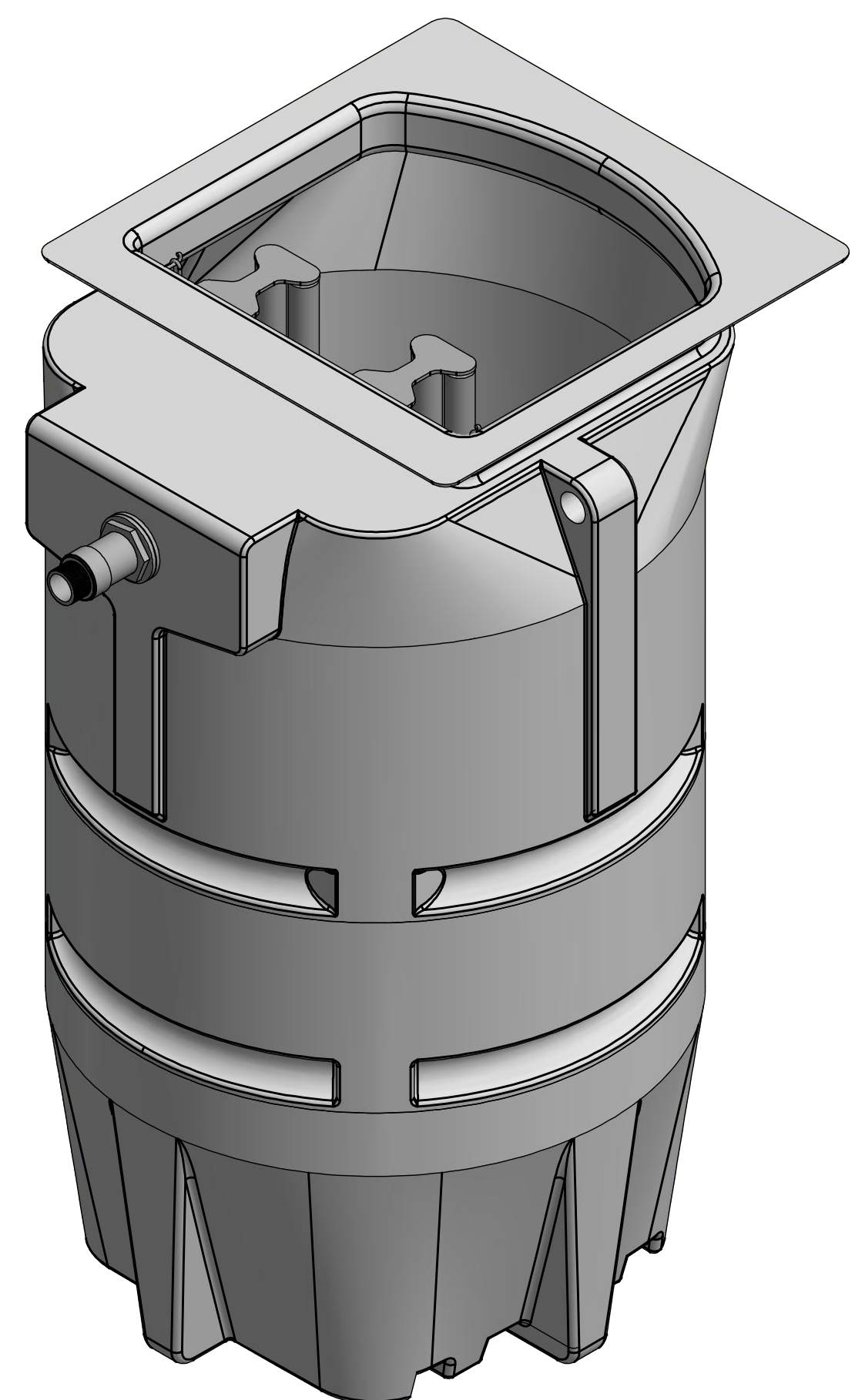
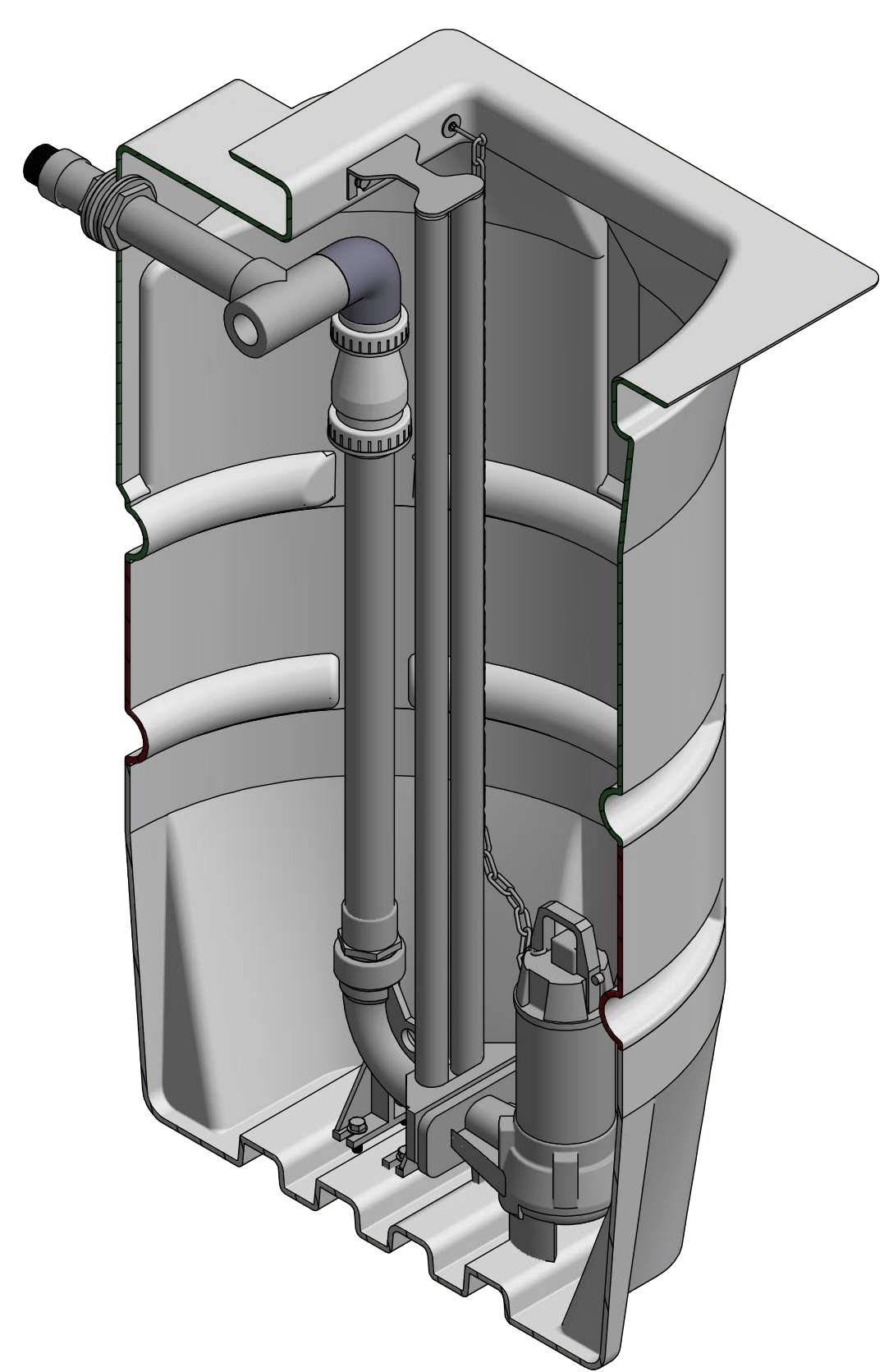
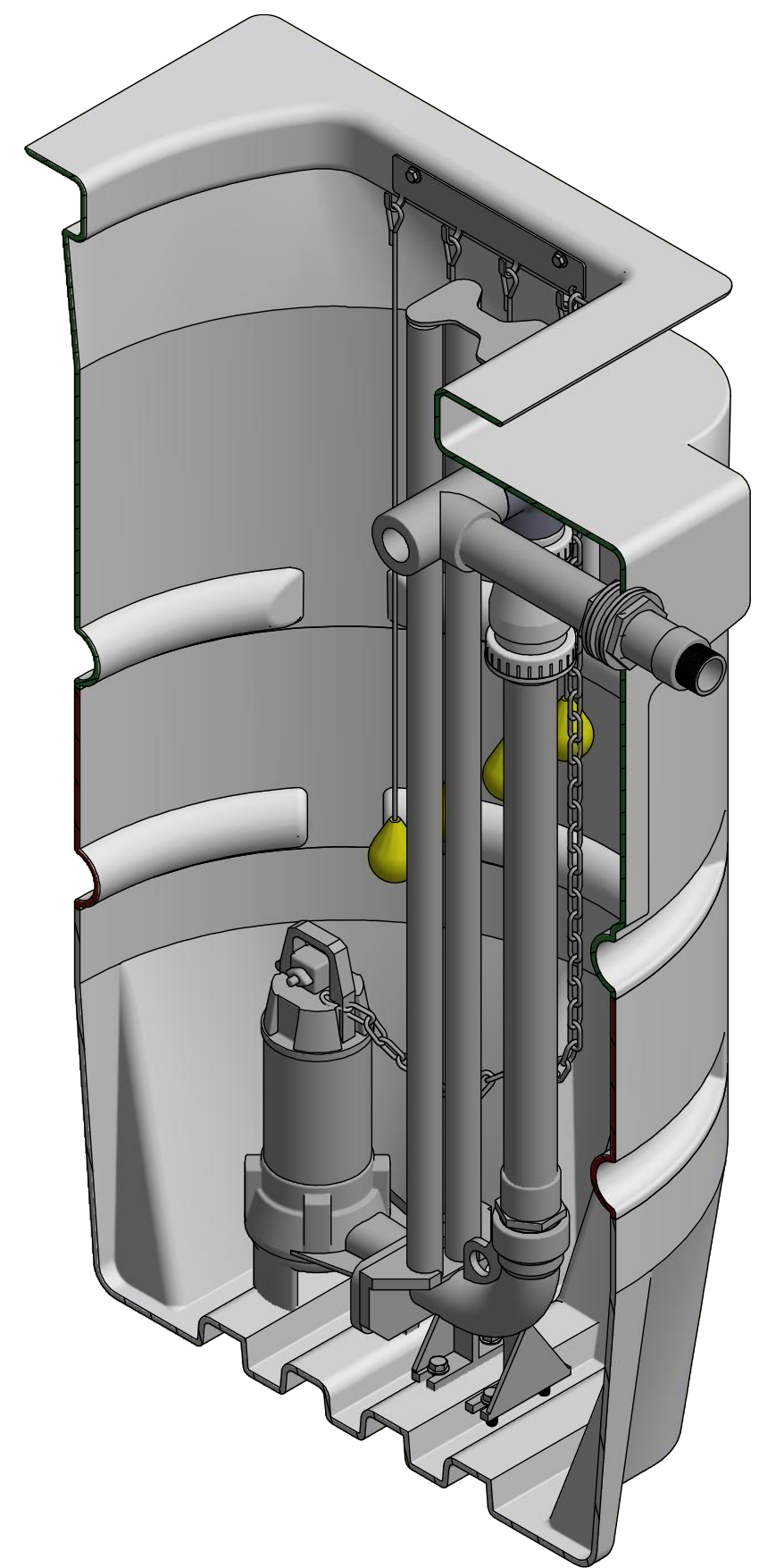
3

2

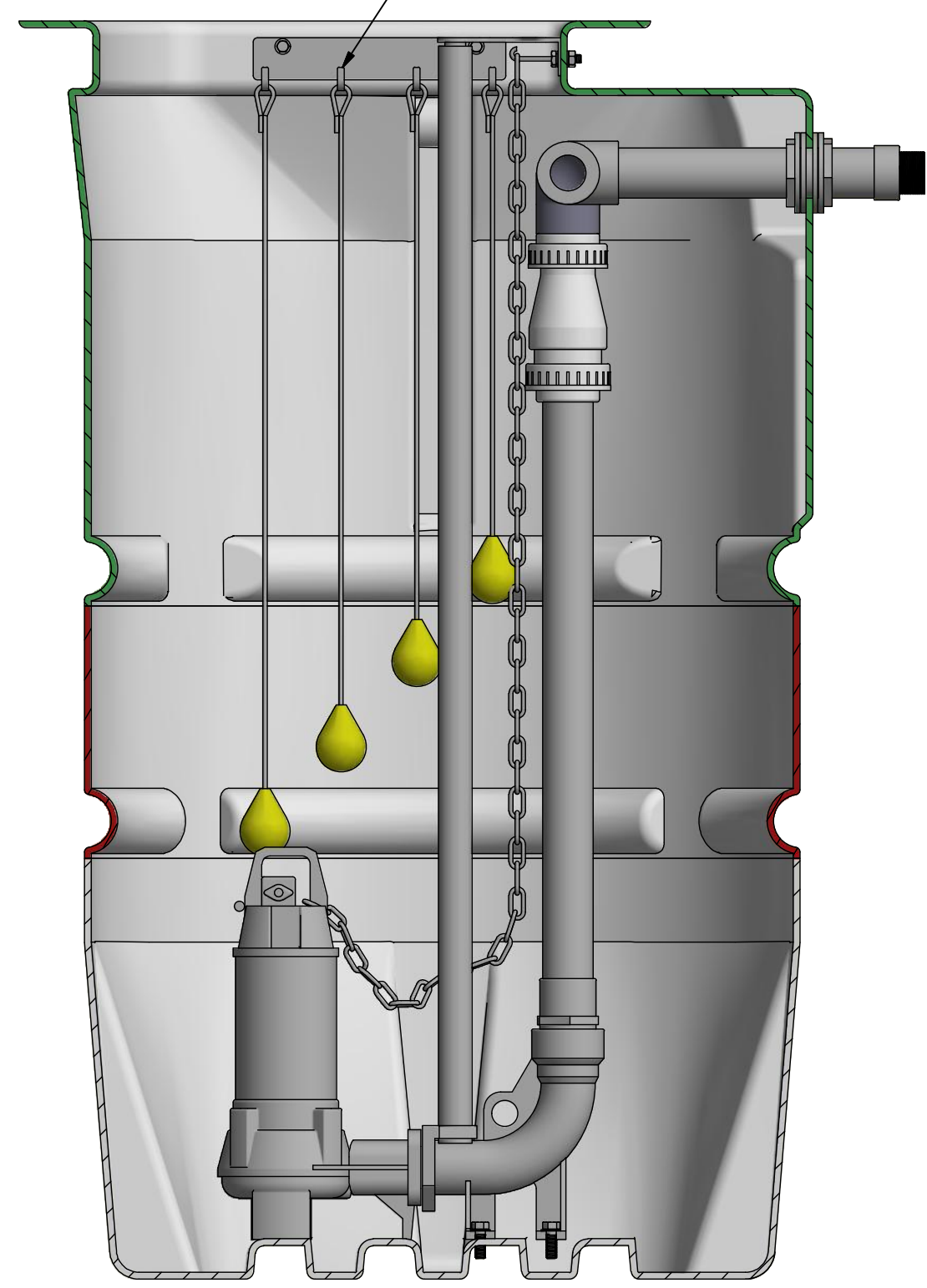
1



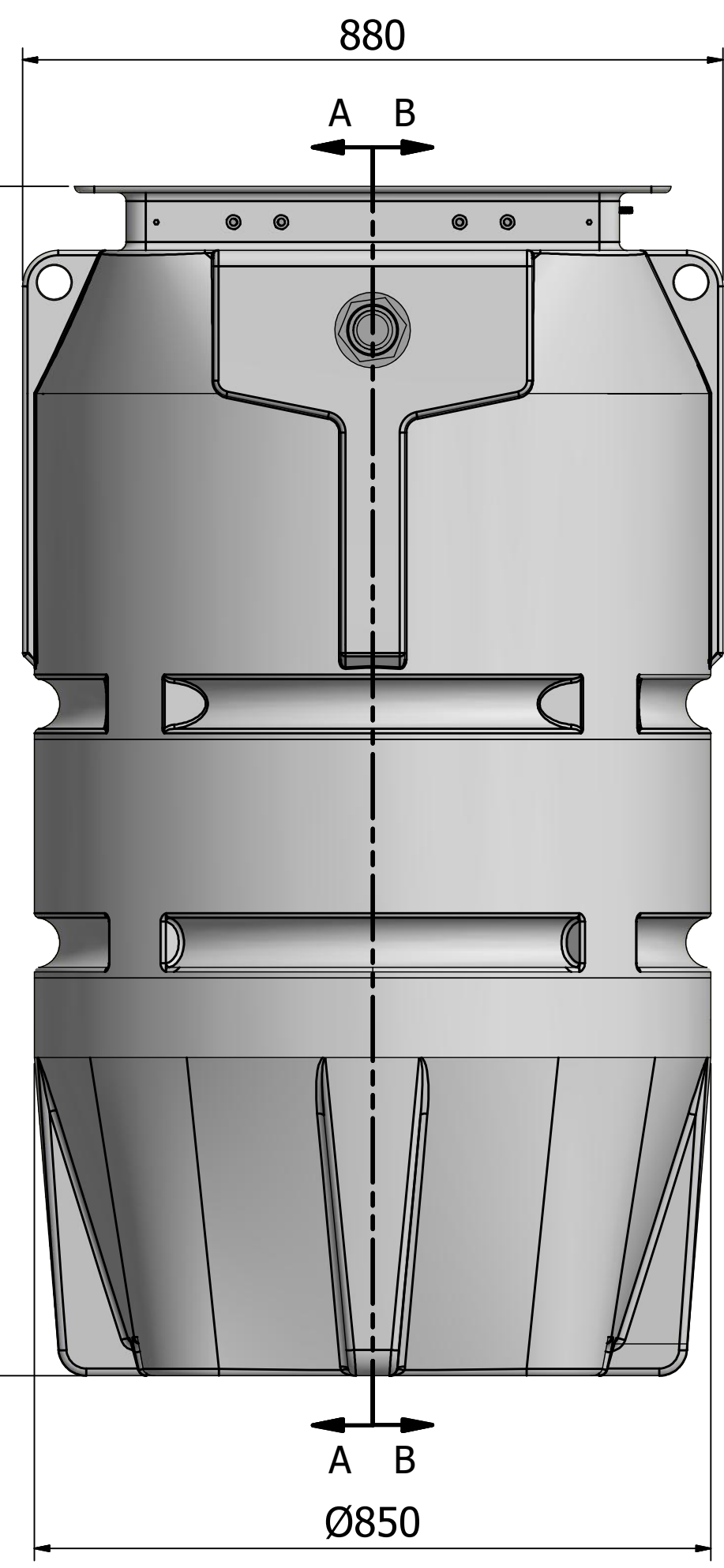
PUMP LIFTING CHAINS
& STOWAGE HOOK



LEVEL SWITCHES
& BRACKET



SECTION B-B
SCALE 1:7.5

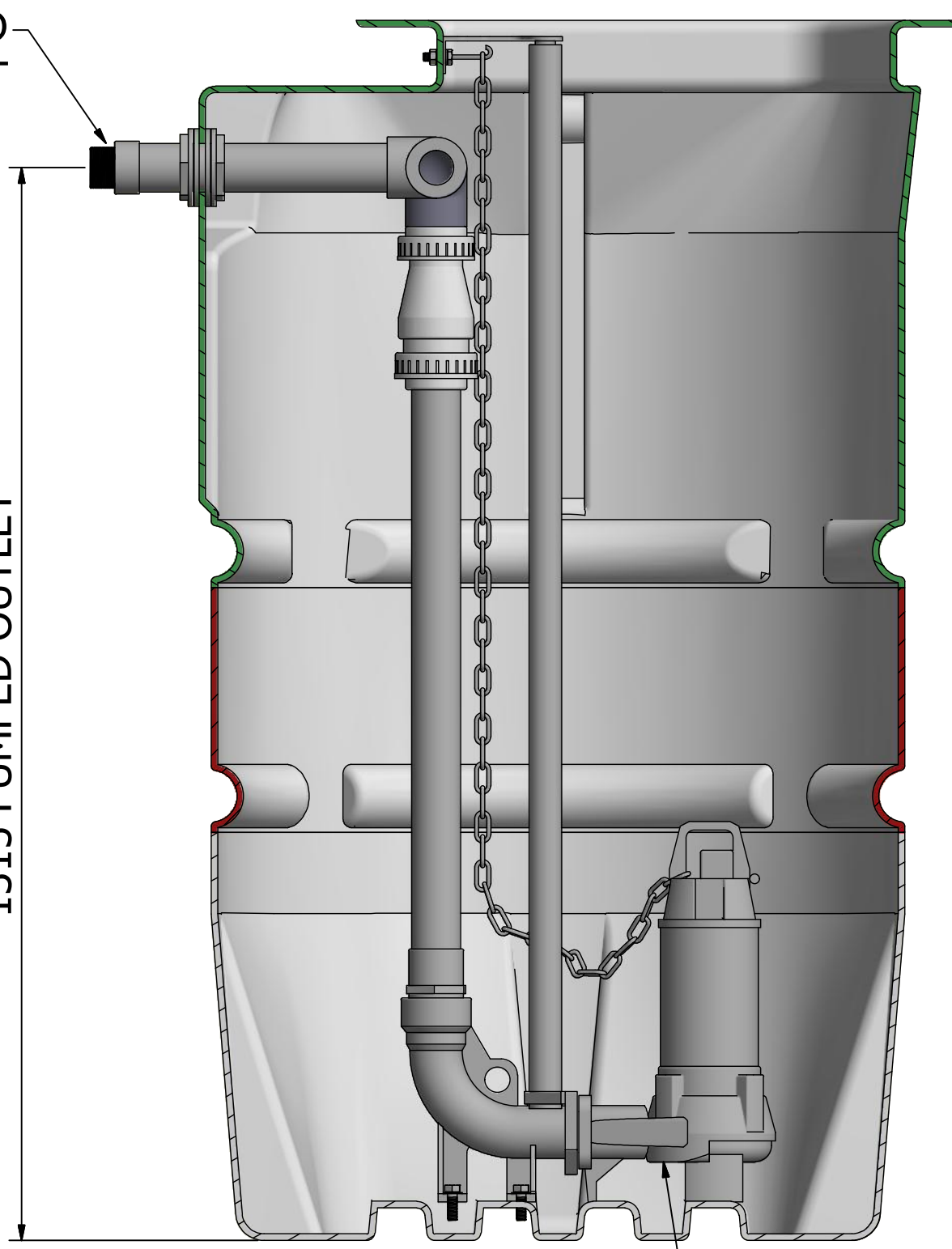


1500 OVERALL HEIGHT

Ø850

2" (M) THREAD
PUMPED OUTLET

1315 PUMPED OUTLET



SECTION A-A
SCALE 1:7.5
TWIN SET
HEAVY DUTY PUMPS

Rev	Date	Description
THIRD ANGLE PROJECTION		
<p>THIS DRAWING IS CONFIDENTIAL AND MAY NOT BE USED, COPIED OR DISCLOSED TO ANYONE WITHOUT THE PERMISSION OF D.P. & T.</p>		
<p>PRODUCT CODE MINI 850T</p>		<p>PRODUCT DESCRIPTION SINGLE PUMP VERSION</p>
Drawn By:	R.U.	Checked By: C.W.
Drawn Date:	20/09/2022	Checked Date: 20/09/2022
Approved By:	C.W.	Approved Date: 20/09/2022
REV	1	SHEET 1 OF 1
SIZE	A3	SCALE 1:7.5

8

7

6

5

4

3

2

1