

SPECIFICATIONS

SAB40-1200M	
Dimensions:	706.1x289.7x73.6mm
Brightness:	4800Lm
Colour Temperature:	4000K
Output Power:	40W
Equivalent Mains Power:	400W
Battery:	LiFePO4 Battery, 32700, 9.6V/ 12000mAh, replaceable
Solar Panel:	21W/13.5V, Mono-crystalline silicone material
Beam Angle:	140X70°-TPIII
Working Modes:	Two Optional Working Modes - Accessible via Fitting or Remote Control
Full Charge Lighting Time:	Mode A: 3~5 Nights / Mode B: 2~3 Nights
PIR Detection Angle/ Distance:	120°/ 8-12Mtrs
IP Rating:	IP65
Installation Height:	3-6 metres
Working Temperature:	-20°C~60°C
Warranty	12 Months

Remote Control - SAB40-1200M	
Dimensions:	86x40x7mm
Coverage & Distance:	Unlimited Lamps in ≤12mtrs radius
Battery Type:	Lithium Cell 3V
Battery Dimensions:	Ø20mmx2.5mm

COMPLIANT WITH:

The products listed in these instructions have been tested and comply with the following:

- EMC (2014/30/EU) Directives
- EMC (2014/30) Statutory Instruments
- BS EN 55015
- BS EN 61000-3-2
- BS EN 61000-3-3
- BS EN 61547
- REACH Regulation (EC) No. 1907/2006

SENSORS - Two Mode PIR

The Solar street light fitted with a PIR (Passive Infrared Sensor) have Two Modes/settings available on the front of the sensor housing.

Fig 12.

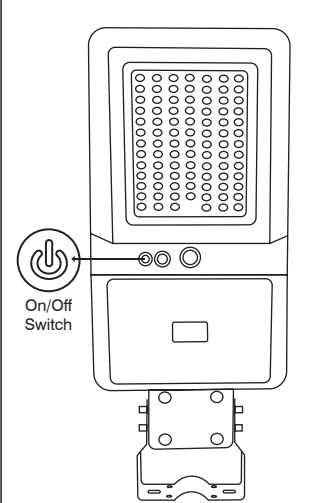
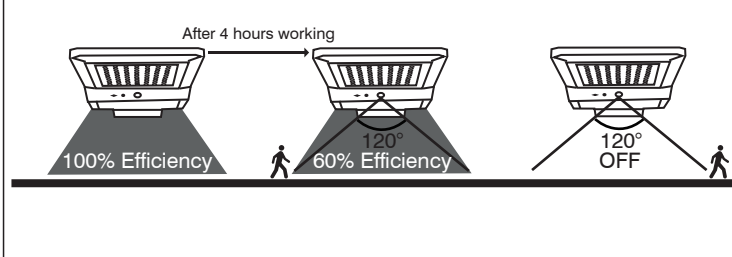


Fig 12. Please press the button on the lamp to filter through different modes.

Press once for Mode A.
Press twice time for Mode B.
Press three times for off.

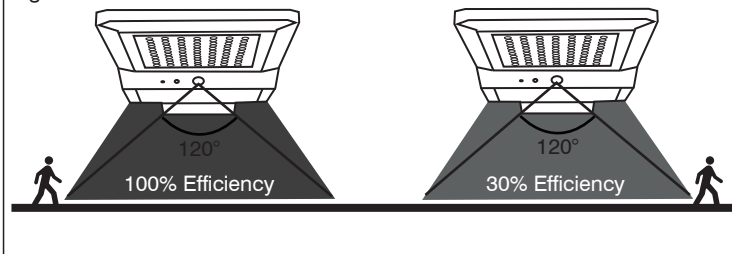
Fig 13.



MODE: A - Constant Light

Fig 13. Press On/Off button once or use the remote control and fitting will automatically turn on at night. Maintaining 60% efficiency constantly for 4 hours, switching to Sensor Mode.

Fig 14.



MODE: B - Sensor Mode

Fig 14. Press On/Off button twice or use the remote control and fitting will automatically turn on at 100%, full efficiency when motion is detected in the range ≤12mtrs. Switching to 30% efficiency after 20 seconds of no motion.

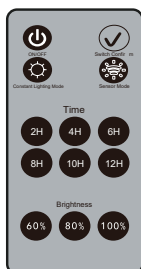
1. Above modes are default settings. Alternative settings can be added through the remote control. Settings made from the remote control override MODE A & MODE B made using the fitting and visa versa.
2. Mode A & B cannot both be set to Constant or Sensor Mode at the same time.
3. After fittings gets a restart, it will continue to function in the last working mode.

Fig 15.

Remote control distance ≤12m - For unlimited fittings in that radius

The fitting will flash once each time a button is pressed, indicating each setting is set successfully.

USING REMOTE CONTROL:



Mode: A - Constant Lighting

- Time and brightness are both adjustable (Fig 15.)

1. Press button "Constant Lighting Mode";
2. Press button "Time 2H".
3. Press button "Brightness 60%", **Example:** At night, fitting automatically turns on at 60% efficiency for 2hrs, then switching to Sensor Mode.

Mode: B - Sensor Mode

(Fig 15.)

1. Press button "Sensor Mode";
2. Press button "Brightness 60%", **Example:** Fitting automatically turns on at 60% efficiency when motion is detected in the ≤12mtrs range. Switching to 20% efficiency after 20 seconds of no motion.



Errors & Omissions excluded.

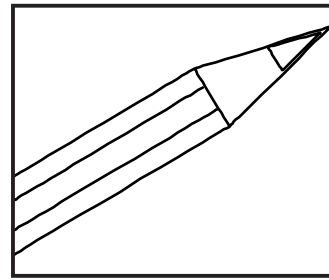
Specification is subject to change without notice.

GENERAL INFORMATION

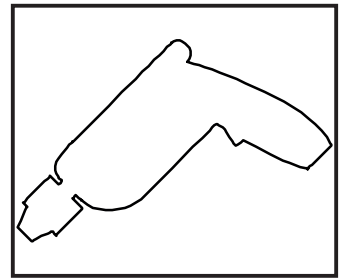
PLEASE READ INSTRUCTION BEFORE COMMENCING INSTALLATION AND RETAIN FOR FUTURE REFERENCE. Electrical products can cause death or injury, or damage to property. If in any doubt about the installation or use of this product, consult a competent electrician.

- If this product is being fitted as a replacement for an existing wired installation, the wiring must be isolated in accordance with the latest IET Wiring Regulations, BS7671. If in doubt consult a qualified electrician.
- Before commencing installation, ensure the fitting is complete with the fixings required.
- When installing the fitting please note the position of any pipes or wiring behind the fixed surface to prevent the risk of damage.
- With all painted/plated products some shade variation may occur. Please ensure products are checked before fitting.
- The LED light source is replaceable by professionals only.
- The manufacturer reserves the right to improve the product specification without prior notice.

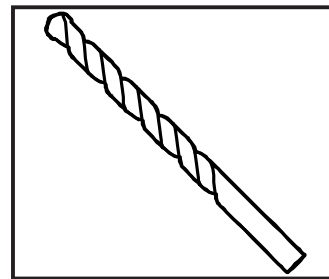
INSTALLATION TOOLS



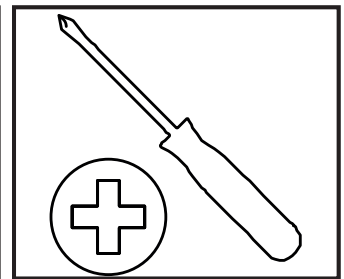
Pencil



Drill



Suitable Drill Bit



Cross-Head Screwdriver

INSTALLATION A- Straight Pole

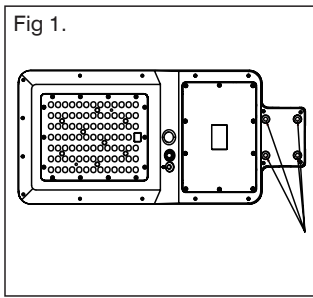


Fig 1.

Fig 1. Make sure the 4 bottom screws are tightened.

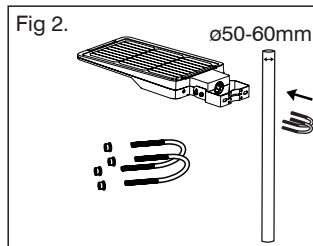


Fig 2.

Fig 2. Remove bolts from U-brackets, insert U-bracket through the pole then into the lamp bracket

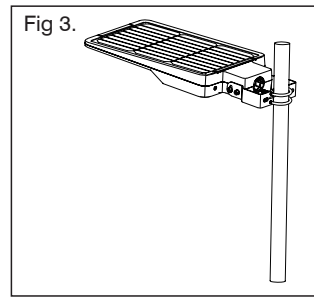


Fig 3.

Fig 3. Tighten screws to fix lamp onto the pole (size ø50-60mm).

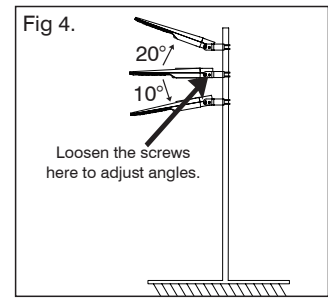


Fig 4.

Fig 4. Loosen screws and adjust angle position as needed.

INSTALLATION B- Curved Pole

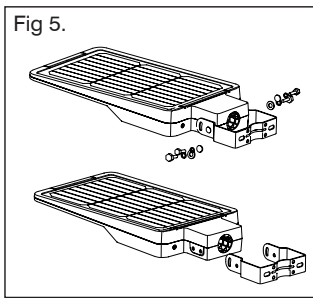


Fig 5.

Fig 5. Loosen the screws and remove the U-shaped bracket

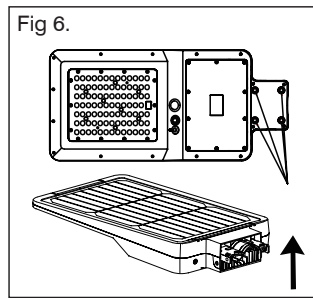


Fig 6.

Fig 6. Loosen all four screws enough to fit pole

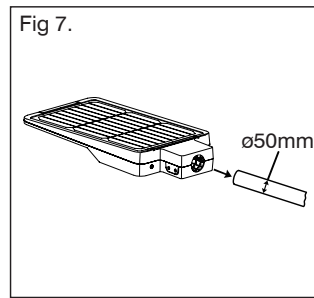


Fig 7.

Fig 7. Screw fitting onto the pole

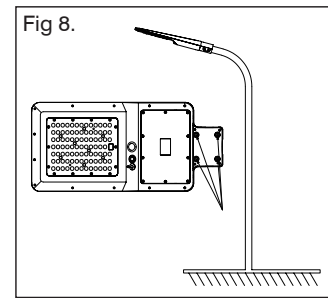


Fig 8.

Fig 8. Adjust & balance, secure the fitting by tightening all four screws

INSTALLATION C- Wall Mount

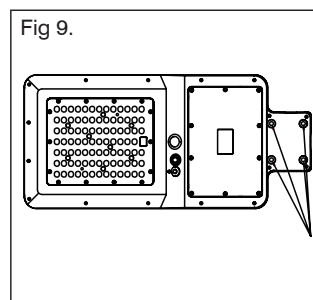


Fig 9.

Fig 9. First, make sure the 4 bottom screws are tightened.

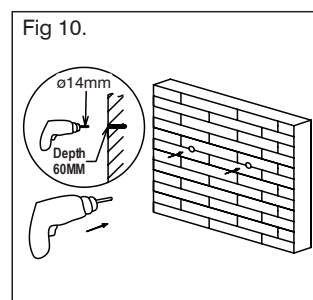


Fig 10.

Fig 10. Drill 2 holes, ø14mm, depth 60mm, 104mm apart.

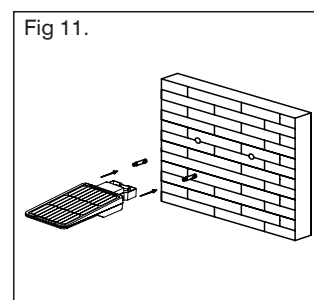


Fig 11.

Fig 11. Use 2 Rawl plugs and 2 screws, fix the lamp on the wall.

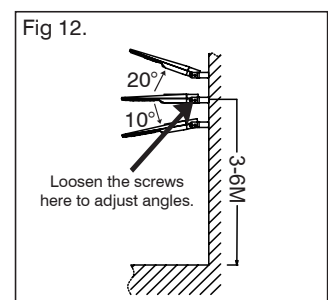


Fig 12.

Fig 12. Loosen screws and adjust angle position as needed.