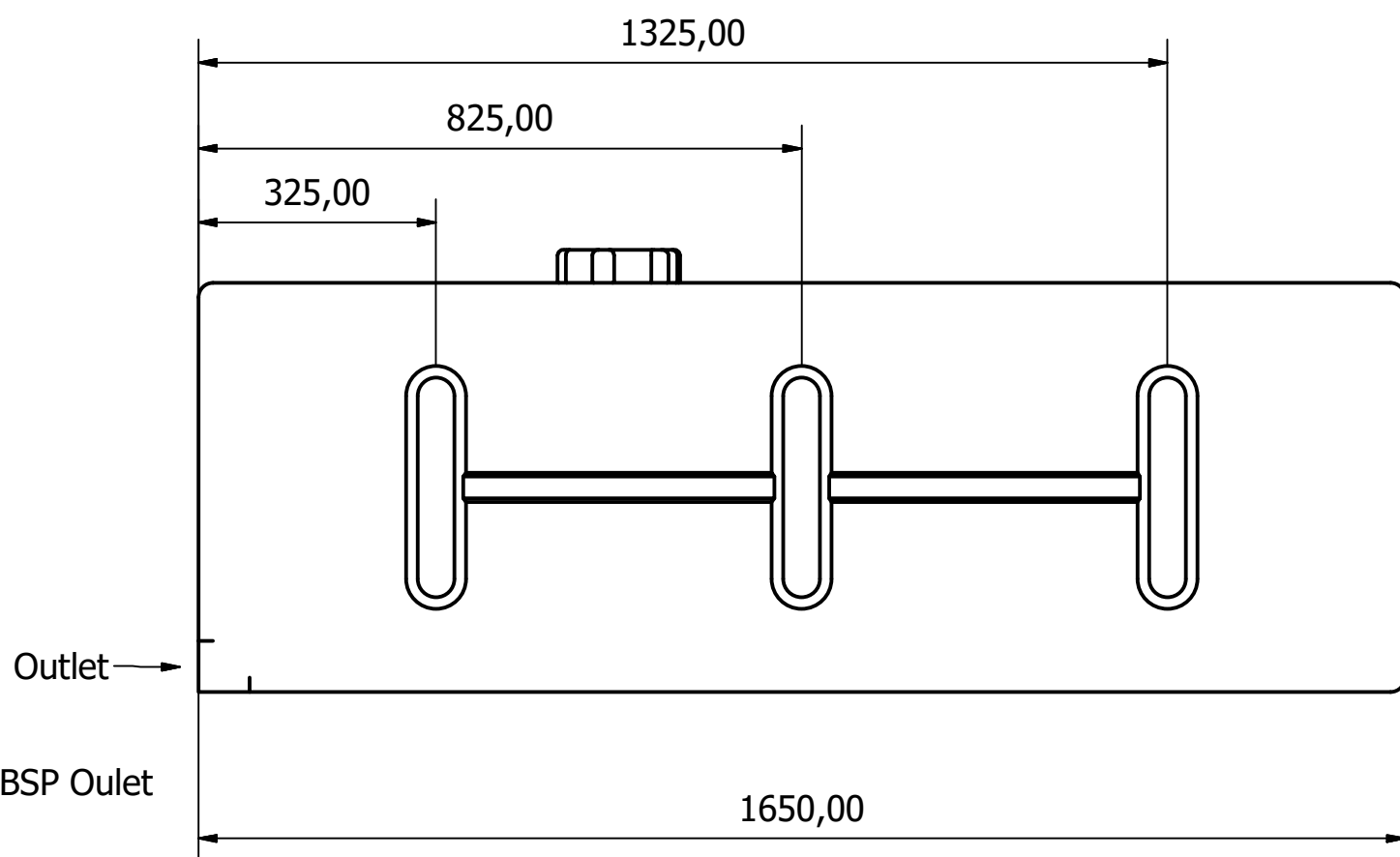
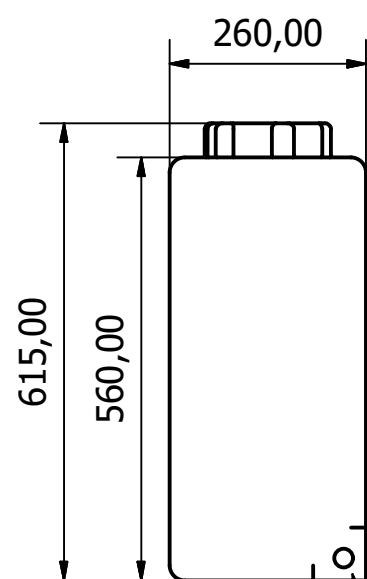
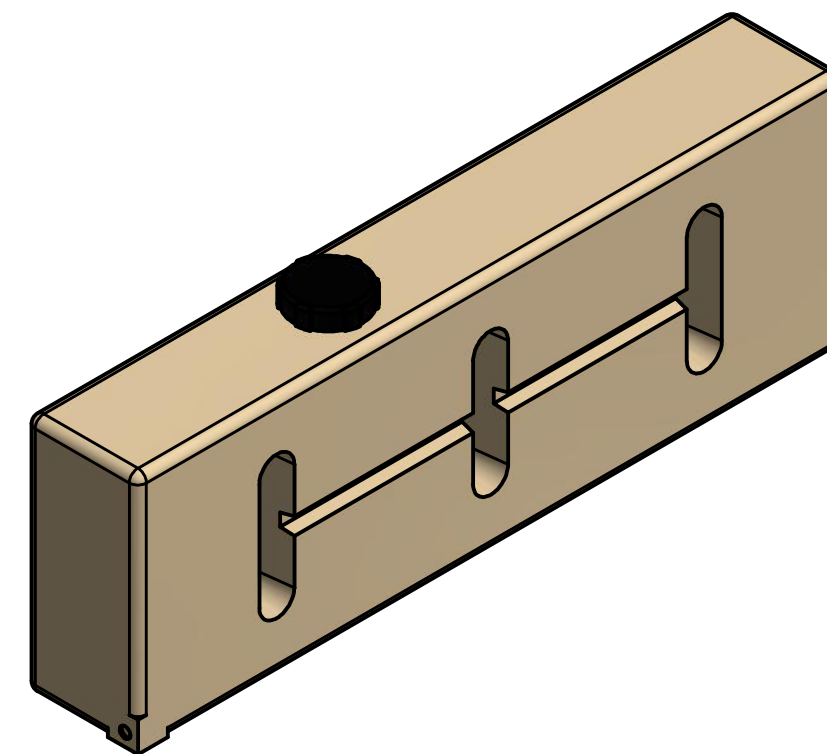
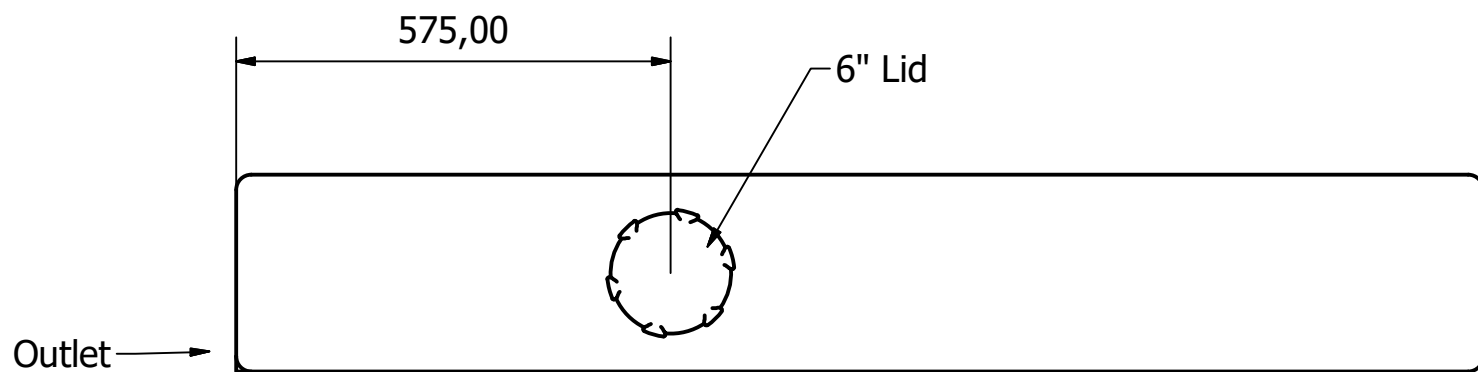


DO NOT SCALE UNLESS STATED - IF IN DOUBT ASK

|           |  |
|-----------|--|
| Material  |  |
| Qty Req'd |  |



1.1/2" BSP Outlet

**wydale**  
 Wydale Plastics Ltd  
 Cathole Bridge Rd,  
 Crewkerne,  
 Somerset,  
 TA18 8RF  
 Tel: 01460 73212  
 Fax: 01460 77348

CUSTOMER: Wydale Plastics Ltd  
 PROJECT: 200 Litre Slimline Upright  
 DRAWN DATE: 15/05/2020  
 DESIGNED BY: joshv  
 CHECKED BY:

THIS DRAWING AND THE INFORMATION THEREON IS THE SOLE PROPERTY OF WYDALE PLASTICS LTD AND SHALL NOT BE COPIED OR REPRODUCED WITHOUT THE CONSENT OF WYDALE PLASTICS LTD. DIMENSIONS ARE ALL IN MM UNLESS OTHERWISE STATED. ALL TOLERANCES +/- 1MM UNLESS STATED.

SHEET 1 OF 1  
 REV A  
 DRAWING NO:

| REV | ZONE | DESCRIPTION | DATE |
|-----|------|-------------|------|
|     |      |             |      |