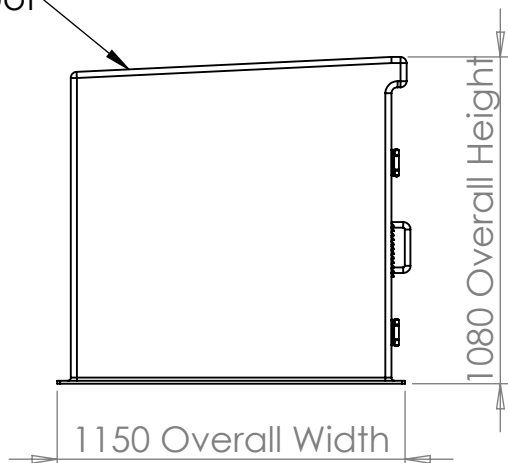
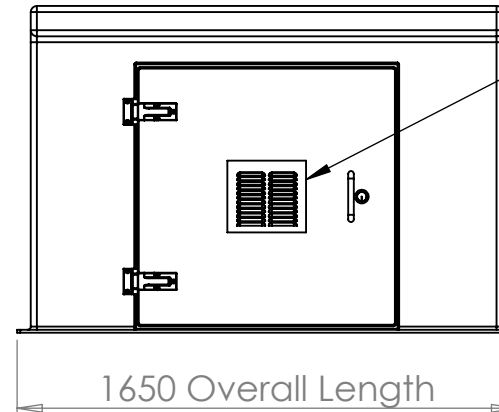


Sloped roof



Louvered vent



TITLE		PWH1500	
DRAWN BY	J. Ellison	DATE	17/12/2021
CUSTOMER	CUSTOMER		

Foundation Requirements:	
The foundation area must be no less in length and width than the external dimensions of the enclosure. The foundation must be constructed so as to be capable of supporting the weight of the enclosure and equipment contained within it. The foundation must be continuous and be no more than ±2mm over any given metre.	
ALL DIMENSIONS +/- 5mm UNLESS OTHERWISE STATED	A4

DESCRIPTION:	
PWH1500 c/w Louvered vent	
ALL DIMENSIONS IN MM - DO NOT SCALE	

DATE	VERSION	NOTES
17/12/2021	A	FIRST ISSUE

TANK SPECIFICATION :	
INTERNAL DIMENSIONS	1500 x 1000 x 1000mm
EXTERNAL DIMENSIONS	1650 x 1150 x 1080mm
NOM. CAPACITY	1500 Litres
DRY WEIGHT	78 KG
INSULATION THICKNESS	25mm
MATERIAL	GRP



SCALE:1:25 SHEET 1 OF 2

6

5

4

3

2

1

D

D

C

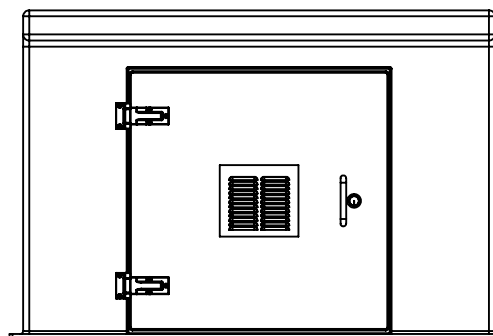
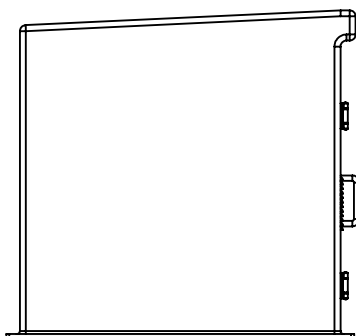
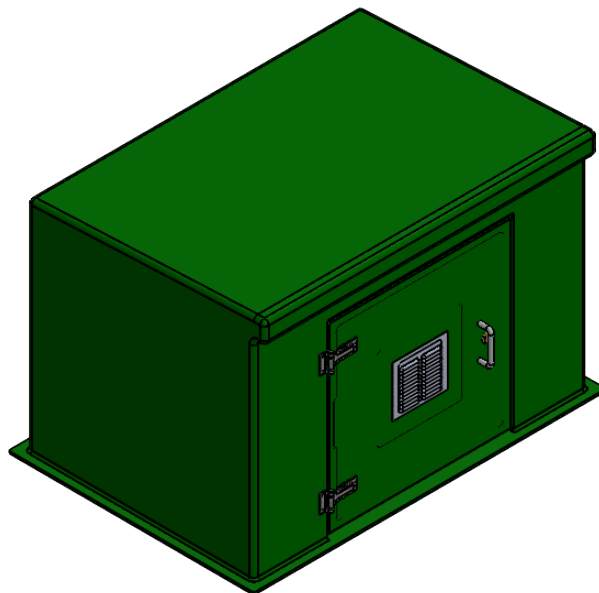
C

B

B

A

A



TITLE
PWH1500 Green

Foundation Requirements:
The foundation area must be no less in length and width than the external dimensions of the enclosure. The foundation must be constructed so as to be capable of supporting the weight of the enclosure and equipment contained within it. The foundation must be continuous and be no more than ±2mm over any given metre.

DESCRIPTION:
PWH1500 c/w Louvered vent, Green

DATE	VERSION	NOTES
17/12/2021	A	FIRST ISSUE

TANK SPECIFICATION :

INTERNAL DIMENSIONS	1500 x 1000 x 1000mm
EXTERNAL DIMENSIONS	1650 x 1150 x 1080mm
NOM. CAPACITY	1500 Litres
DRY WEIGHT	78 KG
INSULATION THICKNESS	25mm
MATERIAL	GRP



DRAWN BY **J. Ellison** DATE **17/12/2021**

CUSTOMER **CUSTOMER**

ALL DIMENSIONS +/- 5mm UNLESS OTHERWISE STATED

A4

ALL DIMENSIONS IN MM - DO NOT SCALE

SCALE:1:25 SHEET 2 OF 2

6

5

4

3

2

1