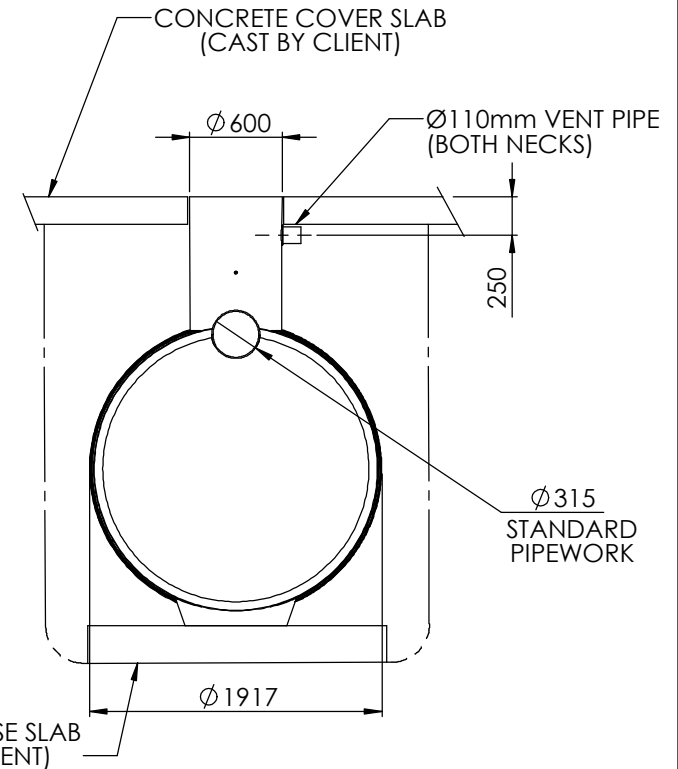
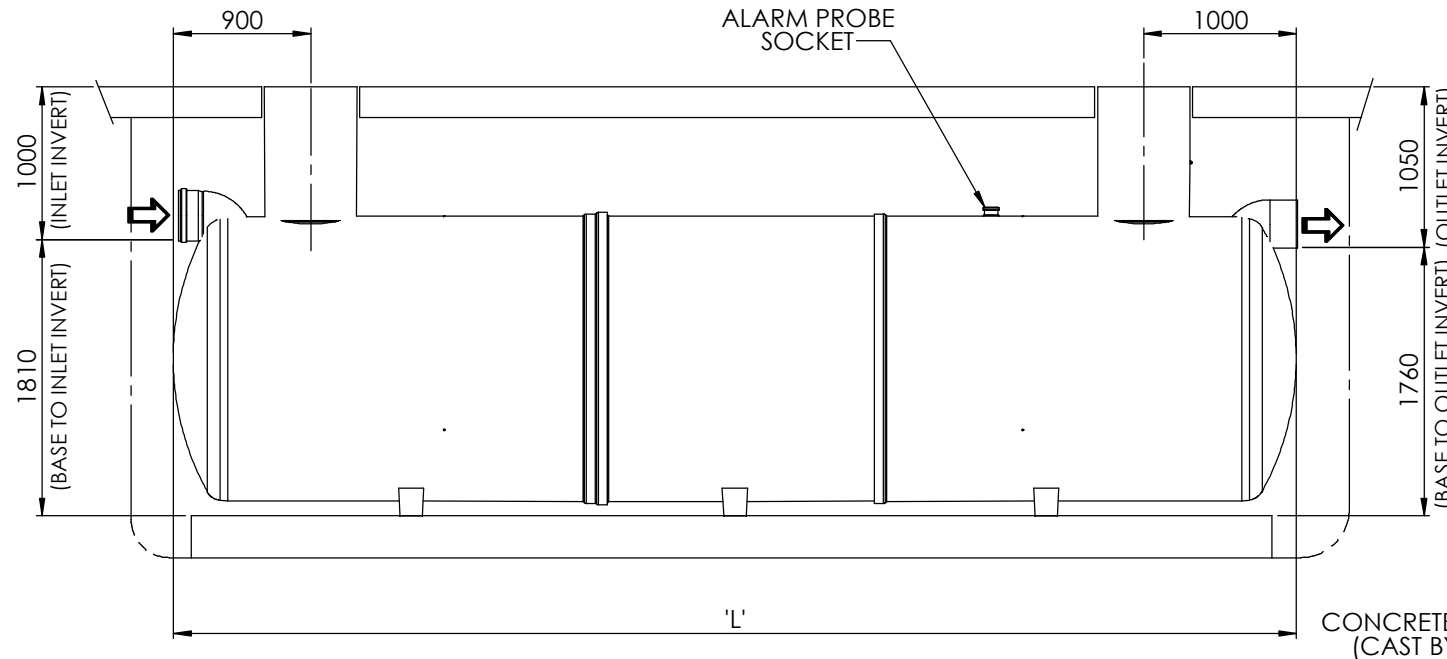
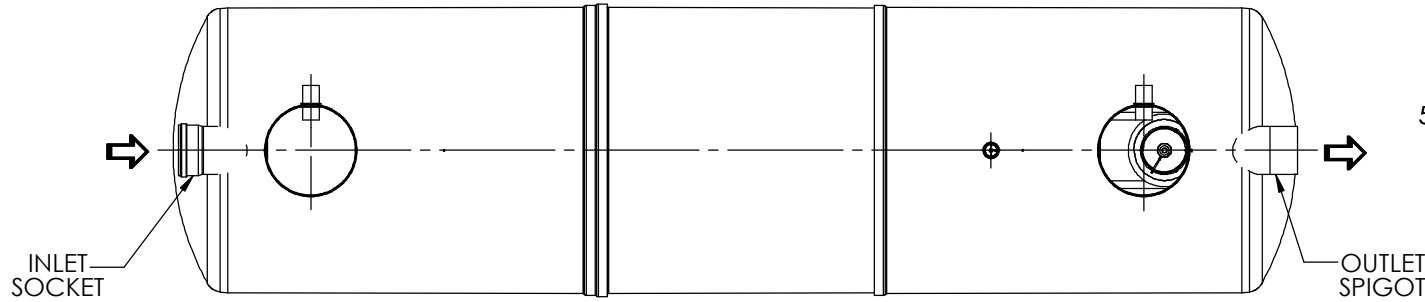


UNIT REF.	NOMINAL FLOW RATE (L/s)	APPROX. EMPTY WEIGHT (kg)	OVERALL LENGTH 'L'
NSFA020	20	575	3230
NSFA030	30	665	3960
NSFA040	40	740	4750
NSFA050	50	985	5790
NSFA065	65	1145	7360

**NOTES:-**

1. INLET/OUTLET PIPES ARE PLAIN PIPE Ø315mm PVCu. THE STANDARD EN858 STATES MINIMUM CONNECTION SIZES, UNITS ORDERED WITH DIFFERENT SIZED CONNECTIONS ARE NOT FULLY COMPLIANT WITH THE STANDARD.
2. EXTENSION NECKS FOR DEEPER INVERTS CAN BE PROVIDED IN 0.5m INCREMENTS, FOR ON SITE ASSEMBLY. MAXIMUM 2.0m INVERT RECOMMENDED.
3. ALL UNITS REQUIRE APPROPRIATE COVER AND FRAME TO SUIT APPLIED LOADINGS.
4. THIS DRAWING SHOULD BE USED FOR DIMENSIONAL INFORMATION ONLY. IT IS ESSENTIAL THAT THIS DRAWING IS READ IN CONJUNCTION WITH INSTALLATION GUIDELINES SUPPLIED WITH UNIT. (COPIES ARE AVAILABLE FROM OUR SALES DEPARTMENT).
5. THIS DRAWING IS ALSO AVAILABLE ON OUR WEBSITE [www.kingspanenv.com](http://www.kingspanenv.com)



Issue	Date	Drawn by	Description	Material : Various	Tolerance : ± 5mm	Drawing : DS0911P	Page 1 of 1
04	03.04.18	T.Kelly	CC1425 - Class 2 Reference Deleted	Finish : n/a	Thickness : n/a	NSFA020 - NSFA065 Full Retention Separators	
03	29.10.14	T.Kelly	CC1151 - Cases Changed	Weight : n/a	Surface Area : n/a		
02	29.01.09	JC	Update Border				
All dimensions in mm		Scale: Not to scale		Kingspan reserve the right to alter the details of this drawing without prior notice. This drawing is copyright and may not be reproduced or used without the written permission of Kingspan.			