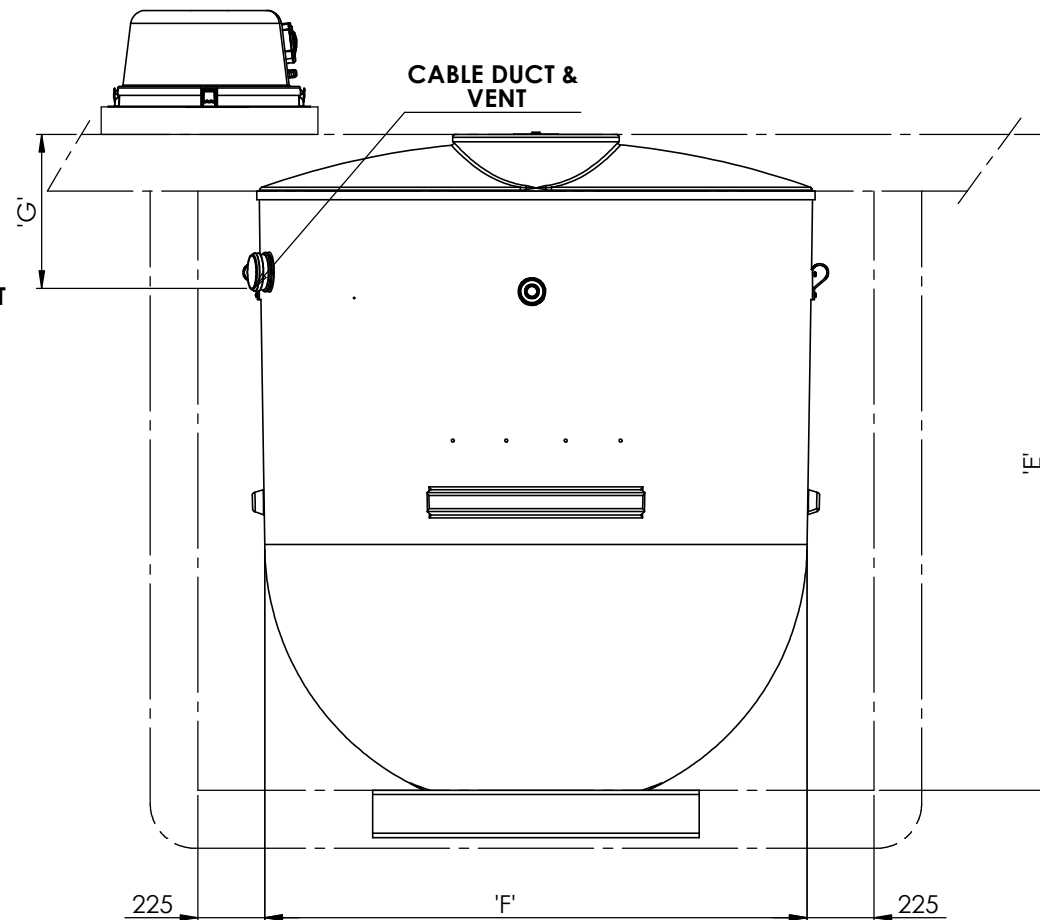
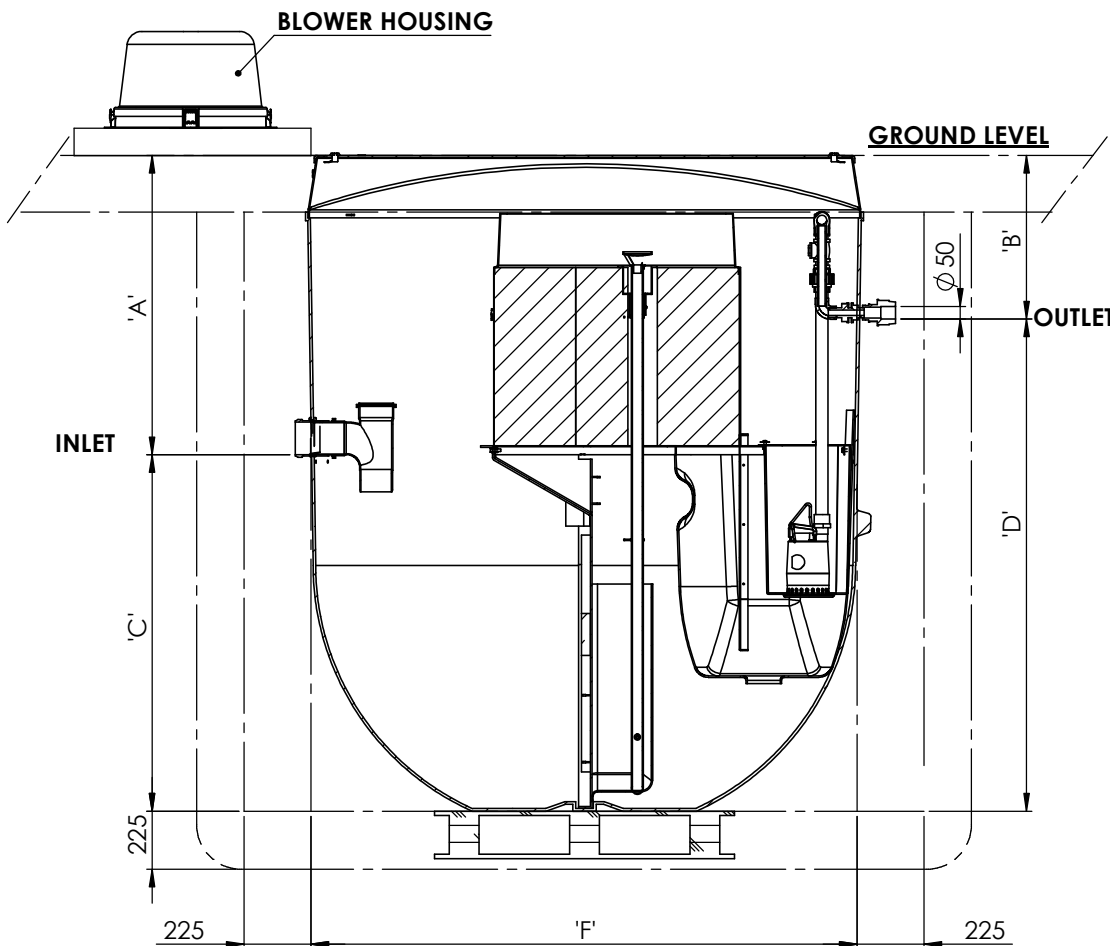


Notes:

1. This drawing is for 'Dimensional Information Only'. It is essential that this drawing is read in conjunction with the 'Installation Guidelines' supplied with the unit. (Copies available from our sales department).
2. All Pipe connections are $\varnothing 110.0\text{mm}$ PVCu.
3. All units require appropriate 'Cover' & 'Frame' to suit site loadings (standard cover supplied).
4. Blower assembly mounted externally, within 13m of treatment plant.
5. $\varnothing 160\text{mm}$ Inlet Option - By Exyernal Adaptor Only.

Unit Dimension Chart								
Unit	Dim 'A' (mm)	Dim 'B' (mm)	Dim 'C' (mm)	Dim 'D' (mm)	Dim 'E' (mm)	Dim 'F' (mm)	Dim 'G' (mm)	Unit Weight (Kgs)
BTA-1P2AK	1000	550	1200	1650	2200	1850	520	260
BTA-1P4AK	1500	550	1200	2150	2700	1850	520	280



Please check with Kingspan Water & Energy that this drawing is the latest issue

Issue	Date	Drawn by	Approved by	Description
02	11.02.22	D. Musvaburi	D.M	ECN1580 - Weights updated and cable duct position updated
01	12.10.21	D. Musvaburi	D.M	Initial Issue

LN Number : 1010618
 Finish :
 Weight : 912.80 Kg
 Modelled By : Name

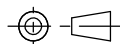
Tolerance (unless stated) :
 Thickness : n/a
 Surface Area : m²
 Material : Various

Drawing : DS1381 - BTA1 IPS

Page 1 of 1

BTA1 Treatment Plant (IPS)

All Dimensions In mm Scale: Do Not Scale



Third Angle Projection

Kingspan Water & Energy reserve the right to alter the details of this drawing without prior notice. This drawing is copyright and may not be reproduced or used without the written permission of Kingspan Water & Energy

