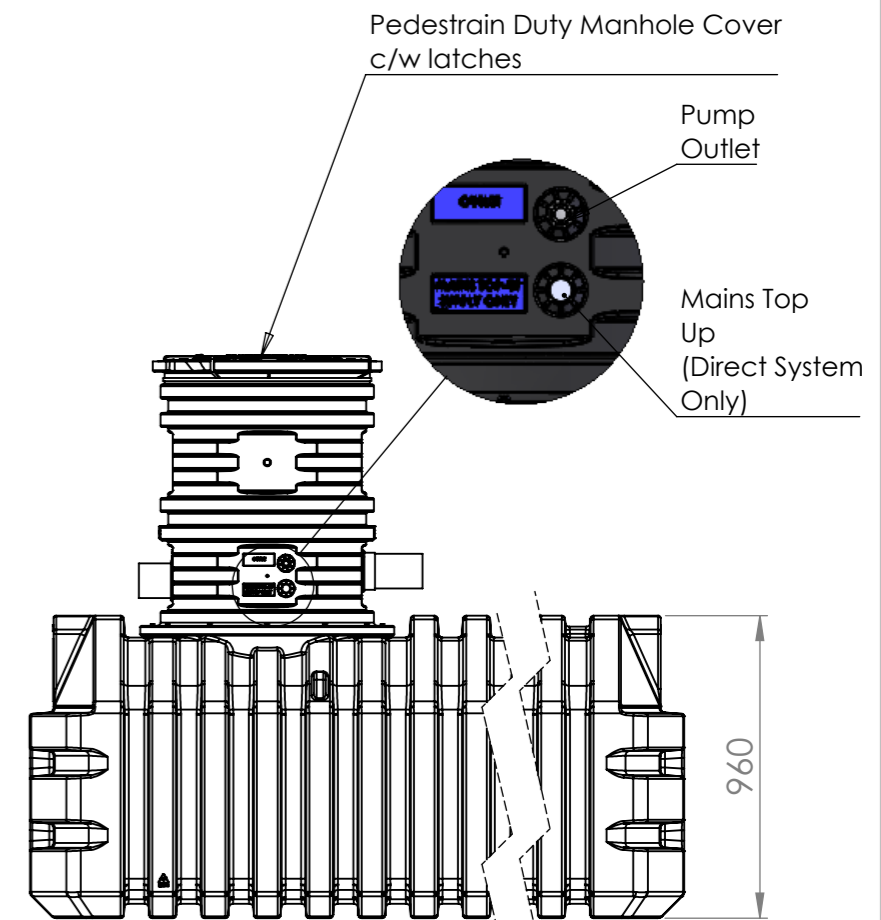
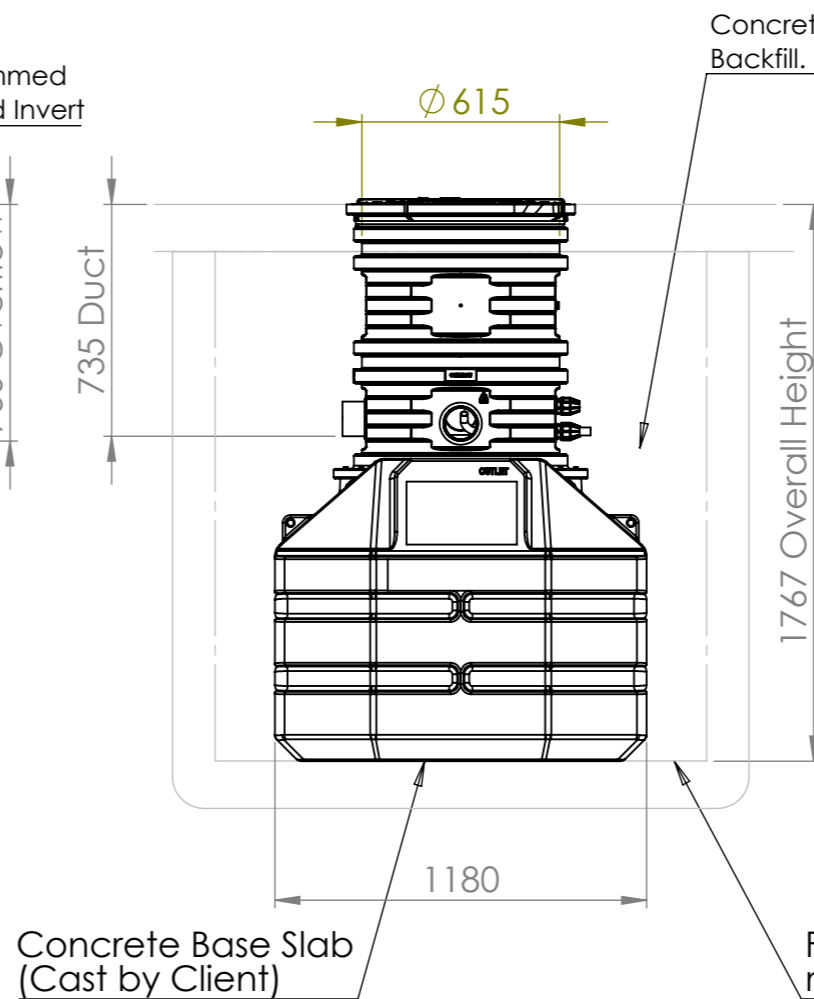
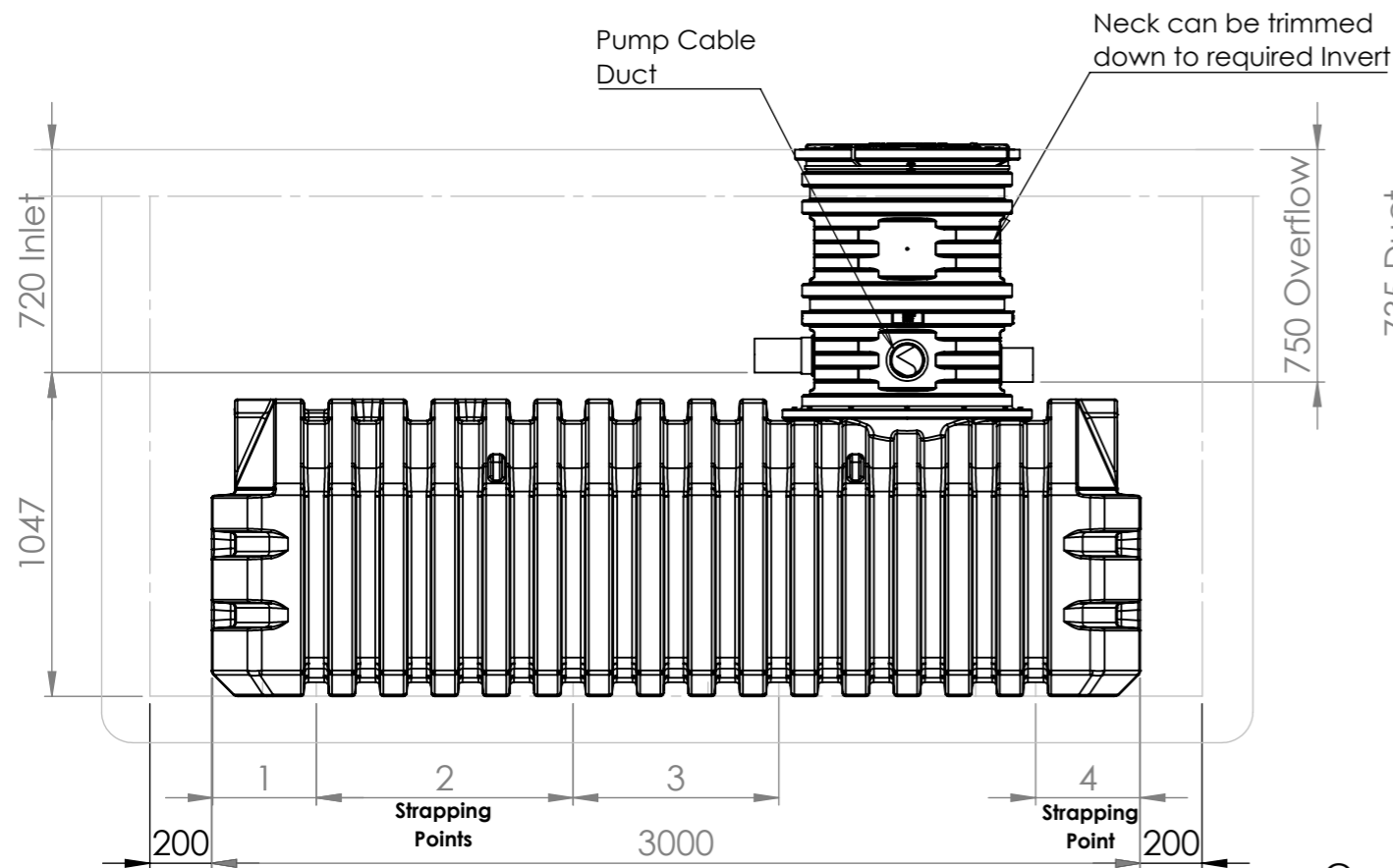


Notes:

1. This drawing is for 'Dimensional Information' only. It is essential that this drawing is read in conjunction with the 'Installation Guidelines' supplied with the unit (copies available from the sales department)
2. Inlet/Overflow pipe connections are 110 mm PVCu.
3. Pump Outlet and Mains Top up connections are Ø25 mm (3/4")
4. Electrical and water connections from the tank to appliances to be the responsibility of others.
5. Tank has a trimmable Inlet Invert from 220mm to 720mm. Neck can be trimmed at 100mm increments to required Invert. Refer to drawing DS1296P.
6. Keys supplied to open the Pedestrian duty covers latches.
7. Dry and Wet Site: Backfill with Concrete
8. Tank Weight (Empty) - 200 Kgs

Strapping Positions				
Unit	1	2	3	4
GRW080	323mm	720mm	720mm	323mm



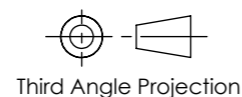
For dry ground installations water table must be below this level at all times.

Please check with Kingspan Environmental that this drawing is the latest issue				
Issue	Date	Drawn by	Approved by	Description
04	29/05/22	JMcM	JMcM	ECN1609 - AquaHarvest Domestic
03	21/01/21	DM		CC1545 - Peashingle removed

LN Number :	Tolerance (unless stated) :
Finish :	Thickness : n/a
Weight : See Notes Kgs	Surface Area : m ²
Modelled By : Name	Material : Various

Drawing : DS1293P Page 1 of 1
GRW080 - AquaHarvest Domestic - 2350L

All Dimensions In mm Scale: Do Not Scale



Kingspan Water & Energy reserve the right to alter the details of this drawing without prior notice. This drawing is copyright and may not be reproduced or used without the written permission of Kingspan Water & Energy

