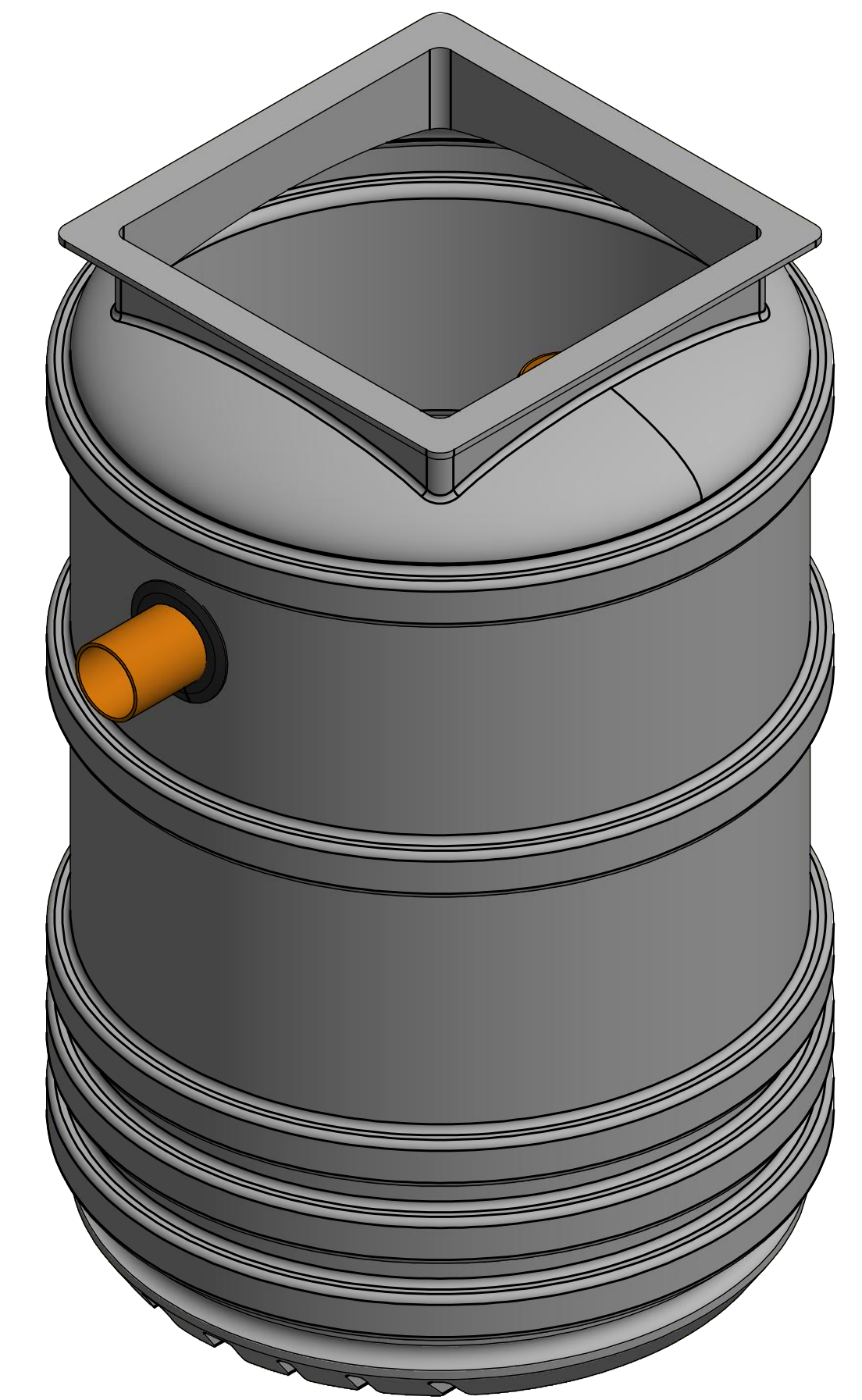


SECTION A-A
SCALE 1:7.5



Rev	Date	Description
THIRD ANGLE PROJECTION		
THIS DRAWING IS CONFIDENTIAL AND MAY NOT BE USED, COPIED OR DISCLOSED TO ANYONE WITHOUT THE PERMISSION OF D.P. & T.		
PRODUCT CODE GT1200		PRODUCT DESCRIPTION GREASE TRAP RANGE
Drawn By:	R.U.	Checked By: C.W.
Approved By:	C.W.	REV 1
Drawn Date:	15/06/2022	Checked Date: 15/06/2022
Approved Date:	15/06/2022	SIZE A3
		SHEET 1 OF 1 SCALE 1:7.5