



MainSaver

Home Pressure System

Product Overview

The MainSaver is specifically designed for direct installation on mains systems (unvented cylinders and combination boilers) where the mains pressure is greater than 2.0 bar but water flow is unacceptable.

For the avoidance of doubt, you must have at least 2 bar of pressure on your mains line for the system to operate correctly.

The MainSaver system is installed onto your existing mains water supply line. Once installed the vessel fills with water under the existing 2 bar pressure supplied on your mains supply.

The MainSaver now has a reservoir of water that it can draw from for distribution around your property.

The MainSaver can be supplied with multiple vessels for properties that have a greater demand.

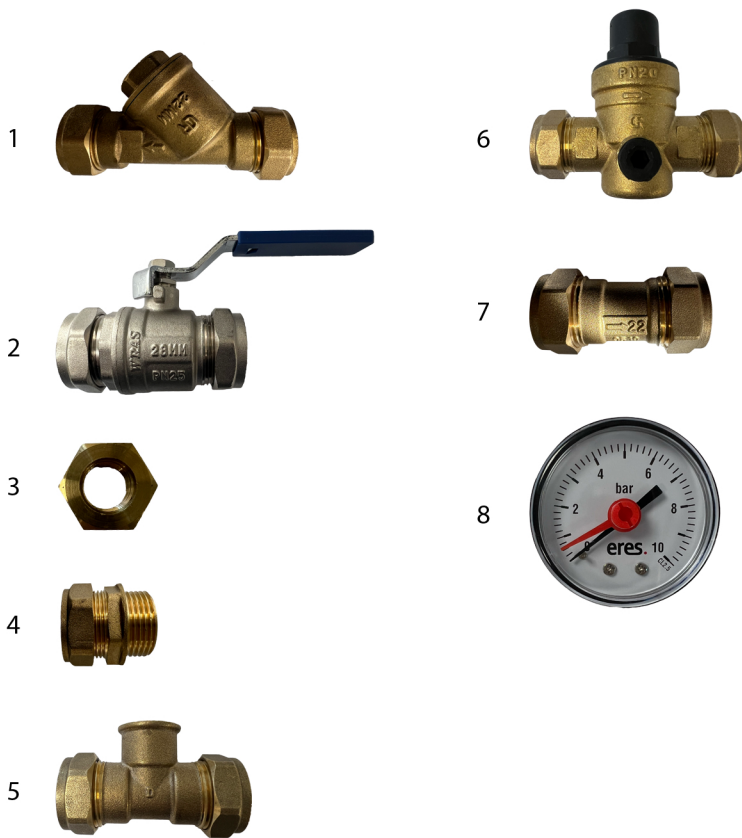
Features

- 5 year guarantee
- Up to 80 litres/minute per vessel
- 100 - 2000 litre pressure vessel options
- Minimal maintenance required
- Silent operation
- WRAS approved
- Consumes no electricity
- Robust construction and components
- Long life butyl diaphragm
- Integral strainer

Options

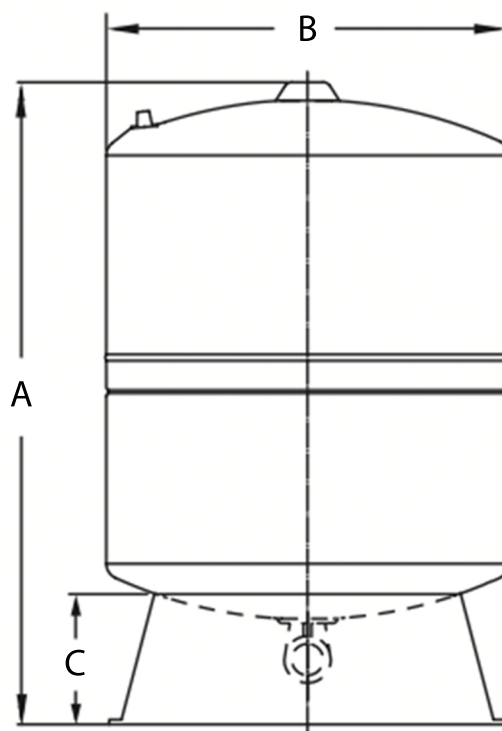
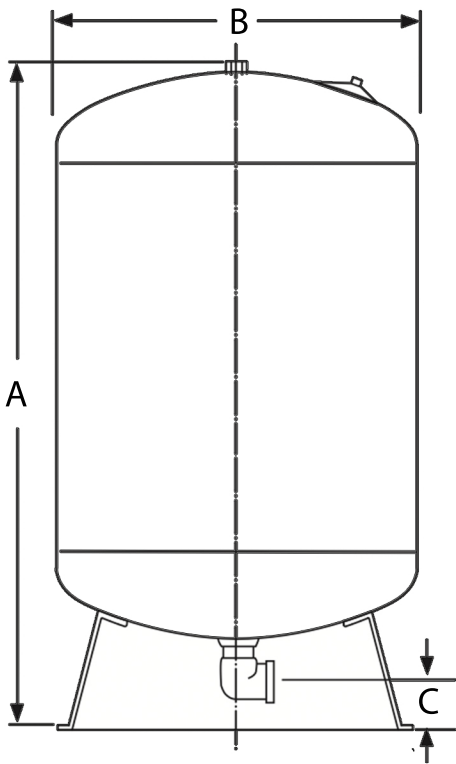
- One, two, or three vessel systems available
- Thermal insulating jackets available

Included Fittings



Part Number	Description	Qty
1	Y pattern Inline strainer	1
2	Lever isolating ball valve	1
3	1/4" to 1/2" BSP reducing bush	1
4	MainSaver vessel connector fitting	1
5	T-piece	1
6	6 bar pressure regulating valve	1
7	Double check valve	1
8	1/4" BSP pressure gauge	2

MainSaver Vessel								
General	WRAS approval				1501305 / 1901372			
	Approvals				WRAS / CE			
	Guarantee				5 Years			
Performance	Maximum working pressure				1000 kPa (10 bar)			
	Min/Max operating temperature				Min 4°C / Max 35°C			
	Max rated temperature				90°C			
Materials	Pressure Vessel				Epoxy coated mild steel			
	Membrane				Butyl rubber			
BSP	Nominal Volume		Dimensions					
			A		B		C	
	Litre	Gal	CM	Inches	CM	Inches	CM	Inches
Vertical Models								
MS-100LV	100	26.4	80.40	31.65	43.00	16.93	12.90	5.08
MS-130LV	130	34.3	107.40	42.28	43.00	16.93	12.90	5.08
MS-150LV	150	40.0	93.80	36.38	53.00	20.87	13.85	5.45
MS-200LV	200	50	105.56	41.561	53.29	21.03	5.68	2.23
MS-250LV	250	60	122.75	48.33	53.37	21.03	5.68	2.23
MS-300LV	300	80	151.27	59.56	53.37	21.03	5.38	2.23
MS-450LV	450	120	155.07	61.05	66.06	26.01	6.43	2.53



35LV - 150LV

Position Number	Description
1	Lever isolating ball valve (optional)
2	Y pattern Inline strainer
3	T-piece with gauge
4	Double check valve
5	6 bar pressure regulating valve
6	T-piece (not provided)
7	Vessel
8	Vessel mount with access opening

