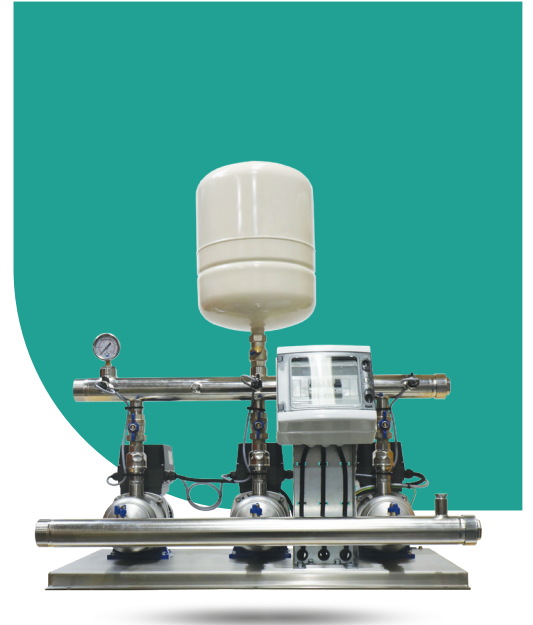


AQUABOOST

SP3V-5HM08S-VARIFLO-24

The Aquaboost SP3V-5HM08S-VARIFLO-24 booster set utilises WRAS approved components* and features three stainless steel multistage pumps mounted on a galvanised steel base plate. The pumps are operated by our advanced variable speed controller and will deliver a nominal flow rate of 5 m³/h (Per Pump) and nominal head pressure of up to 5 bar.

*WRAS & KIWA Regulation 4 approval pending



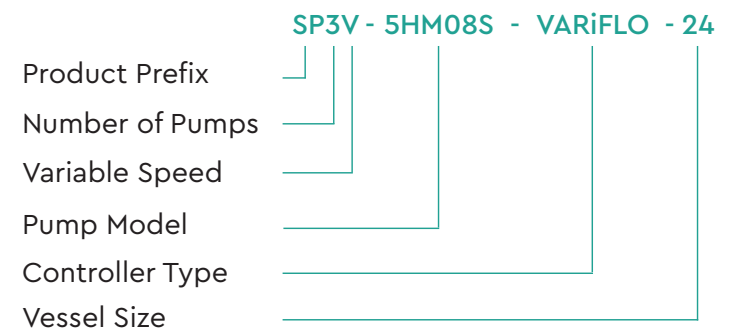
Features

- Flow rates up to 8.5 m³/h (per pump)
- Head pressure up to 4.9 Bar
- Variable speed pump control
- Duty-assist-standby and duty-assist-assist modes
- Full WRAS & KIWA Regulation 4 approval pending
- 304 Stainless Steel pumps
- 304/316 Stainless steel manifold assembly
- 24 litre pressure vessel with flow through isolation & drain valve
- Air cooled inverters
- BMS Volt free contacts
- External Low Water
- Electronic dry run protection
- AV mounts & Flexible connectors optional

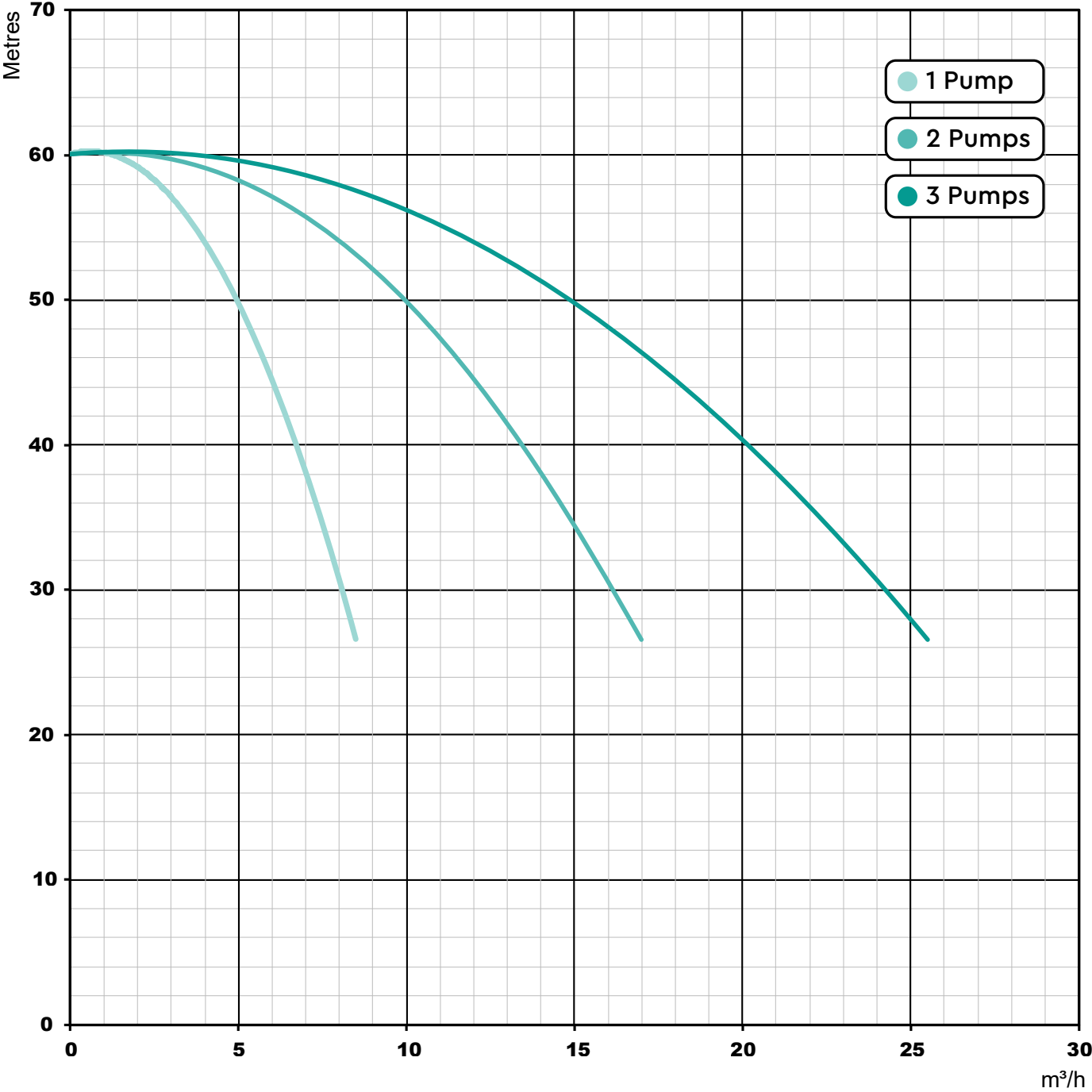
Applications

- Cold water pressure and flow boosting in a range of domestic, commercial and industrial applications

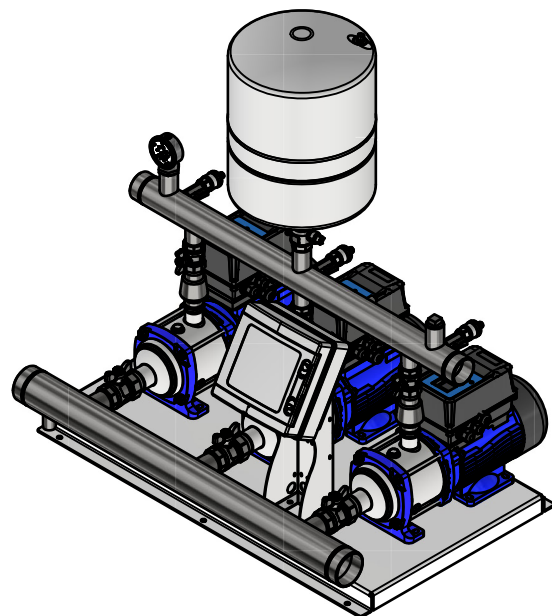
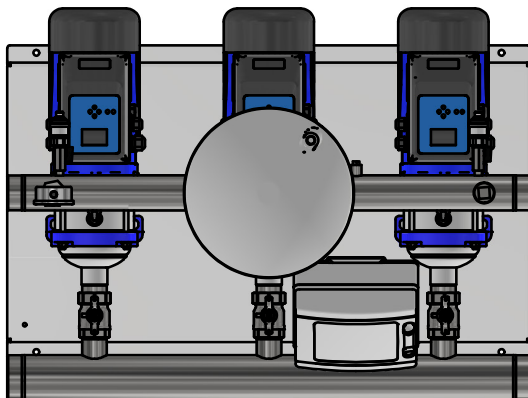
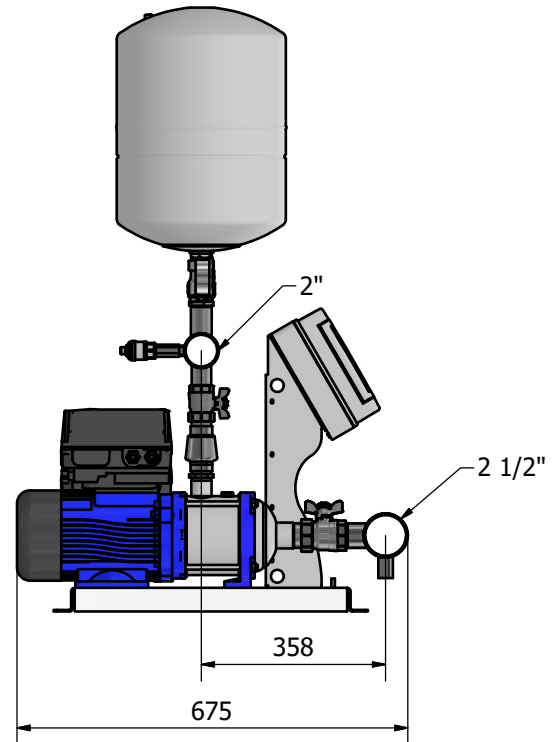
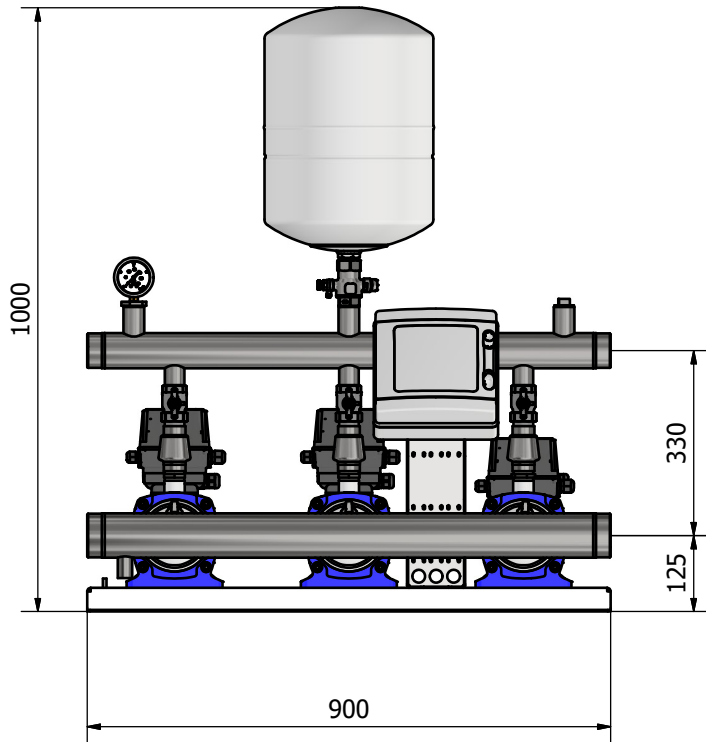
Product Code Structure



Pump Characteristic SP3V-5HM08S-VARiFLO-24



| Aquaboost Model | | SP3V-5HM08S-VARiFLO-24 62042 |
|-----------------|--------------------------------------|-------------------------------------|
| General | Warranty | 2 Years |
| | WRAS approval | Pending |
| | Conformity certification | CE / UKCA |
| Features | Dry run protection | ✓ |
| | Glycerine filled pressure gauge | ✓ |
| | Pump check valve(s) | ✓ |
| | BMS volt-free contacts | ✓ |
| Performance | Nominal head | 5 bar |
| | Maximum head (closed valve) | 6 bar |
| | Nominal flow rate | 5 m ³ /h (per pump) |
| | Maximum flow rate | 8.5 m ³ /h (per pump) |
| | Minimum static inlet pressure | 1 metre |
| | Maximum static inlet pressure | 10 metres |
| | Maximum ambient air temperature | Max 40 °C |
| | Water temperature range | Min 4 °C / Max 23 °C |
| | Maximum working pressure (kPa / bar) | 1000 kPa / 10 bar |
| Connections | Inlet | 2 1/2" BSP |
| | Outlet | 2" BSP |
| Manifold | Manifold construction | Stainless steel |
| | Pump isolation valves | Full bore, lever |
| Pump | Number of pumps | 3 |
| | Pump type | Multistage centrifugal (horizontal) |
| | Pump body | Stainless steel |
| | Impeller | Stainless steel |
| | Mechanical seal | EPDM / Silicon Carbide / Carbon |
| | Motor type | Induction (current overload sensor) |
| | Duty rating | Continuous (S1) |
| Electrical | Power supply / phase / frequency | 230 V / 1 / 50Hz |
| | Power consumption | 1.1 kW (per pump) |
| | Current - full load | 4.7 Amps (per pump) |
| Physical | Enclosure protection | IP55 |
| | Width | 900 mm |
| | Depth | 675 mm |
| | Height | 1000 mm |
| | Weight | 86 kg |



***Please add 32mm to the total height from the base of the pump when AV mounts are used.**

Stuart Turner Limited reserves the right to amend specifications without notice.

Stuart Turner Ltd, Henley-on-Thames, Oxfordshire RG9 2AD Tel: +44 (0) 1491 572655 Fax: +44 (0) 1491 573704
 TechAssist Helpline +44 (0) 800 31 969 80
www.stuart-turner.co.uk

Model No. SP3V-5HM08S-VARiFLO-24 Issue 4222-01-02