

Total Working Volume = 500 Litres

x = 1 (Pedestrian Duty)

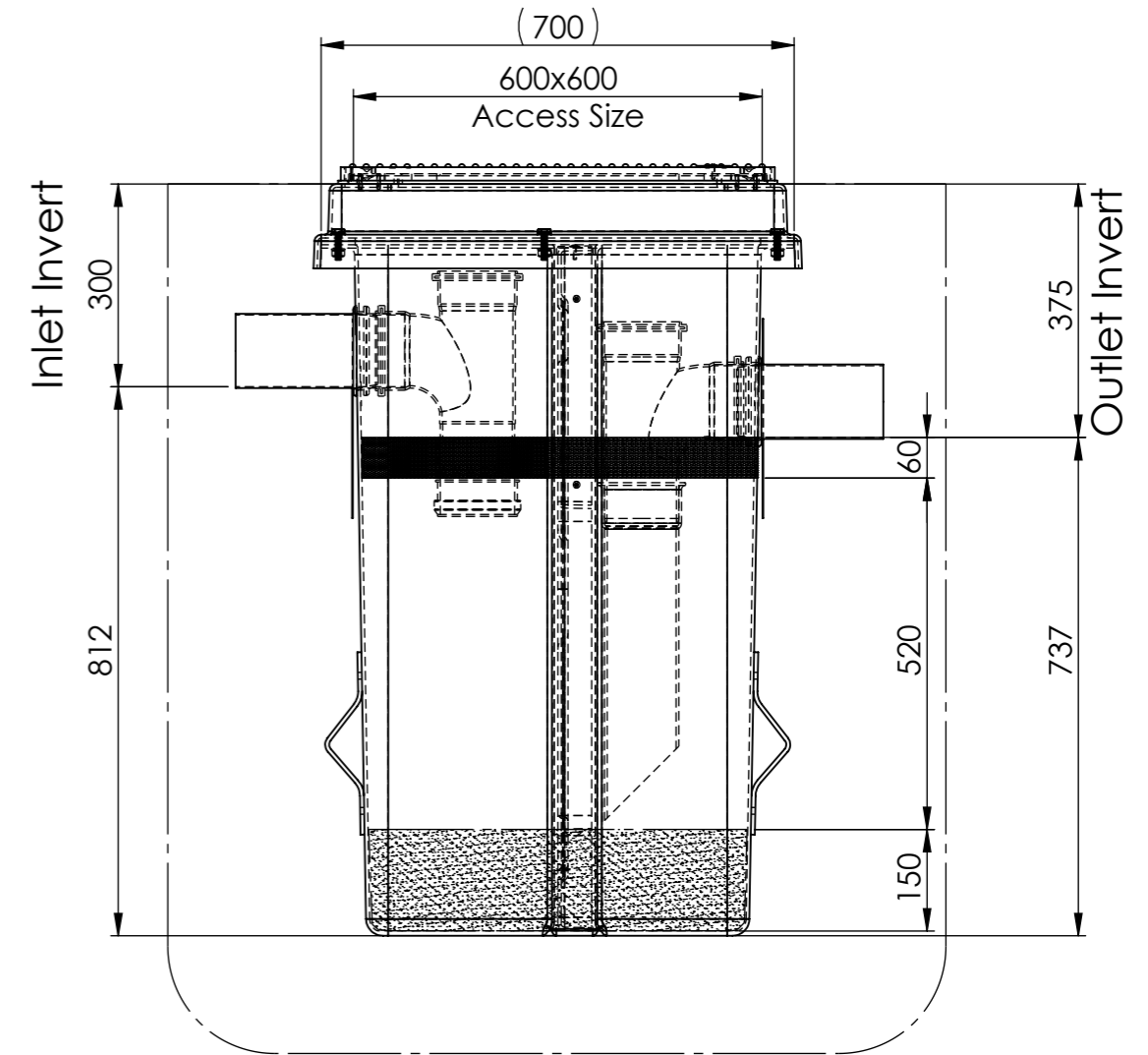
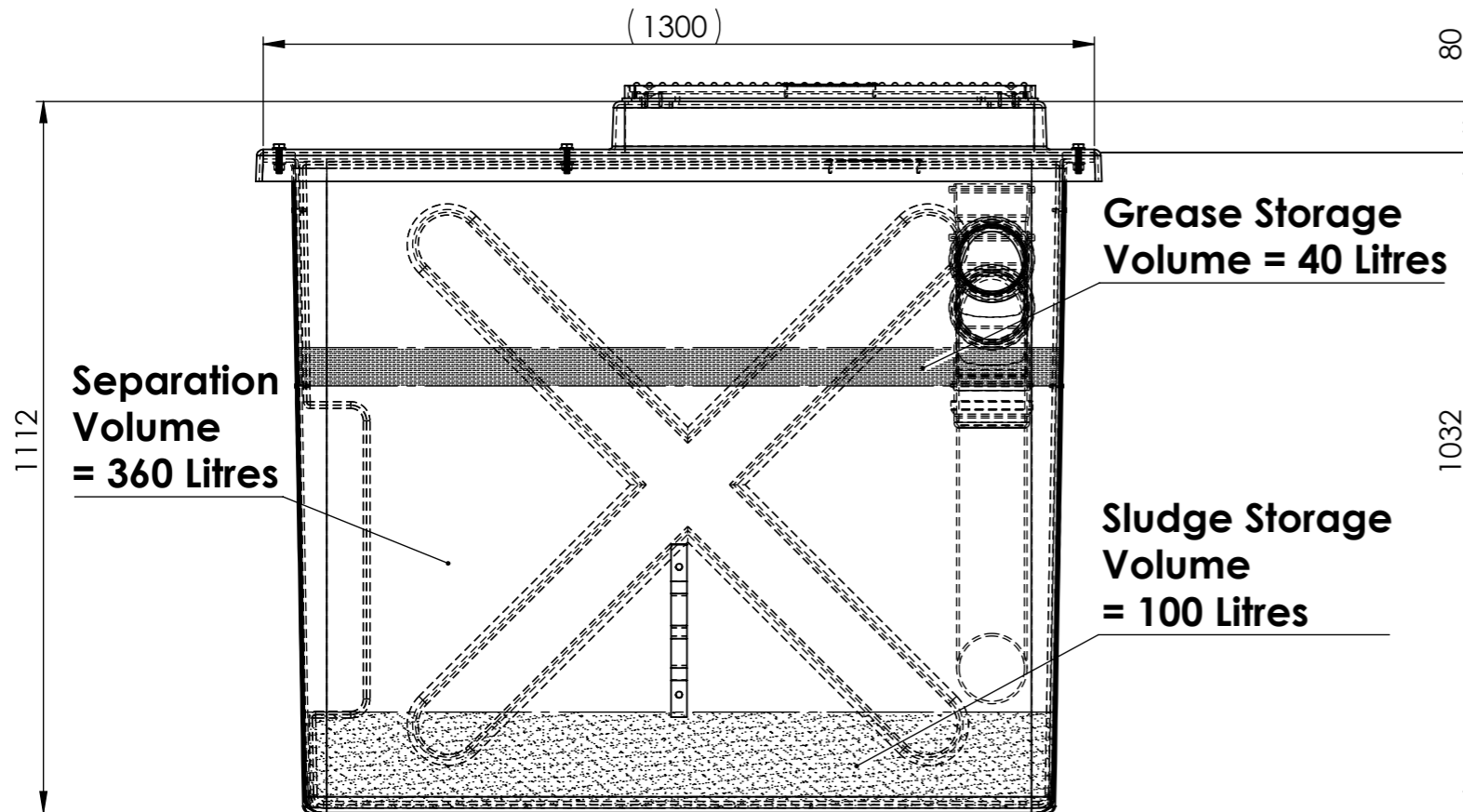
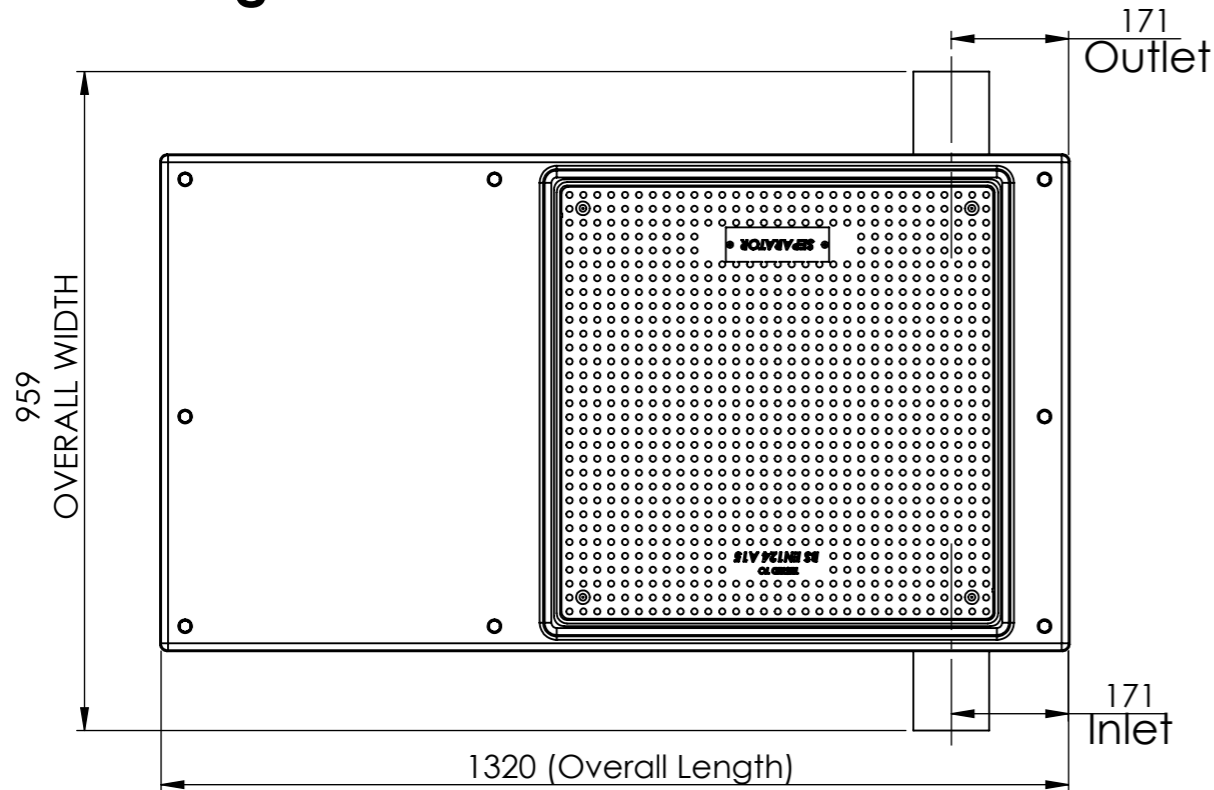
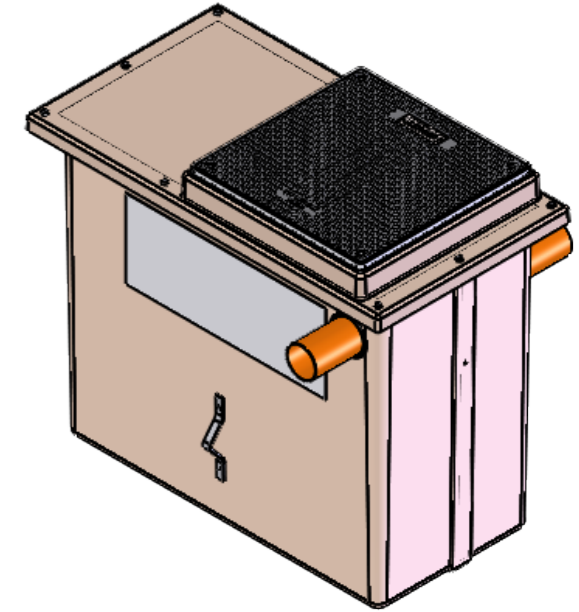
Notes:-

1. Standard Minimum Pipework Size Is $\text{Ø}110\text{mm}$.
2. This Tank Can Be Installed In Either Granular Or Concrete Backfill - Please See Manual For Details
3. Cover Shown Is Pedestrian Duty

| Product | Size |
|---------|------|
| NSG | 01 |

| Standard Connections Sizes | |
|----------------------------|---------------------------|
| y | Connection (Ø) |
| A | $\text{Ø}110$ |

| Z | Branding |
|---|------------|
| K | Klargester |



Cover Loading = EN124 Class A15:- 1.53 Tonne Test Load

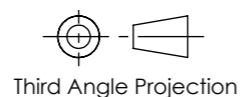
Please check with Kingspan Water & Energy for the latest Issue of the drawing

| Issue | Date | Drawn By | Approved By | Description |
|-------|------------|----------|-------------|------------------------------|
| 03 | 19/12/2022 | TGY | | ECN 1641 - Access Size Added |
| 02 | 24/08/2016 | W.DYER | | CC1332 |

| | |
|--------------------|-------------------------------|
| LN Number : | Tolerance (unless stated) : |
| Finish : | Thickness : n/a |
| Weight : 70.50 Kg | Surface Area : m ² |
| Modelled By : Name | Material : Various |

| | |
|-------------------------------|-------------|
| Drawing : DS1279P | Page 1 of 3 |
| NSG01 Grease Separator (500L) | |

All Dimensions In mm Scale: Do Not Scale

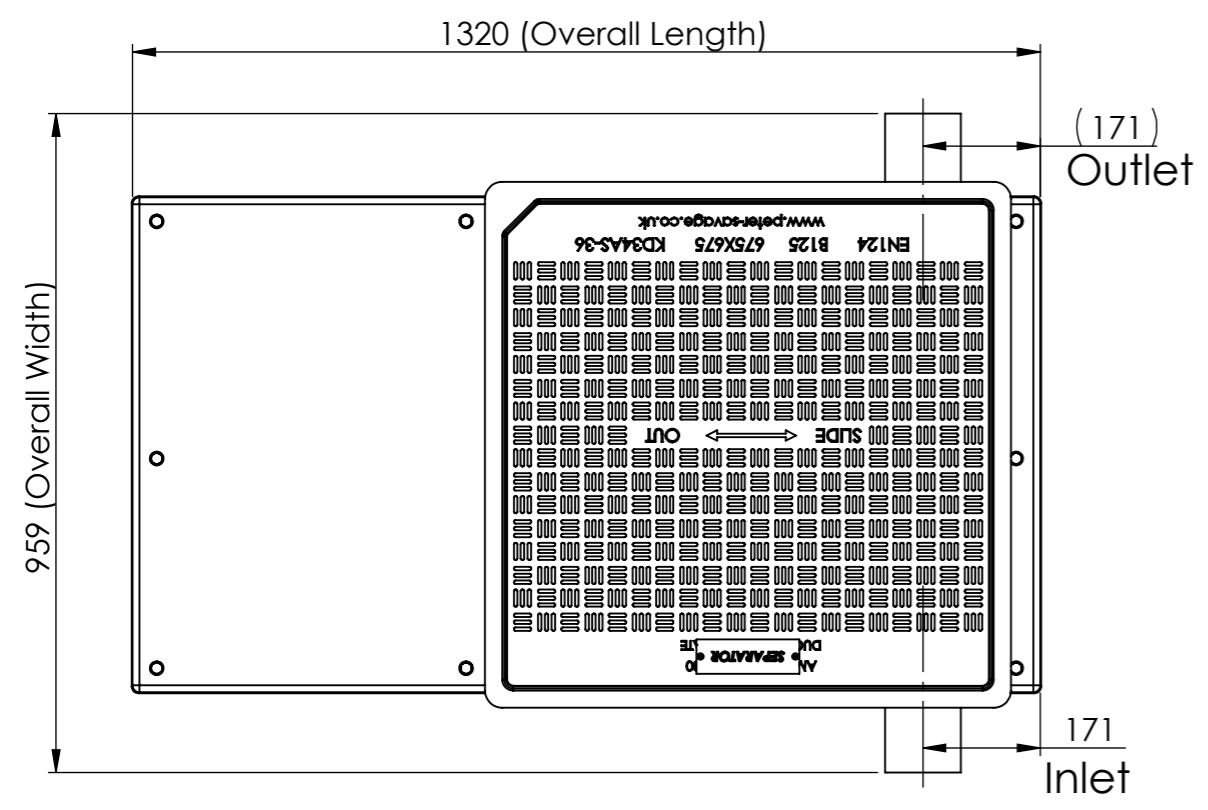


Third Angle Projection

Kingspan Water & Energy reserve the right to alter the details of this drawing without prior notice. This drawing is copyright and may not be reproduced or used without the written permission of Kingspan Water & Energy

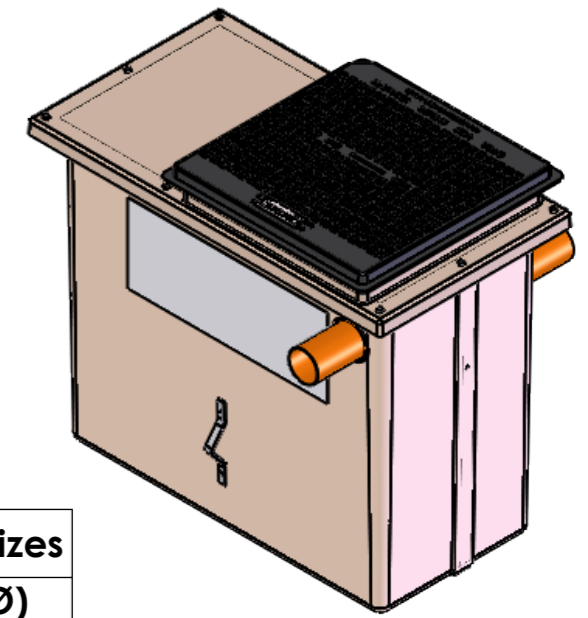


x = 2 (Vehicular Duty)



Notes:-

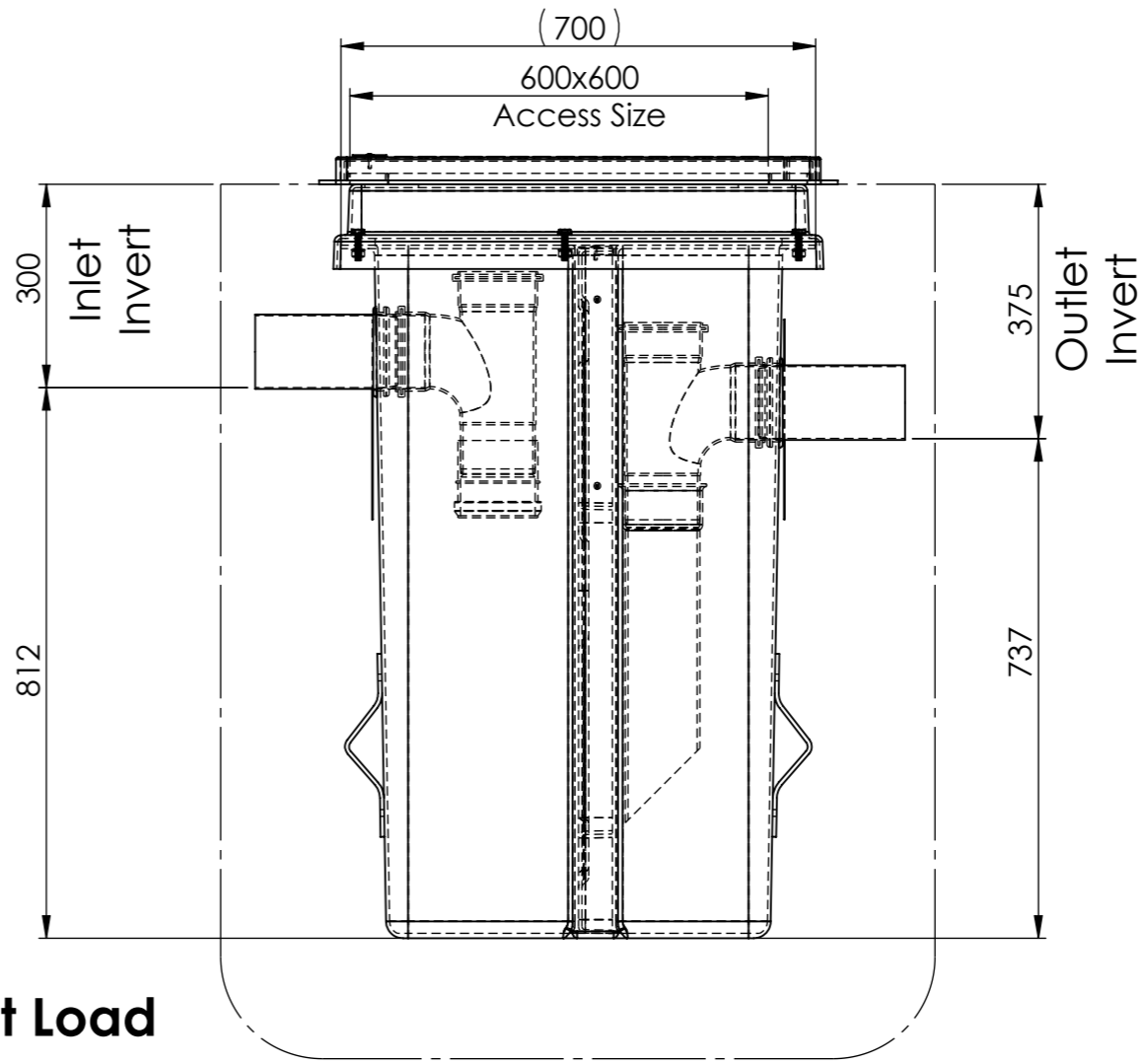
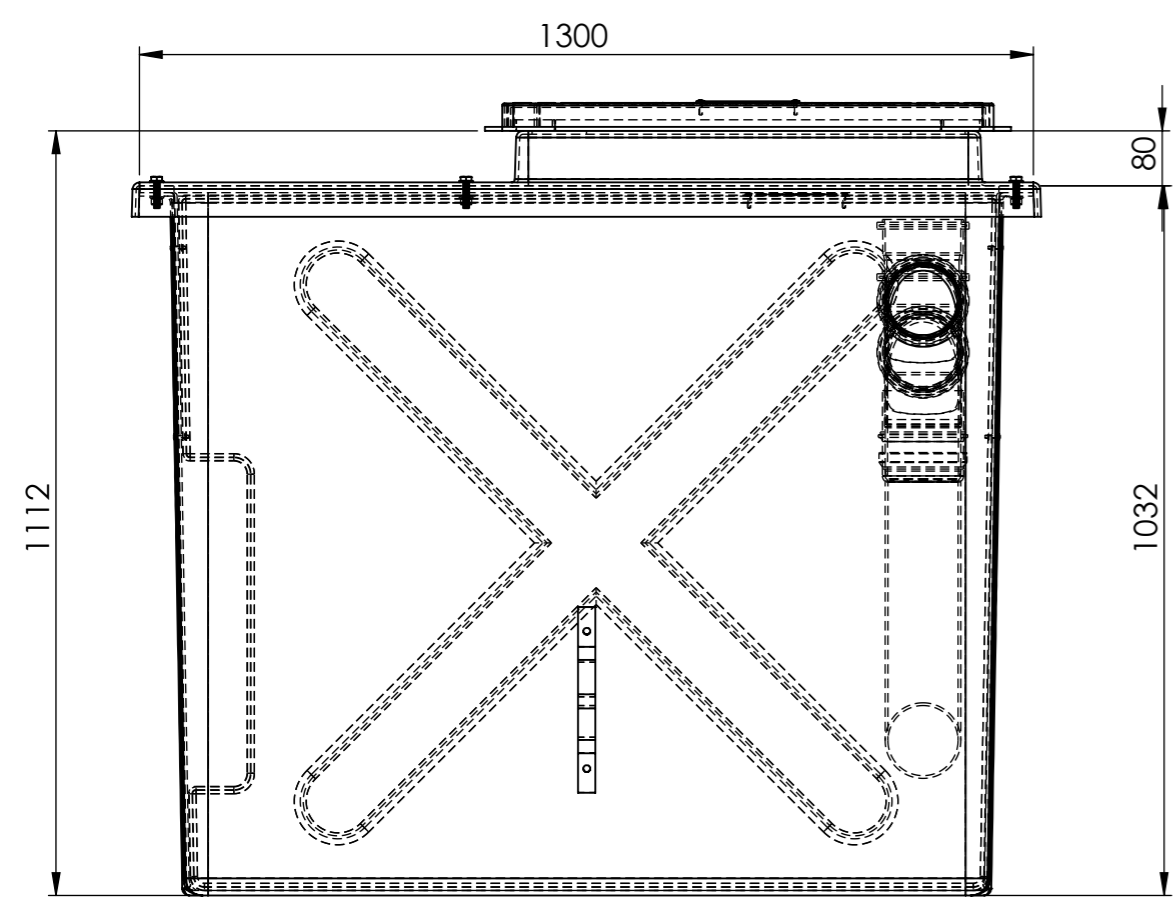
1. Standard Minimum Pipework Size Is Ø110mm.
2. This Tank Can Be Installed In **Concrete Backfill Only** - Please See Manual For Details
3. Cover Shown Is Vehicular Duty
4. **Cover To Be Supplied Loose With The Unit.**
5. **Vehicular Duty Cover MUST Be Installed Over The Concrete & Not The GRP, Vehicle Load To Be Transferred To The Concrete Surround.**



| Product | Size |
|---------|------|
| NSG | 01 |

| Standard Connections Sizes | |
|----------------------------|----------------|
| y | Connection (Ø) |
| A | Ø110 |

| Z | Branding |
|---|------------|
| K | Klargester |



Cover Loading = EN124 Class B125:- 12.5 Tonne Test Load

| | |
|--------------------|-------------------------------|
| LN Number : | Tolerance (unless stated) : |
| Finish : | Thickness : n/a |
| Weight : 70.50 Kg | Surface Area : m ² |
| Modelled By : Name | Material : Various |

Drawing : DS1279P Page 2 of 3
NSG01 Grease Separator (500L)

All Dimensions In mm Scale: Do Not Scale  Third Angle Projection

A:\Wastewater\Engineering\Drawing Data\02 - Sales Drawings\DS\DS - 12\DS1279P

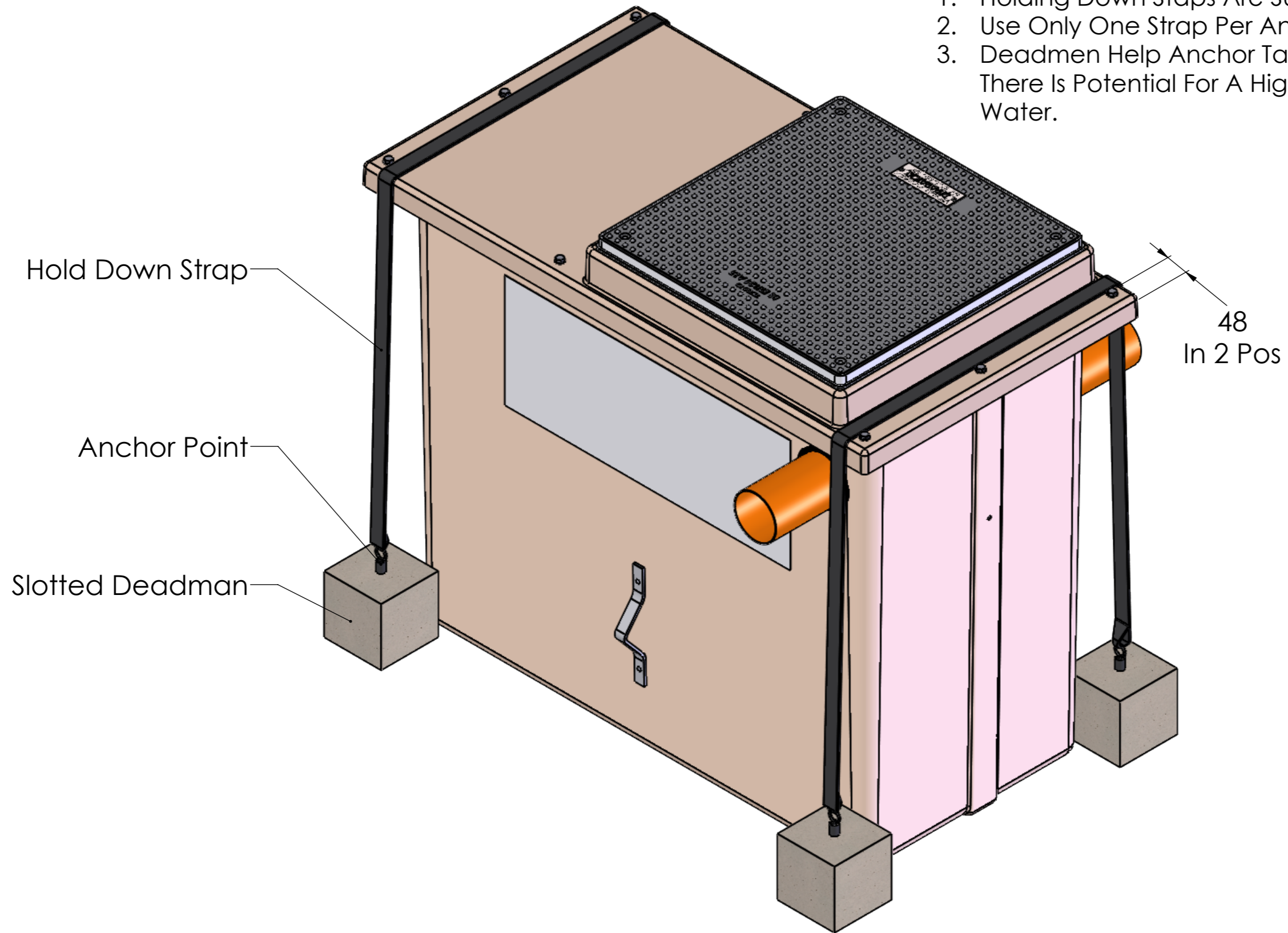
Kingspan Water & Energy reserve the right to alter the details of this drawing without prior notice. This drawing is copyright and may not be reproduced or used without the written permission of Kingspan Water & Energy



Strapping Details

Notes:-

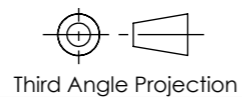
1. Holding Down Straps Are Supplied By Others.
2. Use Only One Strap Per Anchor Point
3. Deadmen Help Anchor Tanks In Installation's In Which There Is Potential For A High Water Table Or Trapped Water.



| | | | |
|--------------------|-------------------------------|-------------------------------|-------------|
| LN Number : | Tolerance (unless stated) : | Drawing : DS1279P | Page 3 of 3 |
| Finish : | Thickness : n/a | | |
| Weight : 70.50 Kg | Surface Area : m ² | NSG01 Grease Separator (500L) | |
| Modelled By : Name | Material : Various | | |

All Dimensions In mm

Scale: Do Not Scale



Third Angle Projection

Kingspan Water & Energy reserve the right to alter the details of this drawing without prior notice. This drawing is copyright and may not be reproduced or used without the written permission of Kingspan Water & Energy

