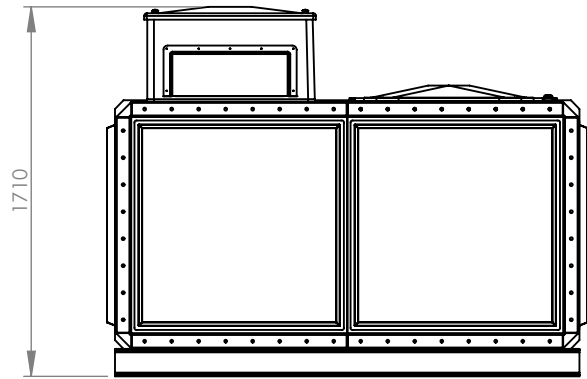
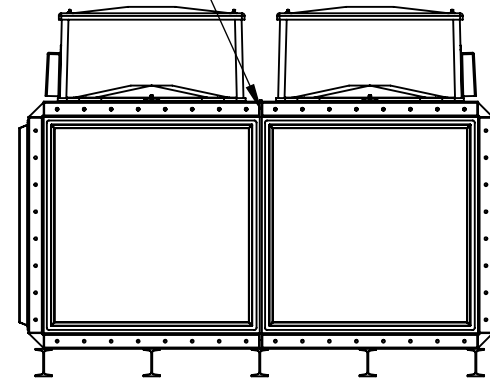


Internal Central Division



TITLE
PW.2x2x1.TIF.DIV.AB

DRAWN BY J. Ellison DATE 01/02/2023

CUSTOMER CUSTOMER

NOTE:
Tanks Direct sectional tanks must be fully supported on a flat, level & continuous foundation which provides structural support to the tank when full to a maximum capacity. It is essential that the installer and/or user refers to the conditions of the installation document prior to the installation of the tank. Under no circumstances should any part of the tank structure be used to provide support to pipework and/or any ancillary items.

ALL DIMENSIONS +/- 5mm
UNLESS OTHERWISE STATED

A4

DESCRIPTION:
PW.2x2x1.5.TIF.DIV Sectional cold water storage tank c/w raised float valve housings to provide an AB Air gap

ALL DIMENSIONS IN MM - DO NOT SCALE

DATE	VERSION	NOTES
24/01/2023	A	FIRST ISSUE

TANK SPECIFICATION :

INTERNAL DIMENSIONS	2150 x 2150 x 1150mm
EXTERNAL DIMENSIONS	2234 x 2224 x 1710mm
NOM. CAPACITY	5315 Litres
INSULATION THICKNESS	38mm
MATERIAL	Hot press moulded GRP



SCALE:1:35

SHEET 1 OF 1