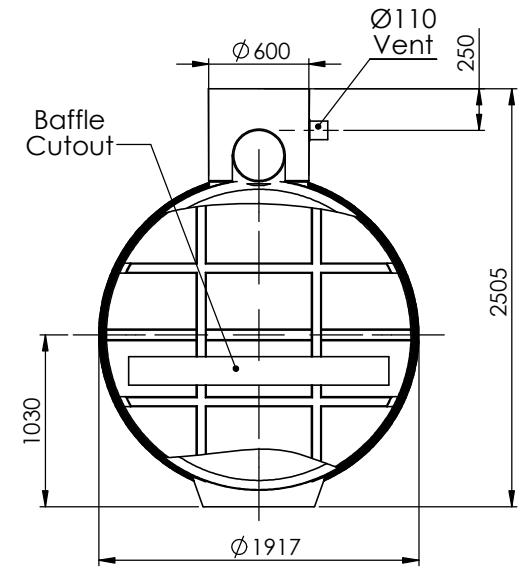
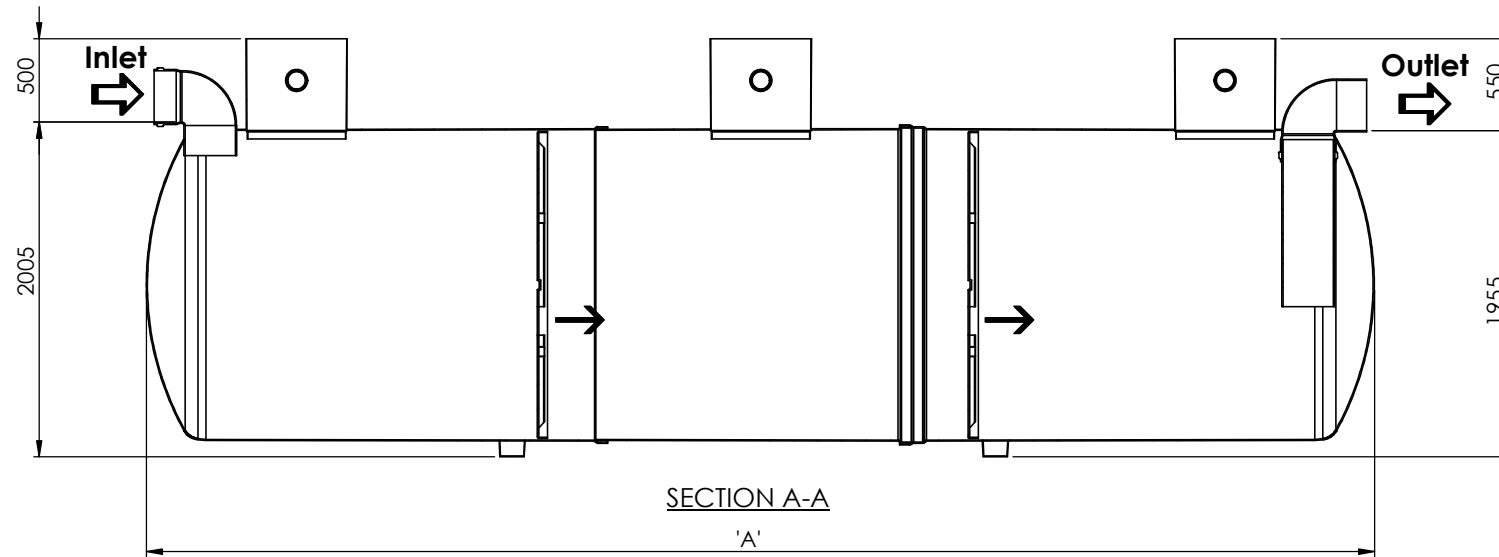
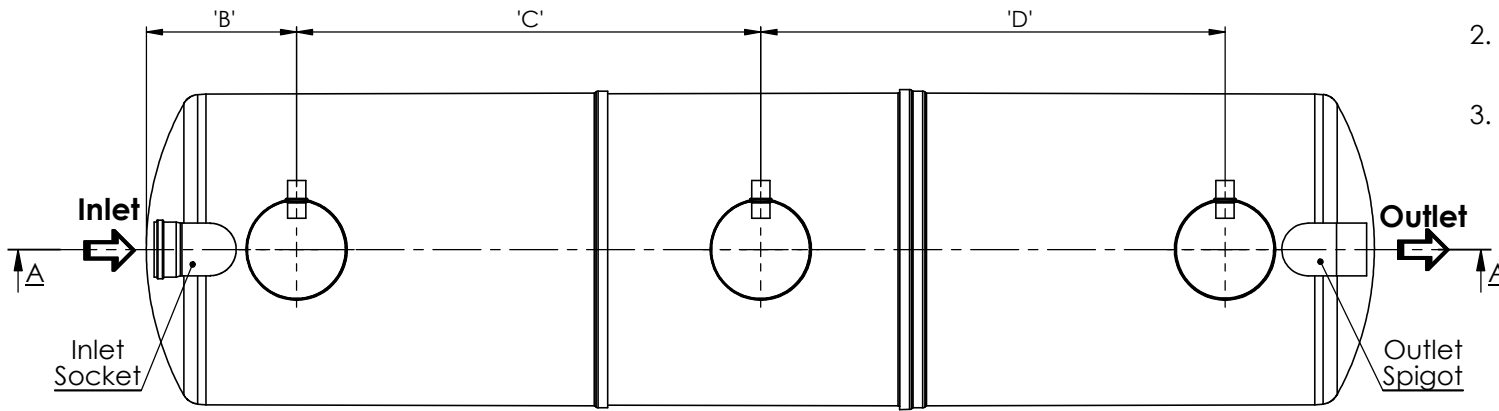


Notes: -

1. Units Can Be Provided With Extension Shafts In 0.5m Increments.
2. Standard Inlet/ Outlet Pipes Are PVCu Underground Drainage To BS5481. For Other Pipe Sizes And Types Are Available.
3. It Is Essential That This Drawing Is Read In Conjunction With The Manual (Supplied With Unit) Giving Installation Details. This Drawing Should Be Used For Dimensional Information Only.



Unit	Working Capacity	DIM 'A'	DIM 'B'	DIM 'C'	DIM 'D'	Inlet/ Outlet STD. Size	Approx Weight (kg)		Fall Across Unit
							Empty	Full	
W3/ 150	15000L	5780	900	1990	1990	300	730	15730	50
W3/ 190	19000L	7355	900	2775	2780	300	860	19860	50

Please Check with Kingspan Environmental For The Latest Issue Of This Drawing

Issue	Date	Drawn by	Approved by	Description
02	31/10/14	L.Steward		CC1179 - Re-drawn In Solidworks/ Change To New Ø1.8 Cases

Material : Various	Tolerance (unless stated) : n/a
Finish : n/a	Thickness : n/a
Weight : n/a	Surface Area : n/a m ²
Modelled By :	

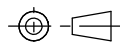
Drawing : DS0857P

Page 1 of 1

W3/150 - W3/190 Washdown & Silt Separator (3 Stage)

All Dimensions In mm

Scale: Do Not Scale



Third Angle Projection

R:\Drawing Data\02 - Sales Drawings\DS\DS - 08\DS0857P W3 150 - W3 190 Washdown & Silt Separators (3 Stage)

Kingspan Environmental reserve the right to alter the details of this drawing without prior notice. This drawing is copyright and may not be reproduced or used without the written permission of Kingspan Environmental

