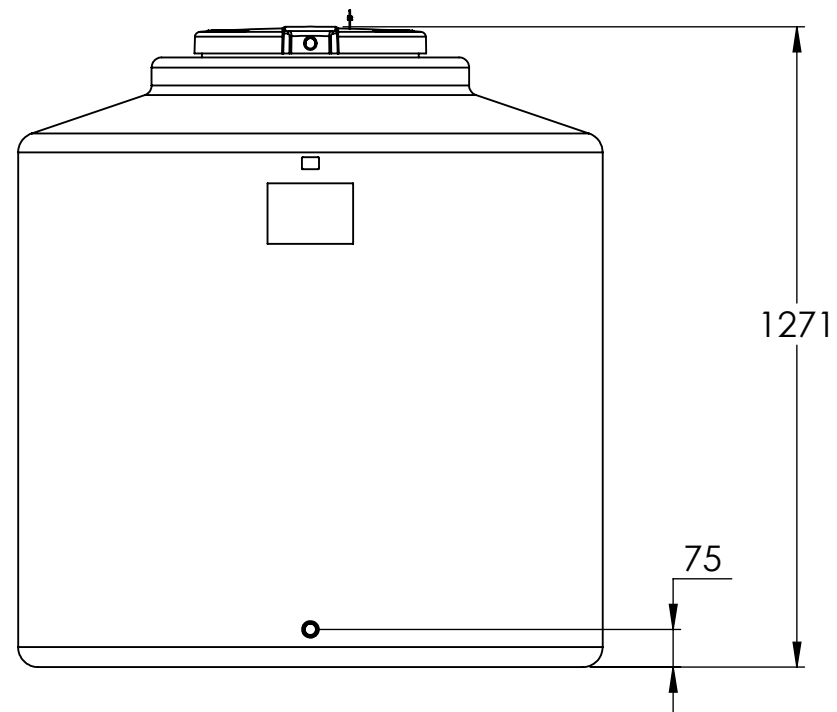
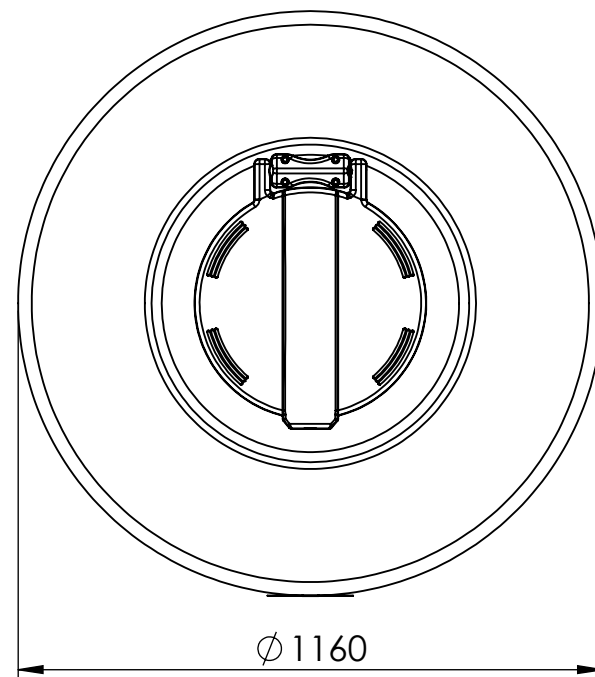


V1200WST



Lockable Inspection Lid



NOTE:
1. BRIMFILL CAPACITY: 1173 LITRES

UNLESS OTHERWISE SPECIFIED DIMENSIONS ARE IN MM. TOLERANCES ARE: NO DECIMAL ±2 .X ±0.3 .XX ±0.10 ANGLES ±0° 30'	DRAWN	DATE	Deso Engineering Ltd Slade Way, Williton, Taunton TA4 4TA TEL: 01984 632026 email: sales@desoengineering.co.uk	
	SH	12 Aug 2022		
SCALE	APPROVED		V1200 WATER TANK	
MATERIAL				
MASS (Kg) 26			SIZE	REV.
CAD GENERATED DRAWING, DO NOT MANUALLY UPDATE 3RD ANGLE PROJECTION DO NOT SCALE DRAWING			A3	DRAWING NO. V1200WST
			IF IN DOUBT - ASK.	
			SHEET 1 OF 1	

Please Check with Kingspan Water & Energy Ltd For The Latest Issue Of This Drawing