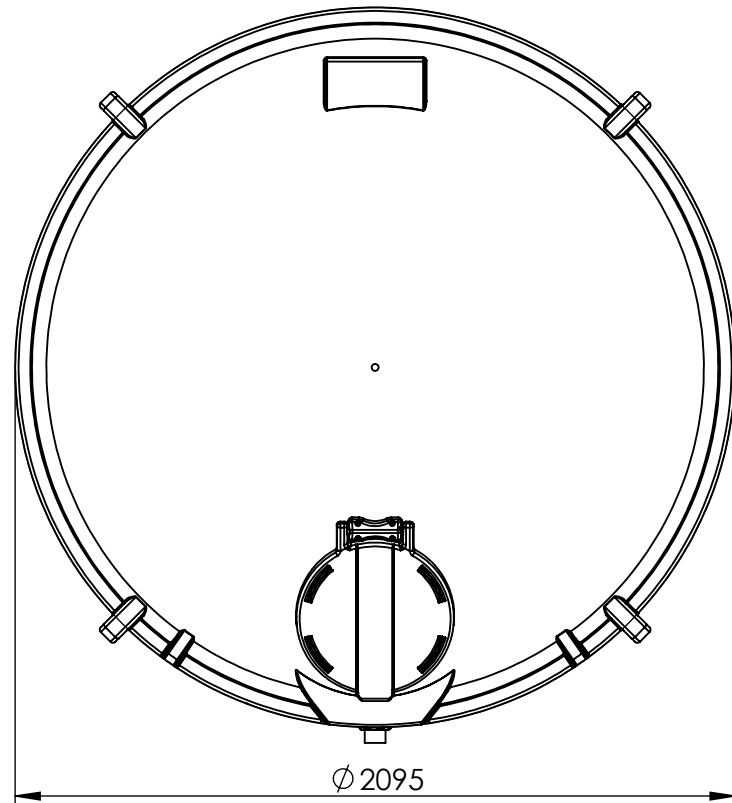
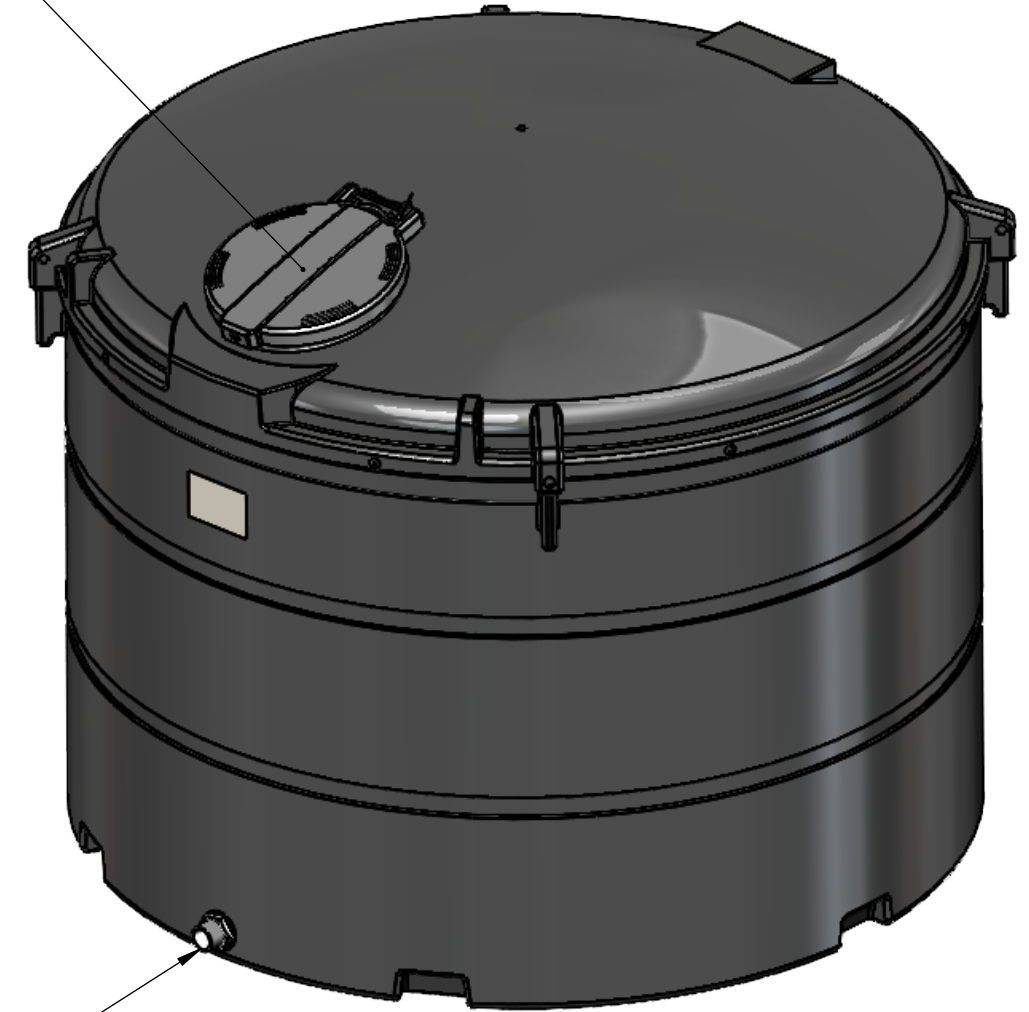


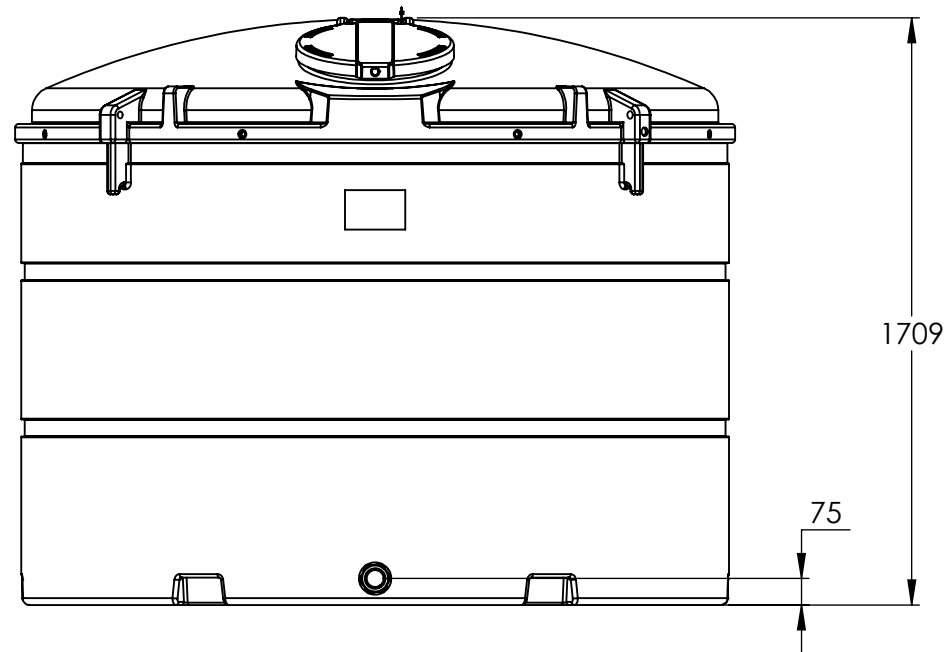
V3050WST




Lockable Inspection Lid



2" BSP OUTLET



NOTE:
1. BRIMFILL CAPACITY: 3179 LITRES

UNLESS OTHERWISE SPECIFIED DIMENSIONS ARE IN MM. TOLERANCES ARE: NO DECIMAL ±(1 + 5%) .X ±0.3 .XX ±0.10	DRAWN	DATE	Deso Engineering Ltd Slade Way, Williton, Taunton TA4 4TA TEL: 01984 632026 email: sales@desoengineering.co.uk		
	SH	23 Feb 2023			
	SCALE	APPROVED		V3050 WATER TANK	
MATERIAL					
MASS (Kg) 33			SIZE A3		
CAD GENERATED DRAWING, DO NOT MANUALLY UPDATE 3RD ANGLE PROJECTION DO NOT SCALE DRAWING		IF IN DOUBT - ASK.			SHEET 1 OF 1

Please Check with Kingspan Water & Energy Ltd For The Latest Issue Of This Drawing