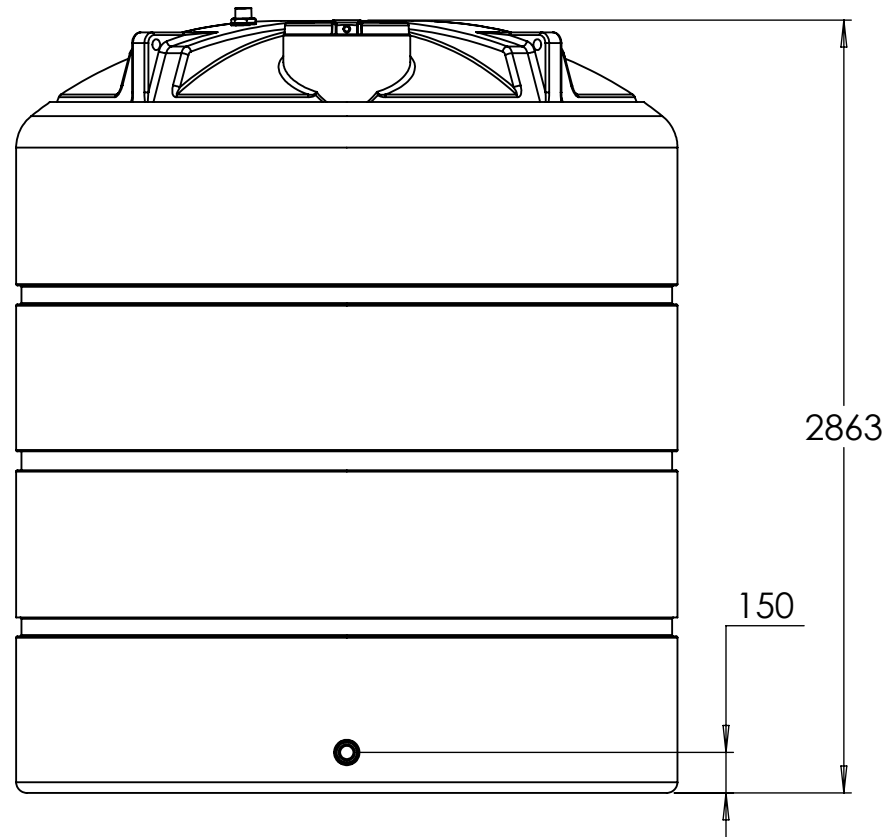
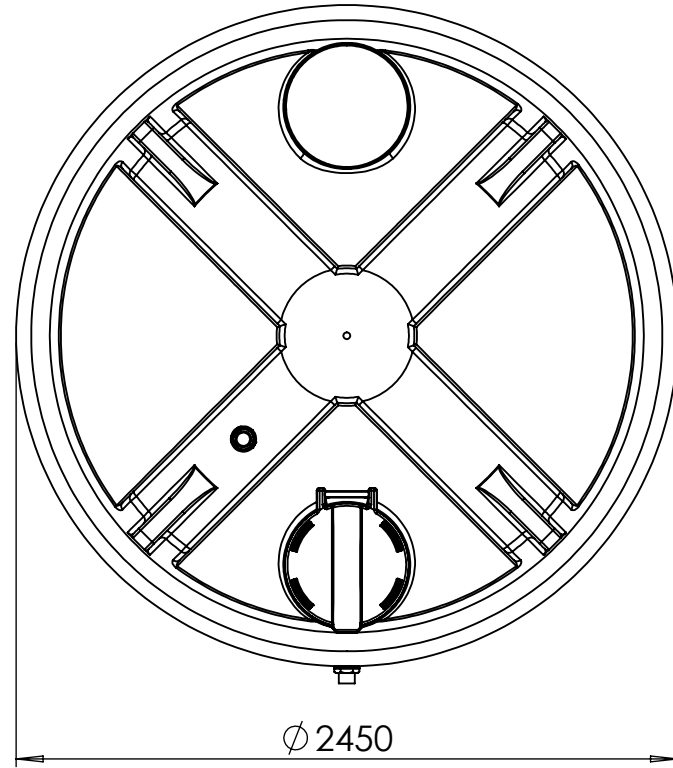


V12000WST



2" BSP INLET

Lockable Inspection Lid

2" BSP OUTLET



NOTE:
1. BRIMFILL CAPACITY: 12933 LITRES

| | | | | |
|--------------------------------------------------------------------------------------------------------------------------------|----------|-------------|--------------------------------------------------------------------------------------------------------------------------------|----------------------------------------|
| UNLESS OTHERWISE SPECIFIED DIMENSIONS ARE IN MM. TOLERANCES ARE: NO DECIMAL ±2 .X ±0.3 ANGLES .XX ±0.10 ±0° 30' | DRAWN | DATE | Deso Engineering Ltd Slade Way, Williton, Taunton TA4 4TA TEL: 01984 632026 email: sales@desoengineering.co.uk | |
| | OF | 31 Jul 2023 | | |
| SCALE | APPROVED | | V12000 Black Water TANK | |
| MATERIAL | | | | |
| MASS (Kg) | | | | |
| CAD GENERATED DRAWING, DO NOT MANUALLY UPDATE 3RD ANGLE PROJECTION DO NOT SCALE DRAWING | | | SIZE | REV. |
| | | | A3 | DRAWING NO. V12000WST REV. 01 |
| | | | IF IN DOUBT - ASK. | |
| | | | SHEET 1 OF 1 | |

Please Check with Kingspan Water & Energy Ltd For The Latest Issue Of This Drawing