

Description:

Rainwater filter for installation within rainwater tanks.

Ideal for conversion of existing tanks, because the 3P Sinus Filter has no height difference between rainwater inlet and outlet to the waste water sewer.

The filter cartridge lies diagonally in the housing, therefore even more water can be safed in comparison to convential filters.

Retro-installation of 3P Backwashing Device PF + SF is possible. The 3P Sinus Filter is ideally suited for use in conjunction with a 3P Overflow Siphon Duo and the 3P Calmed Inlet.

Low maintenance, depending on the contamination.

Connection capacity after DIN 1986 for roof areas up to 150 m².

All connections DN 110.

Height difference of 0 mm between rainwater inlet and wastewater outlet.

Mesh size of filter cartridge 0,7 x 1,7 mm.

The cleaned water can be used in washing machines, toilet flushing and garden watering, in homes, in commerce, in public buildings and in industry.

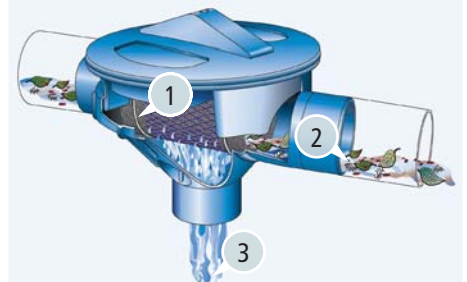


How it works:

1. Rainwater is led onto the filter cartridge and because of its inclination the water is slowed down.
2. Because of the smooth surface structure of the filter the dirt is quickly rinsed away into the sewer.
3. The cleaned rainwater is led through the plastic netting into the tank.

Advice:

Due to the horizontal position of the filter cartridge, the filter gets dirtier more rapidly as a filter cartridge with steep inclination. We therefore recommend using the 3P Backwashing Device and constant cleaning with detergent and brush in order to degrease the filter netting. Pollen are containing much grease thus the water rolls off on the surface.



Technical Data:

Filter according to DIN 1989-2, Typ C

Connection inlet: DN 110

Outlet into tank: DN 110

Outlet into sewer: DN 110

Height difference between rainwater inlet and outlet 0 mm.

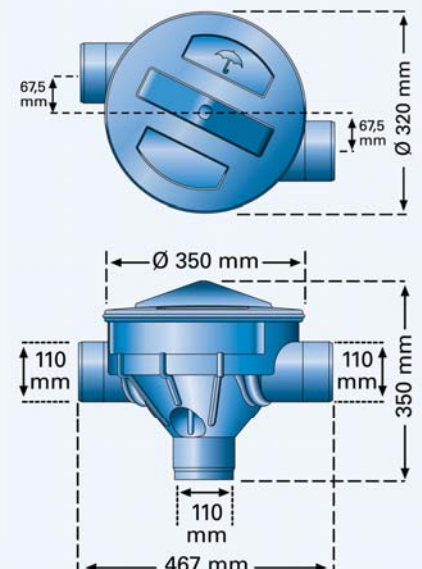
Housing material: Polyethylen

Filter cartridge: Stainless steel 1.4301

Material Poly-Net: Polyethylen

Mesh size: 0,7 x 1,7 mm

Weight: 2,1 kg



Example 1:

Installation of the 3P Sinus Filter in a plastic tank.



Example 2:

Installation of a 3P Sinus Filter in a concrete tank in conjunction with a 3P Overflow Siphon Duo and a 3P Calmed Inlet.



Text for invitation of tenders:

Pos.	Quantity	Article	Price in €
1.1	_____	3P Sinus Filter	_____
<p>Rainwater filter for installation within rainwater tanks. Without height difference between inlet and outlet. Inlet rainwater DN 110 Outlet into sewer DN 110 Outlet into tank DN 110</p> <p>Filter cartridge made of stainless steel. Mesh size 0,7 x 1,7 mm.</p> <p>Integrated backwashing device possible.</p> <p>Connection capacity according to DIN 1986 for roof areas up to 150 m²</p>			

Accessories 1:

3P Backwashing Device Art.-Nr.1000355
PF + SF consisting of: Backwashing Device and Profi Connection Set.
Retro-installation possible.



Accessories 2:

3P Automatic Backwashing Device Art.-Nr.1000356
consisting of: Backwashing Device, Profi Connection Set and Programmable Timing Device.



Accessories 3:

3P Removal Handle Art.-Nr.1000550
For filter removal in deeper installations.
Length: 50 cm
Material: Stainless steel



Observations:

Packing unit:
m³-Carton: 18 pieces
Pallet: 36 pieces
EAN: