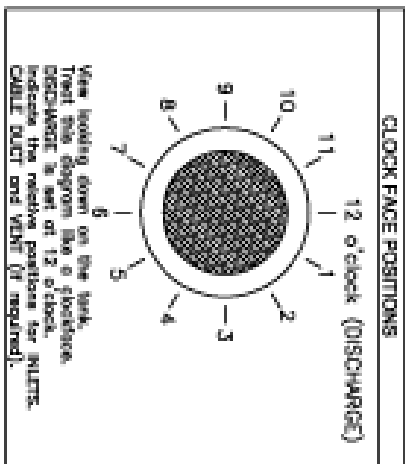


FS MINI S 2000

TECHNICAL SPECIFICATION	
Power supply	230v /415v
Meter rating	250W
Frequency	50 HZ
Revolutions per min.	3000
Max. vertical output	10m
Max. horizontal output	200m
Max. flow rate	500 l/min.
Max. liquid temperature	40 deg. C
Discharge size	63 O.D. HDPE
Cable length	10m

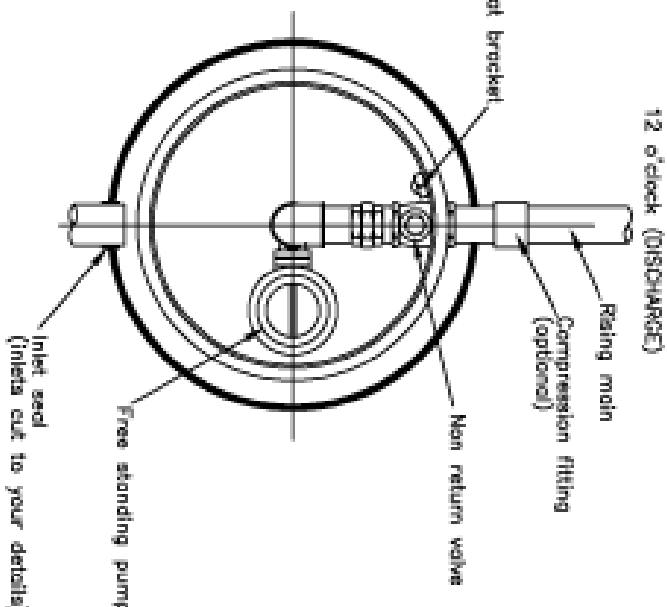
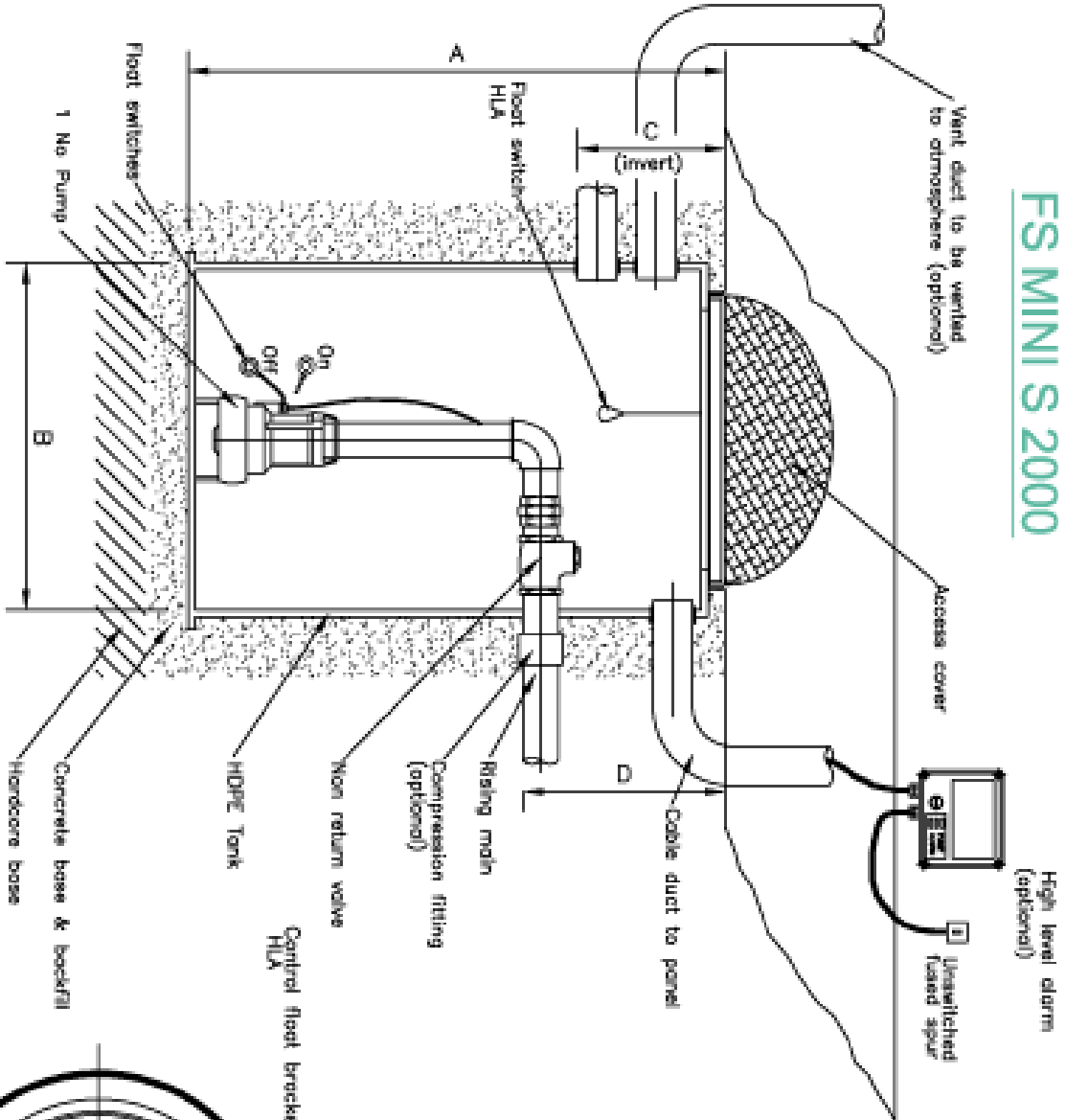
ACCESS COVER (CLEAR OPENINGS)	
DIAMETER (mm)	TYPE
450	Pedestrian

FABRICATION SPECIFICATIONS			
ITEM	INDEX	DEPTH/DIAMETER (mm)	CLOCK FACE POSITION
Tank depth	A	2000	
Tank ø	B	610	
Inlet	C1	250	110
Inlet	C2		
Inlet	C3		
Discharge Ø	D	200	63
			1/2
Cable duct			40
Vent			



PLEASE NOTE THAT THIS DOCUMENT MUST BE READ IN CONJUNCTION WITH THE INSTALLATION & OPERATING GUIDELINES.

DRAWING NOT TO SCALE



Comments

Please note that the inlet can be supplied loose and drilled on site.

Customer:	Drawing No.
Project:	Date:
Project address:	Drawn by:
	Checked by: