



AYLESBURY™ 'KAX' TYPE FLOAT VALVES

SIZES (DN): ¾”(20), 1”(25), 1¼”(32), 1½”(40)SF, 1½”(40)HF, 2”(50)SF

PRE-INSTALLATION CHECKS

AYLESBURY Valves are unlike any other float operated valve, ballcock or ball valve. Please read these instructions and refer to attached drawings before installation.

Installation of valves should be in accordance with The Water Supply (Water Fittings) Regulations 1999 and BS6700:1997 Para. 2.2.4

Keraflo Valves contain a pair of maintenance free ceramic discs. Do NOT attempt to dismantle the Valve - even if you are curious! Should the Valve ever become blocked with debris, ask Keraflo for a Service Bulletin.

EVIDENCE OF DISASSEMBLY OR SIGNS OF MISUSE MAY INVALIDATE WARRANTY.

OPERATING SPACE: Check for sufficient clearance. The working dimensions are shown on the attached drawings.

OVERFLOW/WARNING PIPES: Check the position of the Overflow and Warning Pipe (where fitted). See drawing Ki071* for Closing Level (TWL) range and pipe positioning.

TURBULENT WATER: Exceptionally turbulent waters, eg: cooling towers, should be avoided directly beneath the float. Calming measures such as baffle plates, still ponds etc. should be implemented.

FLANGED TANKS: The design of the Aylesbury 'KAX' Type valve, allows sufficient clearance between the Float and most internal tank flanges and ribs. (Dimension G shown on drawing Ki070*). The valve Backnuts may be adjusted to enable fitting to tanks with large flanges; provided a minimum of 20mm exists between the Float and tank wall throughout the arc of the Float.

ROUND TANKS: Minimum tank diameters required:

Valve	¾”	1”	1¼”	1½”SF	1½”HF	2”SF
Min tank diameter (m)	1.18m	1.18m	1.18m	1.18m	2.13m	2.13m

SLOPING TANK WALL: The wall to which the Aylesbury Valve is to be attached must be vertical. If the wall around the fixing hole is sloped, tapered washers must be used. These are generally available from the tank supplier.

PIPEWORK SUPPORT: Aylesbury Valves create virtually no tank wall stress. Additional pipework support is therefore unnecessary; provided the Code of Practice for the support of pipework in general is met.

SERVICING VALVES: A servicing valve must be fitted as near as is reasonably practicable to the float operated valve. A servicing valve incorporating a particle strainer is highly recommended.

PLEASE PLACE LABEL ON TANK LID ABOVE VALVE FOR FUTURE REFERENCE.





AYLESBURY™ 'KAX' TYPE FLOAT VALVES

SIZES (DN): ¾”(20), 1”(25), 1¼”(32), 1½”(40)SF, 1½”(40)HF, 2”(50)SF

INSTALLATION INSTRUCTIONS

Installation of valves should be in accordance with The Water Supply (Water Fittings) Regulations 1999 and BS6700:1997 Para. 2.2.4

WARNING! THE BUILT-IN SPIRIT LEVEL MUST BE USED TO ALIGN THIS VALVE. FAILURE TO FOLLOW THE PROCEDURE LISTED BELOW WILL PREVENT THE VALVE OPERATING CORRECTLY

The valve is supplied with the Float Arm and Discharge Assemblies detached. To avoid damage it is recommended, for most installations, to fit both of these Assemblies **after** installing the Valve in the tank.

1. Before fitting the Valve, flush the supply pipes to clear all debris. Tanks and pipes should be disinfected using the procedures in BS 6700:1997 Para 3.1.10
2. Remove and retain the Double R Clip, Washer & Bush. See Drawing Ki070*
3. Remove and discard the protective Cap from the Tail. Remove and retain one Backnut. Insert the Valve Tail through the hole in the tank wall, replace the Backnut with the flanged side against the tank wall.
4. Connect the supply pipe, via a servicing valve, then hand tighten Backnut to suit. To prevent the Valve turning when tightening the pipe fitting, use either a wrench or a spanner on the Valve Tail where indicated in drawing Ki070*. **DO NOT USE A WRENCH ON ANY OTHER PART OF THE VALVE.**
5. Fit the Float Arm Assembly as shown in Ki070*. Refit the parts retained at step 2 checking the correct positioning of the Bush with the recessed side against the Float Arm.
6. Rotate the Valve as necessary so the Float Arm is **ABSOLUTELY VERTICAL** in the Valve open position, as indicated by the bubble being between the black lines of the Spirit Level on the Float Arm. Refer to Ki071*.
7. Tighten Backnuts then **check alignment again.**
8. Using the 4mm Allen key supplied fit the discharge assembly referring to KAX Drawing Ki070* for the direction. Remove and discard the protective Cap from the Discharge Assembly.

ALIGNMENT WARNING!!

It is imperative that the Float Arm is fitted in the vertical position when the Valve is fully open. This is critical to the operation of the Valve.

ADJUSTING CLOSING WATER LEVEL (TWL)

1. Pull out the Float Adjusting Catch. Refer to Drawing Ki070.
2. Move the Float to the desired position.
3. Release Catch and ensure Pin locates in desired hole.

TESTING

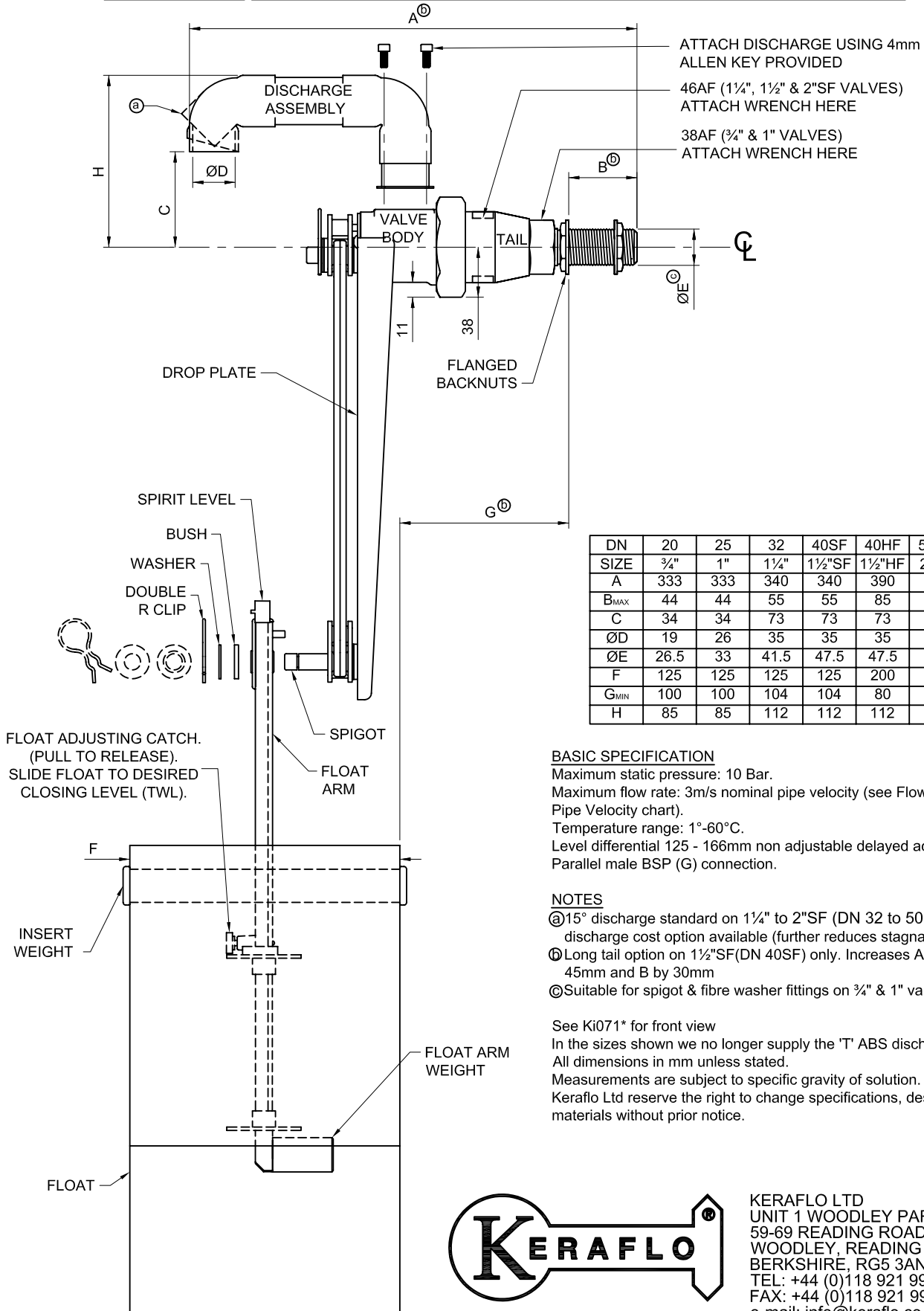
Before leaving the installation, test the Valve operation a number of times ensuring the Valve moves freely from the open to the closed position and from the closed to the open position. Where a Valve has not been in operation for a period of time it is also recommended that the above procedure is carried out.

ATTACHED DRAWINGS	
Ki070*	Aylesbury KAX Type Dimensions – Side View
Ki071*	Aylesbury KAX Type Dimensions – Front Views

KERAFLO RESERVE THE RIGHT TO CHANGE SPECIFICATIONS, DESIGN AND MATERIALS WITHOUT PRIOR NOTICE

AYLESBURY KAX TYPE DIMENSIONS - SIDE VIEW

SIZES (DN): 3/4"(20), 1"(25), 1 1/4"(32), 1 1/2"(40)SF, 1 1/2"(40)HF, 2"(50)SF



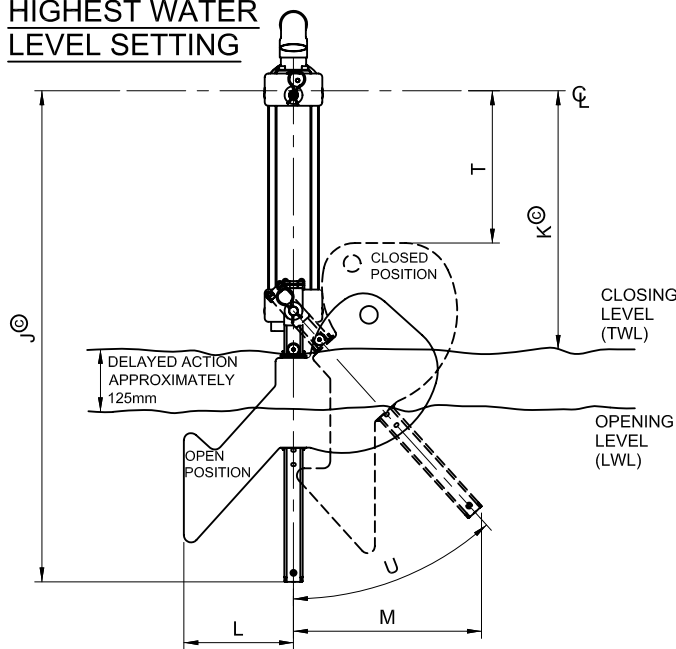
KERAFLO LTD
 UNIT 1 WOODLEY PARK EST.
 59-69 READING ROAD
 WOODLEY, READING
 BERKSHIRE, RG5 3AN, UK
 TEL: +44 (0)118 921 9920
 FAX: +44 (0)118 921 9921
 e-mail: info@keraflo.co.uk
 web site: www.keraflo.co.uk

Ki070D
28/11/07

AYLESBURY KAX TYPE DIMENSIONS - FRONT VIEW

SIZES (DN): 3/4"(20) 1"(25) 1 1/4" (32), 1 1/2"(40)SF, 1 1/2"(40)HF, 2"(50)SF

HIGHEST WATER LEVEL SETTING



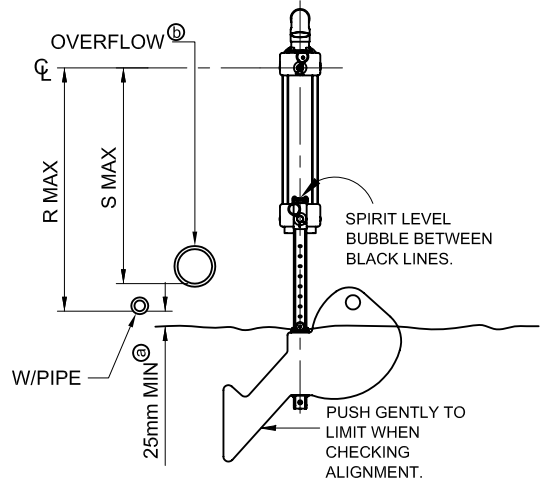
WARNING

The float arm must be fitted absolutely vertical (in the open position) as indicated by the spirit level.

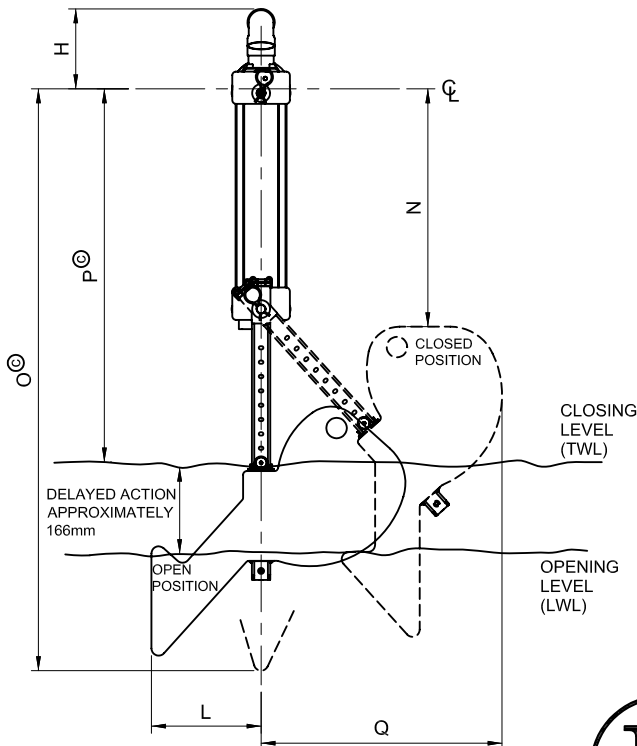
Misalignment will prevent the valve from closing.

Ensure overflowing level is not lower than that shown below (R_{max}); and higher for higher water levels

Level differential 125 - 166mm non adjustable delayed action.



LOWEST WATER LEVEL SETTING



DN	20	25	32	40SF	40HF	50SF
SIZE	3/4"	1"	1 1/4"	1 1/2"SF	1 1/2"HF	2"SF
J	489	489	684	684	684	684
K	164	164	359	359	359	359
L	152	152	152	152	152	152
M	225	225	225	225	263	263
N	136	136	331	331	331	331
O	615	615	810	810	810	810
P	325	325	520	520	520	520
Q	335	335	335	335	335	335
R_{MAX}	300	300	495	495	495	495
S_{MAX}	275	275	470	470	470	470
T	16	16	211	211	211	211
U	30°	30°	30°	30°	40°	40°

NOTES

Ⓐ SCHED 2, SECT 7, G16.5 Water Regs. Gap should be more if water is turbulent - especially if near valve discharge. 40mm minimum for valves 1 1/2"(DN 40mm) or larger - recommended by Keraflo.

Ⓑ Typically twice inlet bore. SCHED 2, SECT 7, G16.10 Water Regs.- warning/overflow pipe(s) should be capable of taking any possible flow in the pipe arising from inlet valve failure

Ⓒ If longer drop required please call Keraflo.

See Ki070* for side view

In the sizes shown we no longer supply the 'T' ABS discharge. All dimensions in mm unless stated.

Measurements are subject to specific gravity of solution.

Keraflo Ltd reserve the right to change specifications, design and materials without prior notice.



KERAFLO LTD
UNIT 1 WOODLEY PARK EST.
59-69 READING ROAD
WOODLEY, READING
BERKSHIRE, RG5 3AN, UK
TEL: +44 (0)118 921 9920
FAX: +44 (0)118 921 9921
e-mail: info@keraflo.co.uk
web site: www.keraflo.co.uk

Ki071D
20/10/06