

ALL DIMENSIONS IN MILLIMETRES UNLESS STATED OTHERWISE - DO NOT SCALE IF IN DOUBT - ASK

HYDROCLEAR 6 POP

SYSTEM GENERAL ASSEMBLY

PRODUCT FEATURES:

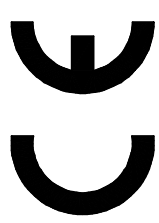
- Ø110mm STANDARD PVC INLET AND OUTLET PIPES
- AIR COMPRESSOR
- AIR DIFFUSER
- ELECTRICAL ISOLATOR SWITCH
- BIO-MEDIA
- SLING POINTS

MATERIALS CONTAINMENT:

- WASTE WATER (NON-INDUSTRIAL)

TECHNICAL INFORMATION:

- TANKS - VOLUMES WEIGHTS
- PRIMARY SETTLEMENT - 3000litres
- AERATION CHAMBER - 720litres
- FINAL SETTLEMENT CHAMBER - 720litres
- POWER REQUIREMENTS - 450kg
- 230V
- 76W
- 1.0A (START-UP CURRENT)



GENERAL NOTES:

- ACCREDITED TO BS EN 12566-3
- CE TREATMENT EFFICIENCY -
- BOD - 10mg/l
- SS - 13mg/l
- NH₄-N - 6mg/l
- INVERT DEPTHS ARE REDUCIBLE TO A MINIMUM OF 750mm CONTACT BALMORAL FOR DETAILS
- 525mm DEEP TURRET EXTENSION PIECES AVAILABLE ON REQUEST
- FOR INSTALLATION AND OPERATION GUIDELINES FOLLOW INSTRUCTIONS SUPPLIED IN TANK

ALL MEASUREMENTS ARE FOR REFERENCE ONLY
BALMORAL TANKS RESERVE THE RIGHT TO REVISE THEIR PRODUCT DESIGNS AND SUPPORTING INFORMATION AT ANY TIME

02	INVERT INCREASE; CE APPROVAL	SI	BB	TM	03/12/08
01	FIRST ISSUE	SI	BB	BB	01/08/08
ISSUE	MODIFICATION	BY	CHK	APV	DATE

BALMORAL TANKS

Head Office and Factories
Balmoral Park, Loirston, Aberdeen AB12 3GY
Tel +44 (0)1224 859000 Fax +44 (0)1224 859123
Email tanks@balmoral.co.uk www.balmoraltanks.com



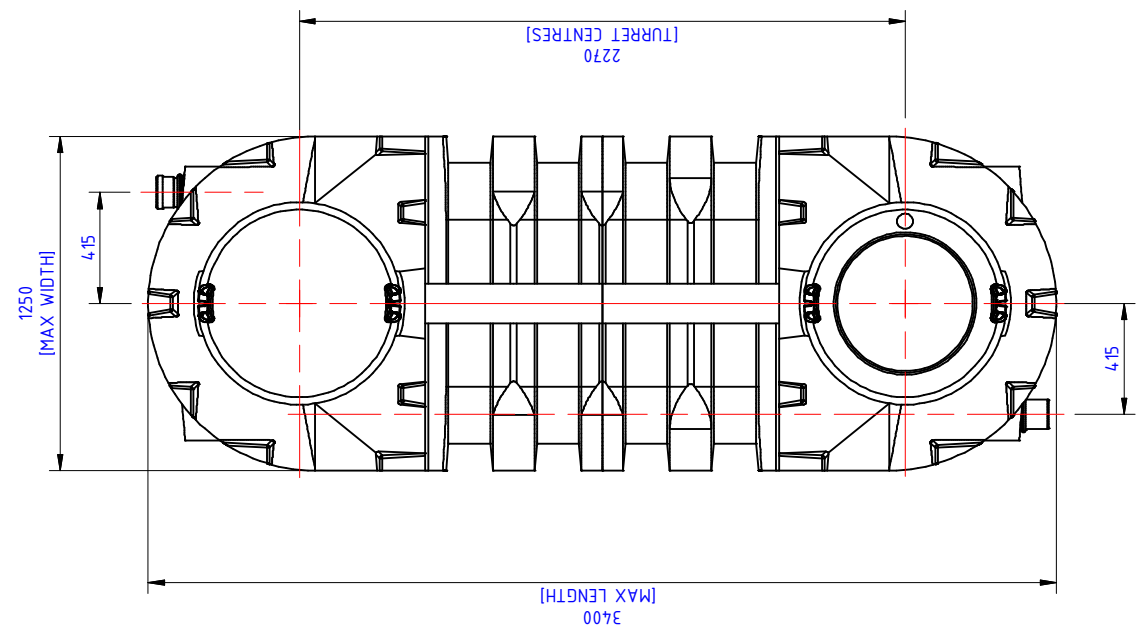
CLIENT
BALMORAL TANKS
PROJECT No. 6179

DRAWING TITLE

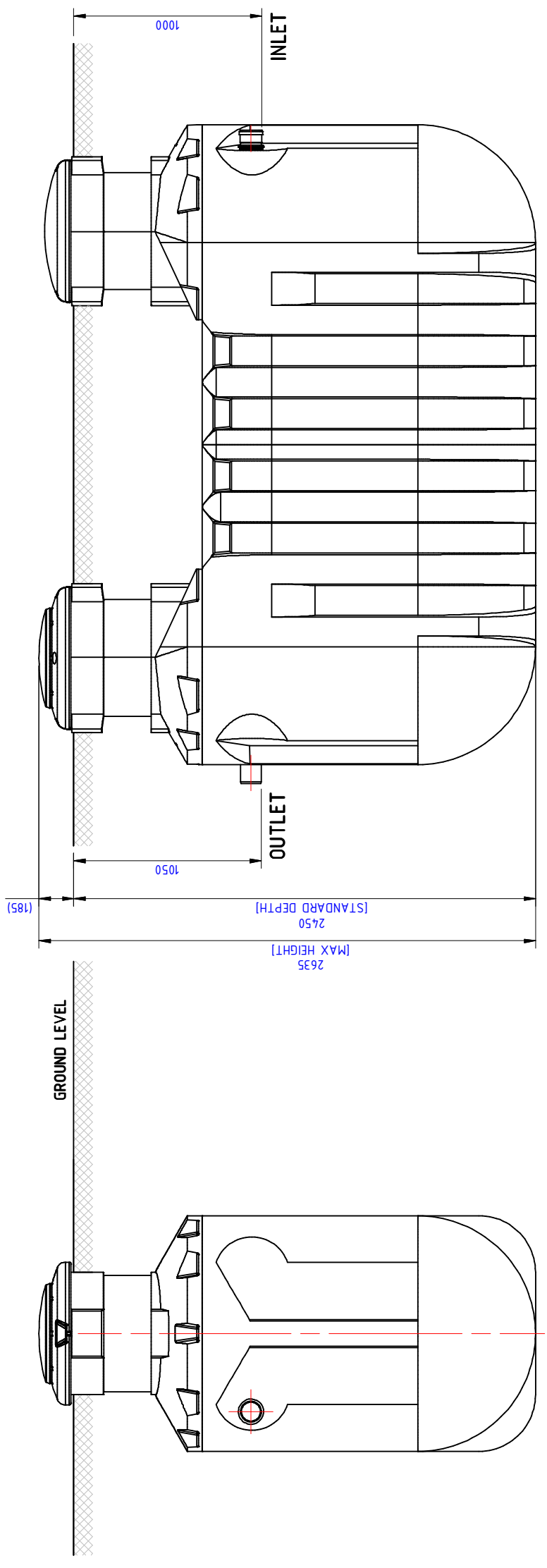
BHYD-6: 6 POPULATION SYSTEM - GENERAL ASSEMBLY (TANK 1of1)

DRAWN BY	CHECKED BY	APPROVED BY	DRAWING No.
SIRONSIDE	BB	TM	INVD-001 1of1
SCALE	DATE	SHEET SIZE	JOB No.
1:20	DECEMBER 2008	A2	

PLAN



PLAN



END ELEVATION [OUTLET]

SIDE ELEVATION