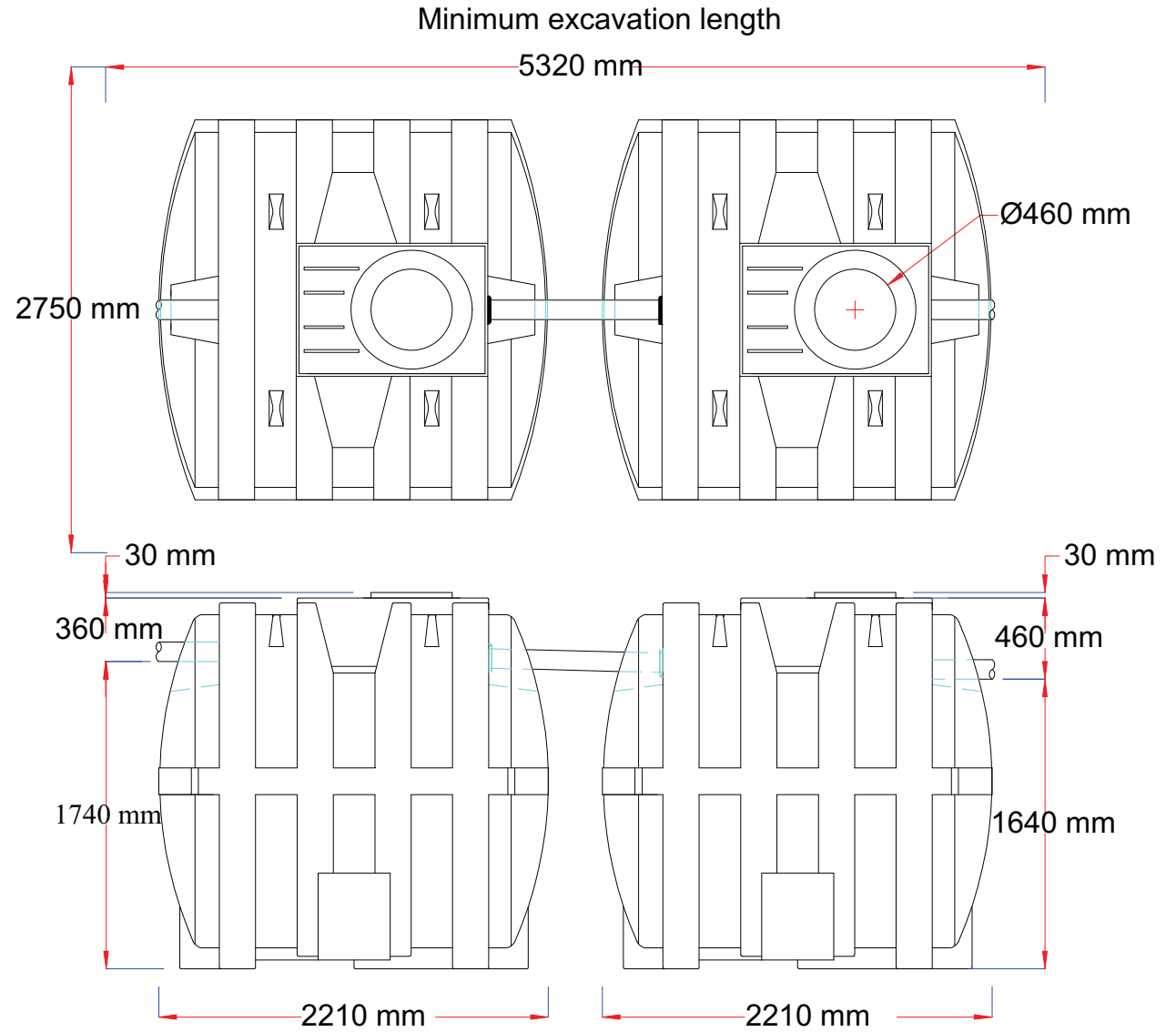


Minimum excavation width



## 2-Stage Washdown Separator

Nominal working capacity: 12,000 litres

Inlet: Ø110mm

Outlet: Ø110mm

Weight: 270 kg

|                            |                     |                       |
|----------------------------|---------------------|-----------------------|
| THIRD ANGLE PROJECTION<br> | DRAWN<br>gf         | SCALE<br>Not to scale |
|                            | TOLERANCE<br>+/- 2% | SHEET<br>1 of 1       |