

Single Stage Washdown Separator

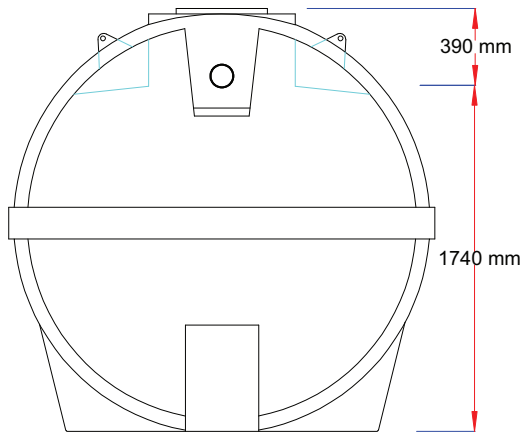
Nominal working capacity: 6,000 litres

Inlet: Ø110mm

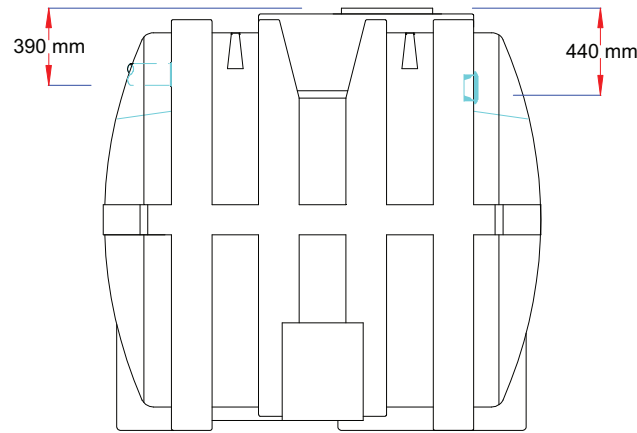
Outlet: Ø110mm

Weight: 270 kg

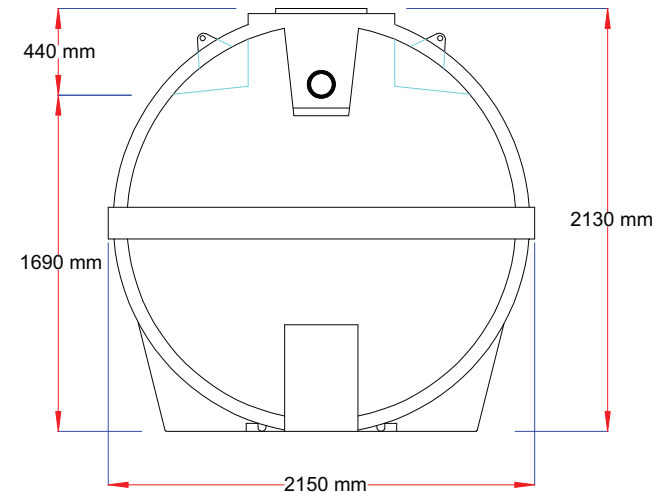
Material: High density, low melt index hexane polyethylene (HDPE)



VIEW ON INLET



SIDE ELEVATION



VIEW ON OUTLET