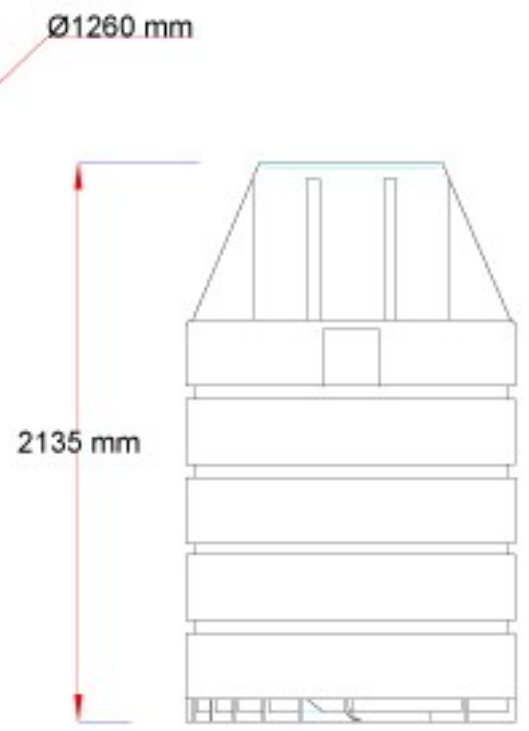
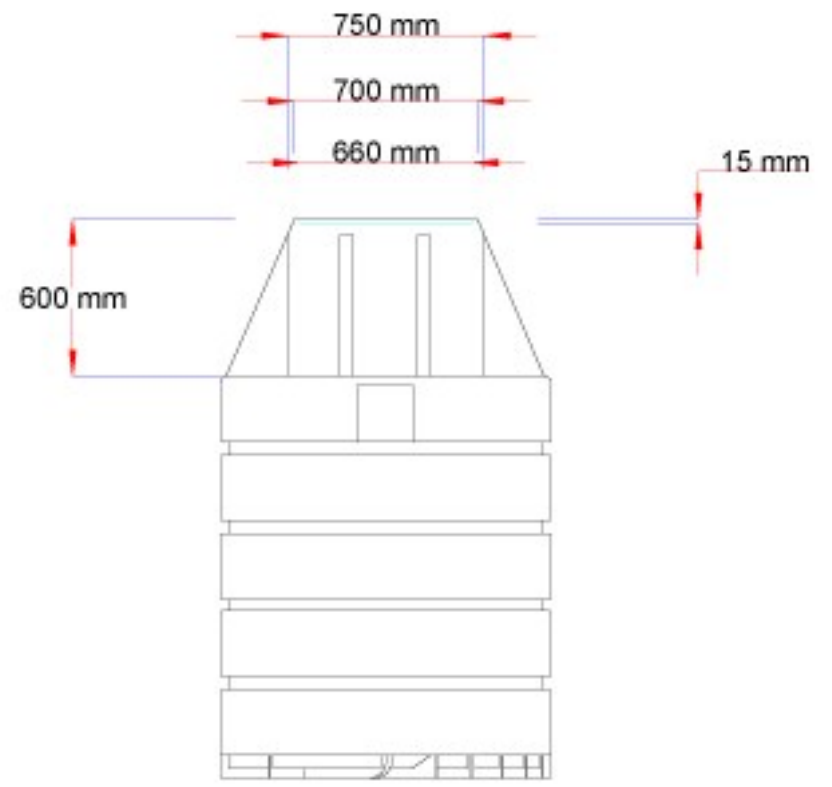


PLAN VIEW



FRONT ELEVATION



END ELEVATION