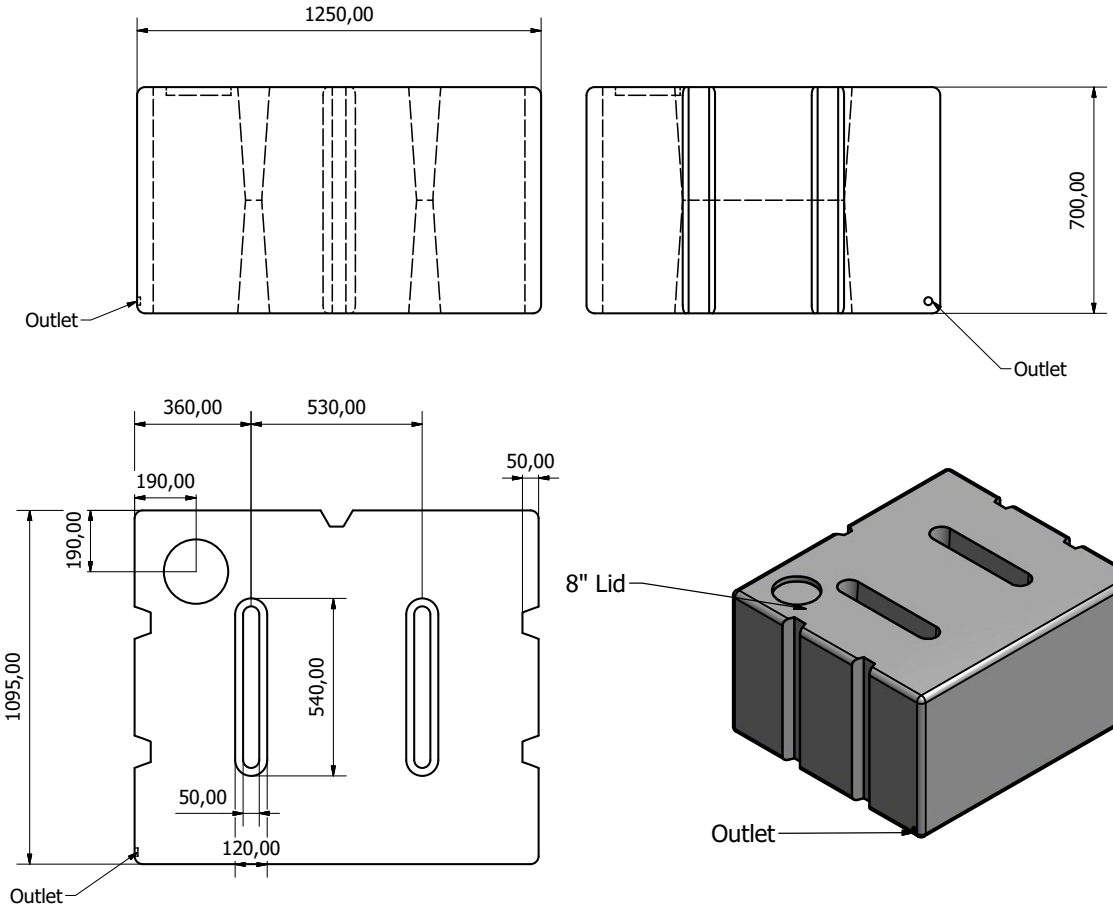




800 Litre Baffled Water Tank, Flat



Height (mm): 700
 Length (mm): 1095
 Width (mm): 1250
 Capacity (Litres): 800
 Weight (Kg): 52.00
 Outlet Size: 1" BSP Female
 Lid size (mm): 200



This drawing and the information thereon is the sole property of Tanks Direct Limited and shall not be copied or reproduced without the consent of Tanks Direct Limited. dimensions are all in mm unless otherwise stated. all tolerances +/- 1mm unless stated.

01643 703358
www.tanks-direct.co.uk

