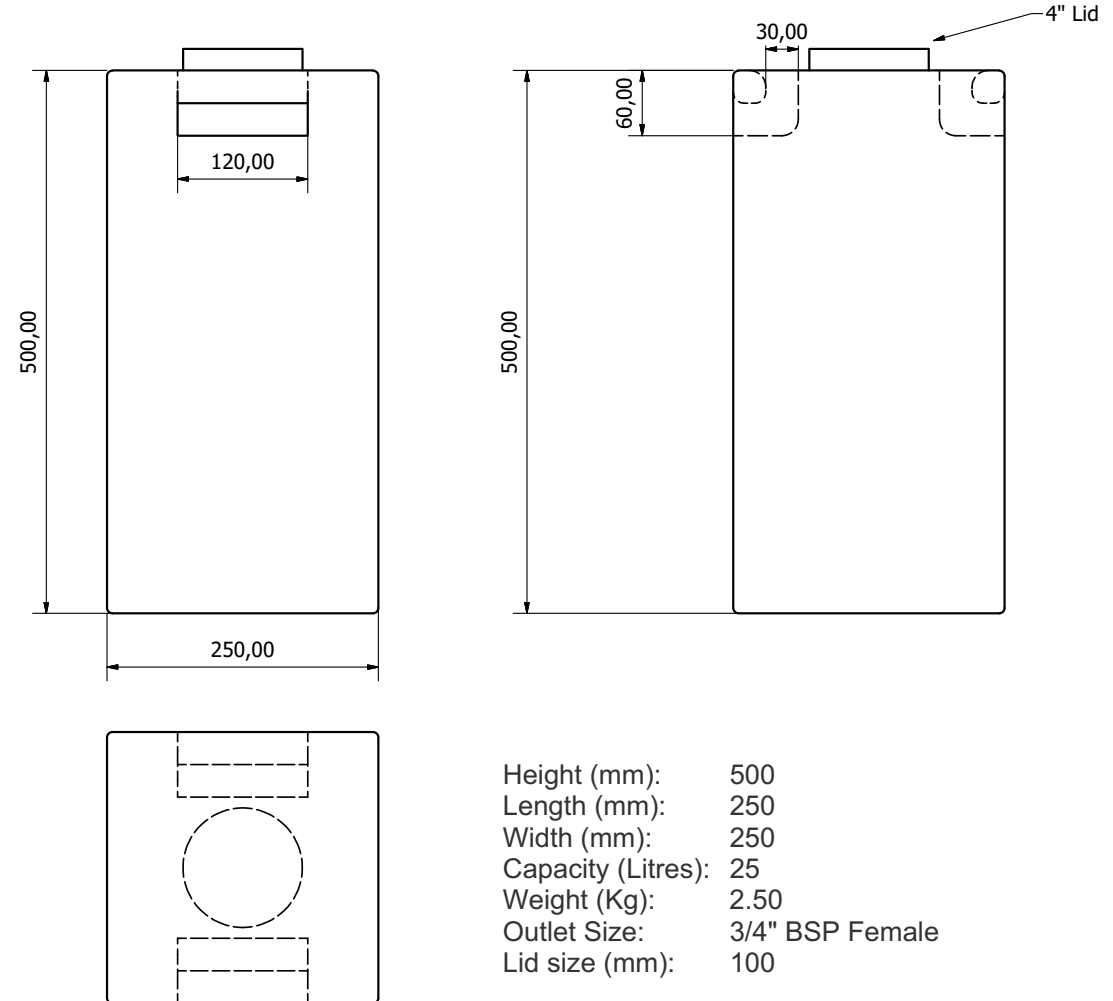
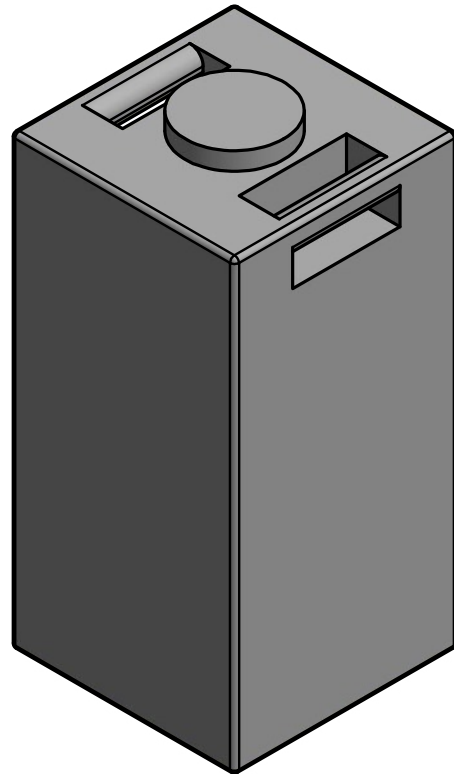




25 Litre Water Tank with handles



This drawing and the information thereon is the sole property of Tanks Direct Limited and shall not be copied or reproduced without the consent of Tanks Direct Limited. dimensions are all in mm unless otherwise stated. all tolerances +/- 1mm unless stated.