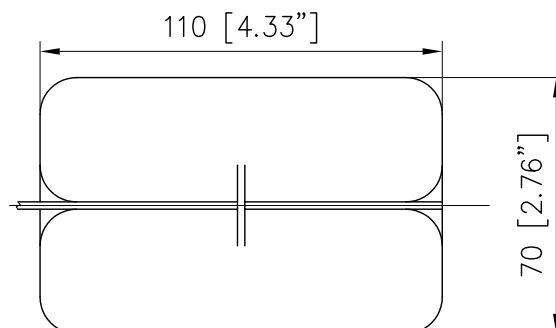
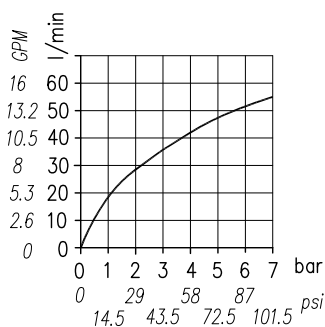
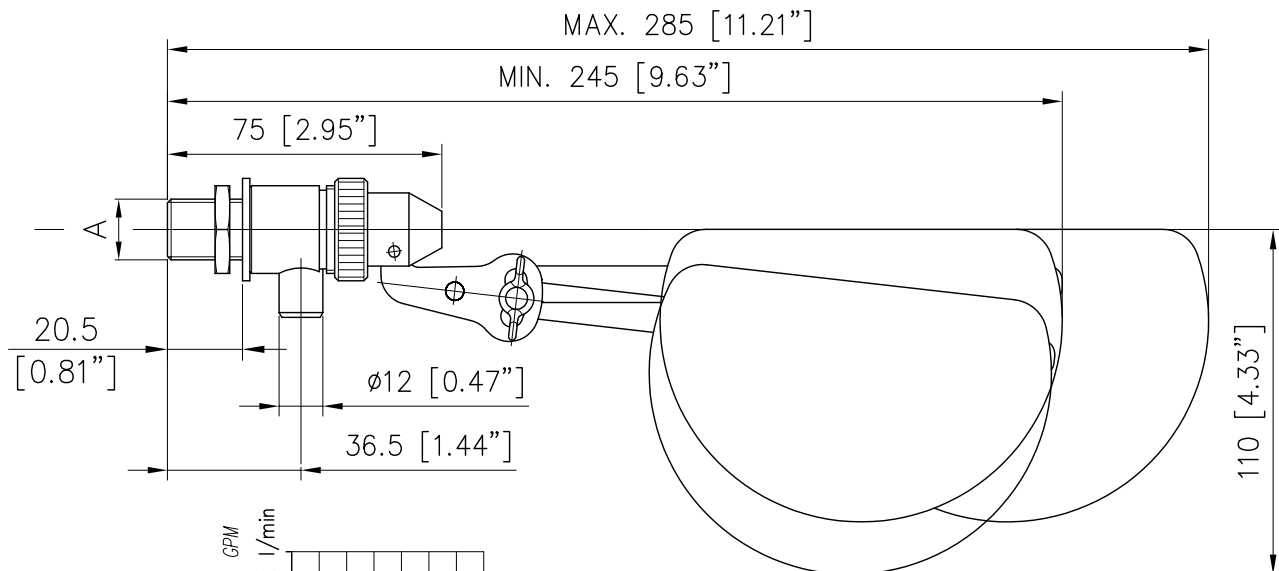


## SPECIFICATIONS

- FUNZIONAMENTO WORKING	APERTURA E CHIUSURA CON COMANDO DIRETTO FLOW ON-OFF DIRECT
- PRESSIONE MASSIMA MAX PRESSURE	10 bar – 1 MPa (145 psi)
- PORTATA A 1 bar – 0.1 MPa (14.5 psi) FLOW RATE AT 1 bar – 0.1 MPa (14.5 psi)	20 l/min (5.3 USG p.m.)
- PORTATA A 2 bar – 0.2 MPa (29 psi) FLOW RATE AT 2 bar – 0.2 MPa (29 psi)	29 l/min (7.5 USG p.m.)
- TEMPERATURA MASSIMA MAX WORKING TEMPERATURE	60° C (140°F)

## MISURE D'INGOMBRO OVERALL DIMENSIONS



CODICE / CODE	A	
29.0160.00	G3/8 M	
29.0160.20	G3/4 M	
29.0160.10	G1/2 M	
29.0160.35	G3/4 M	CON PORTAGOMMA Ø17 / WITH HOSE BARB Ø0.67"

