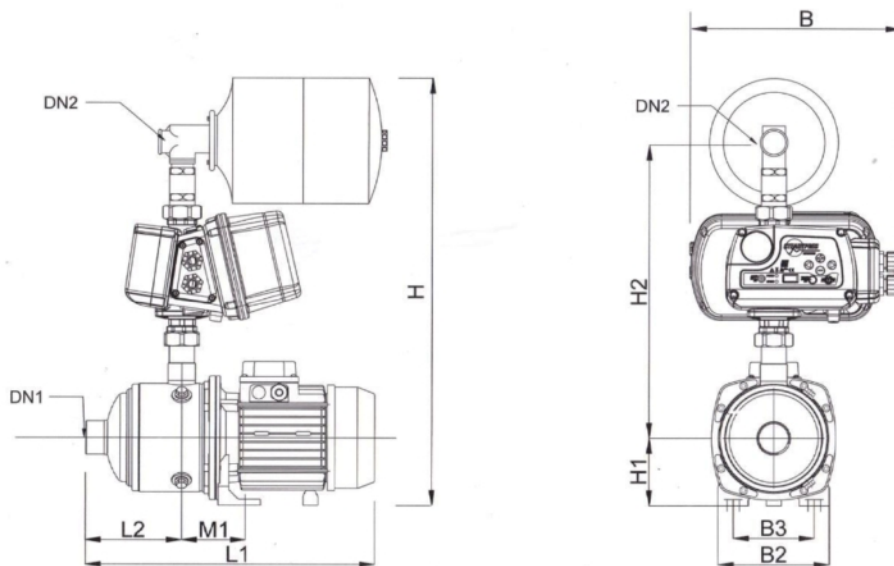


SINGLE BOOSTER SETS



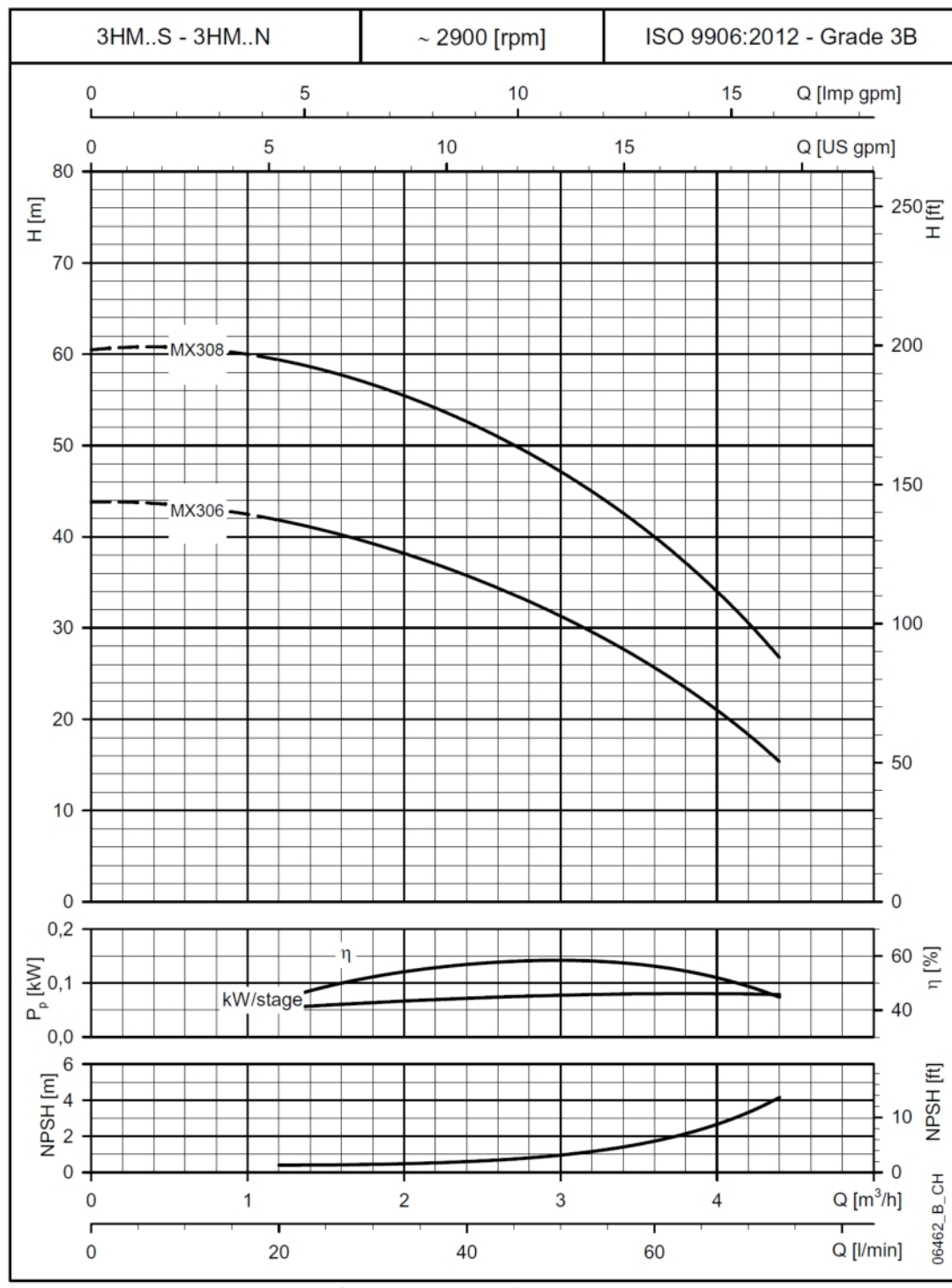
Model	DN1	DN2	B	B2	B3	H	H1	H2	L1	L2	M1	Weight (kg)
1MX306MT/8DPT	1"	1"	280	148	108	590	90	495	465	127	88-97	17
1MX308MT/8DPT	1"	1"	280	148	108	590	90	495	510	175	88-97	20
1MX506MT/8DPT	1 1/4"	1"	280	148	108	590	90	495	465	127	88-97	18
1MX508MT/8DPT	1 1/4"	1"	280	148	108	590	90	495	510	175	88-97	24
1MX1004MT/8DPT	1 1/2"	1"	280	148	108	610	90	495	485	148	92-101	22
1MX1006MT/8DPT	1 1/2"	1"	280	148	108	610	90	495	545	208	92-101	25

SINGLE SETS	Model	Supply Voltage	Motor P2 (kw)	Inlet	Outlet	Max Flow (l/Min)	Max Head (meters)	Full Load Current (Amps)
	1MX306MT/8DPT	230v-1ph-50hz	0.65	1"	1"	80	45	4.0
	1MX308MT/8DPT	230v-1ph-50hz	0.90	1"	1"	80	68	6.0
	1MX506MT/8DPT	230v-1ph-50hz	0.90	1 1/4"	1"	130	46	6.0
	1MX508MT/8DPT	230v-1ph-50hz	1.30	1 1/4"	1"	130	68	7.0
	1MX1004MT/8DPT	230v-1ph-50hz	1.50	1 1/2"	1"	250	48	8.0
	1MX1006MT/8DPT	230v-1ph-50hz	2.20	1 1/2"	1"	250	72	10.0

Tanks Direct Ltd, Channel House, Mart Road, Minehead, Somerset, TA24 5BJ

01643 703358 | sales@tanks-direct.co.uk | www.tanks-direct.co.uk



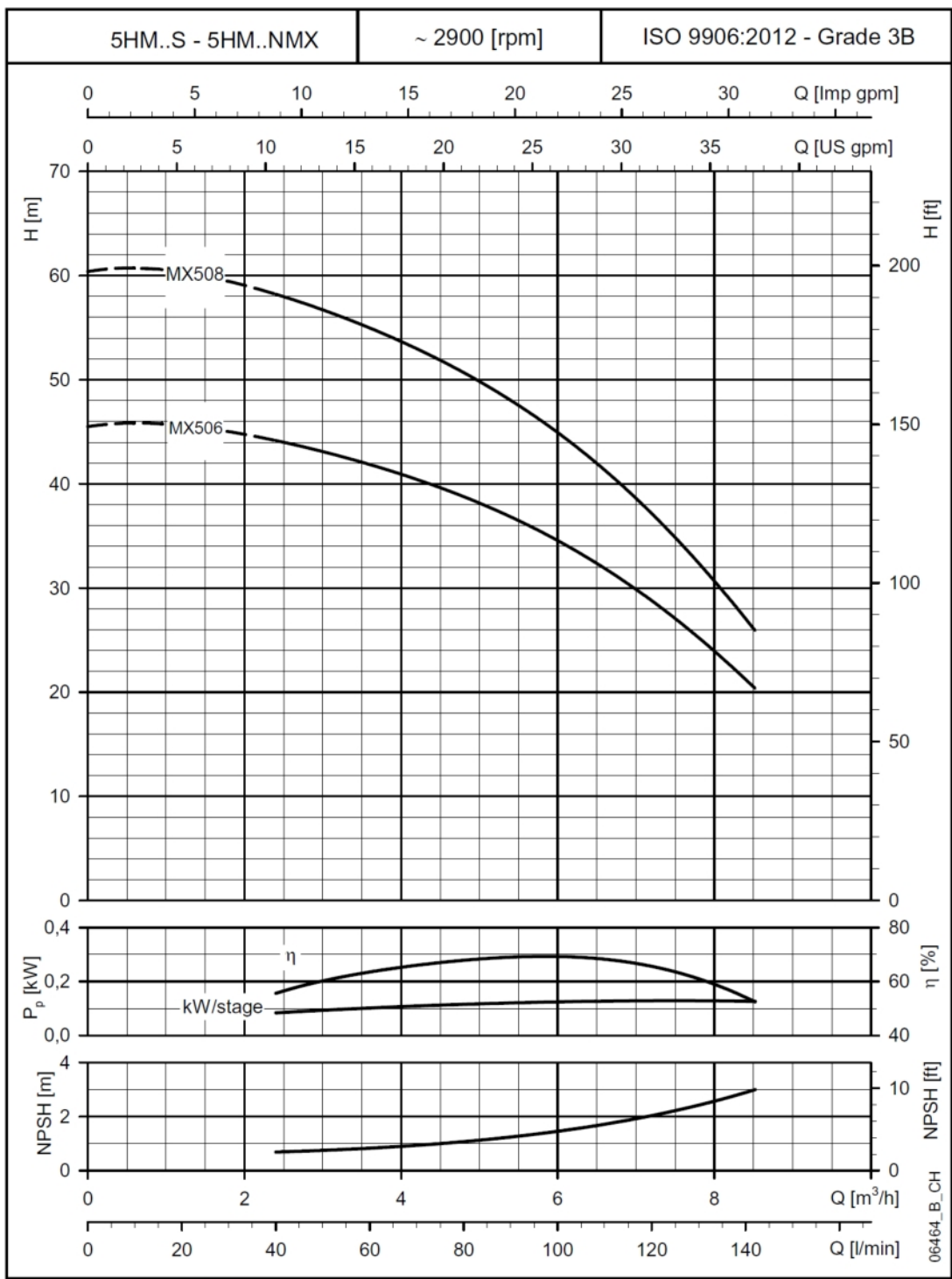


These performances are valid for liquids with density $\rho = 1.0 \text{ Kg/dm}^3$ and kinematic viscosity $\nu = 1 \text{ mm}^2/\text{sec}$.

Tanks Direct Ltd, Channel House, Mart Road, Minehead, Somerset, TA24 5BJ

01643 703358 | sales@tanks-direct.co.uk | www.tanks-direct.co.uk



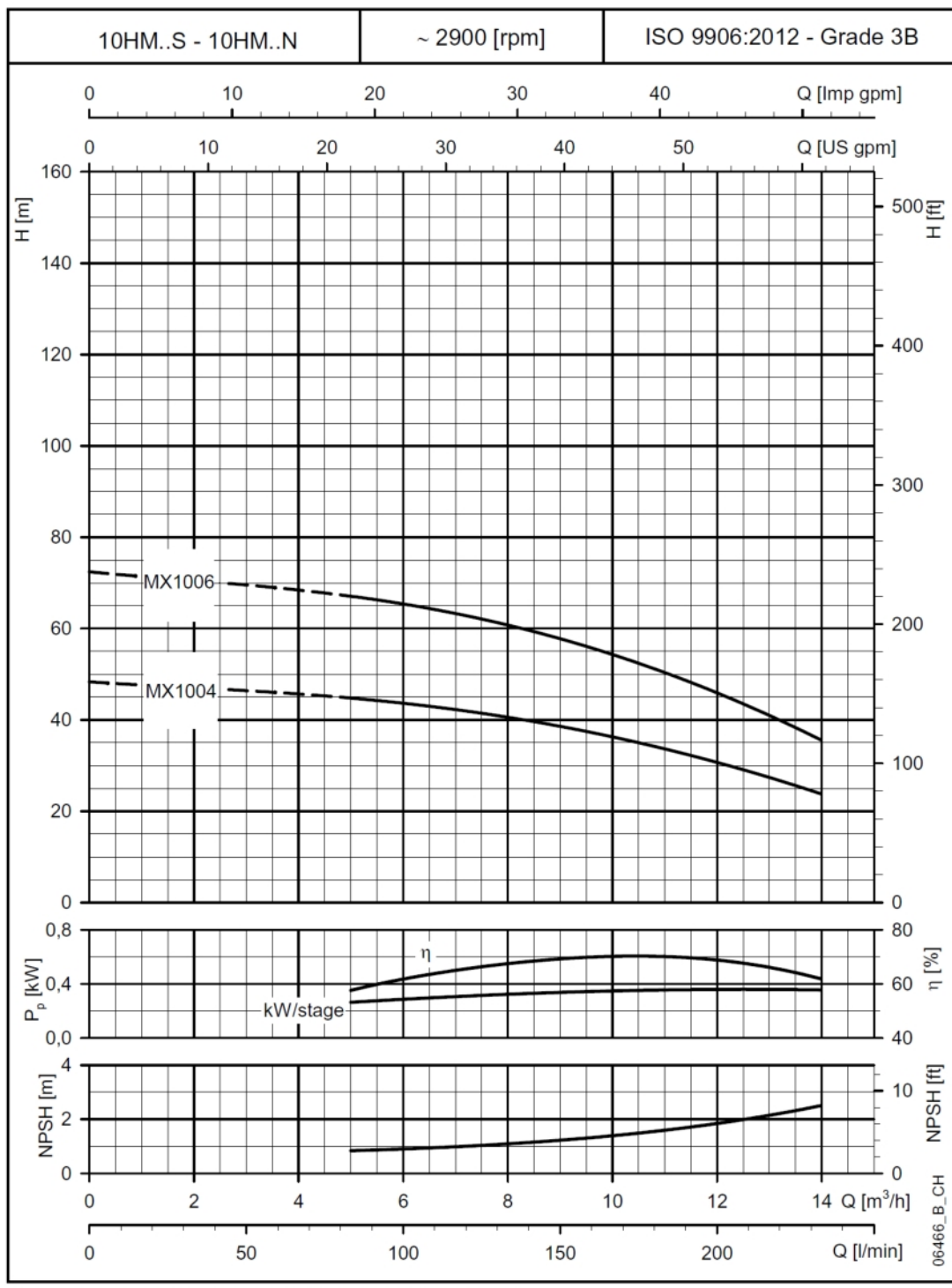


These performances are valid for liquids with density $\rho = 1.0 \text{ Kg/dm}^3$ and kinematic viscosity $\nu = 1 \text{ mm}^2/\text{sec}$.

Tanks Direct Ltd, Channel House, Mart Road, Minehead, Somerset, TA24 5BJ

01643 703358 | sales@tanks-direct.co.uk | www.tanks-direct.co.uk





These performances are valid for liquids with density $\rho = 1.0 \text{ Kg/dm}^3$ and kinematic viscosity $\nu = 1 \text{ mm}^2/\text{sec}$.

Tanks Direct Ltd, Channel House, Mart Road, Minehead, Somerset, TA24 5BJ

01643 703358 | sales@tanks-direct.co.uk | www.tanks-direct.co.uk

