

6

5

4

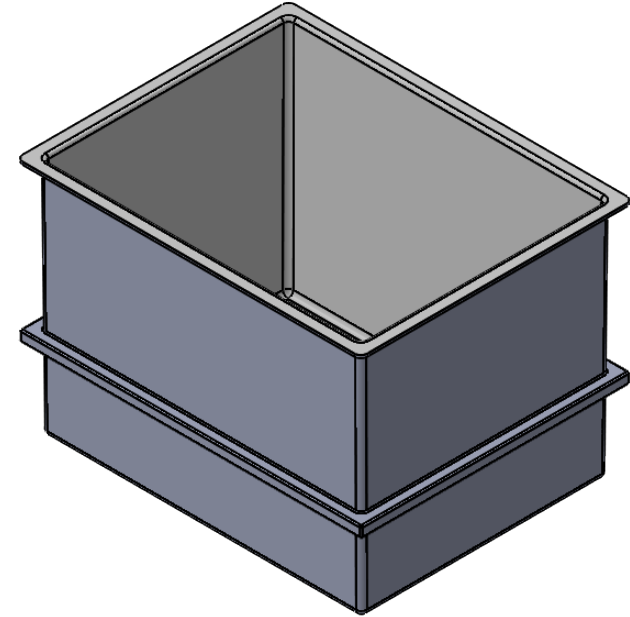
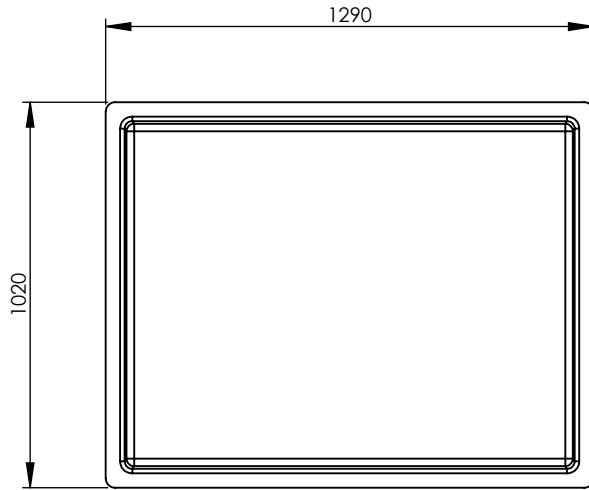
3

2

1

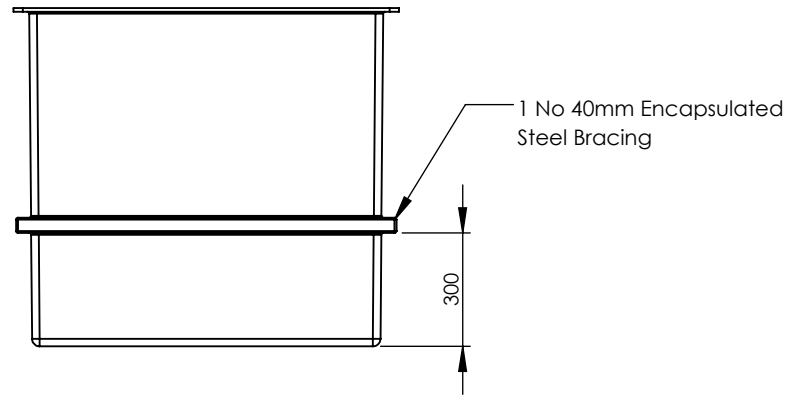
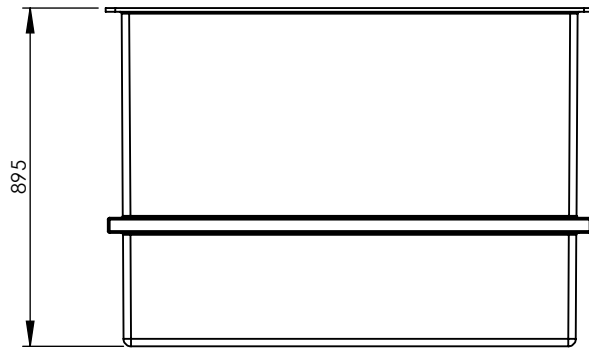
D

D



C

C



B

B

A

A

TITLE PW909.OPEN	
DRAWN BY C.MORRIS	DATE 01/03/2018
CUSTOMER CUSTOMER	

NOTE: All Tanks Direct tanks must be fully supported on a flat, level & continuous foundation providing structural support to the tank when full to maximum operating capacity. It is essential that the user refers to the conditions of installation document prior to the installation of the tank. Under no circumstances should the tank body be used to provide support to pipework and ancillary items.	A4
ALL DIMENSIONS +/- 5mm UNLESS OTHERWISE STATED	

DESCRIPTION: PW909.OPEN Cold water storage tank	ALL DIMENSIONS IN MM - DO NOT SCALE
---	-------------------------------------

DATE	VERSION	NOTES
01/03/2018	A	FIRST ISSUE

TANK SPECIFICATION :	
INTERNAL DIMENSIONS	1168 x 890 x 890mm
EXTERNAL DIMENSIONS	1290 x 1020 x 895mm
NOM. CAPACITY	909 Litres
DRY WEIGHT	89 KG
INSULATION THICKNESS	NONE
MATERIAL	GRP



SCALE:1:20 SHEET 1 OF 1

6

5

4

3

2

1