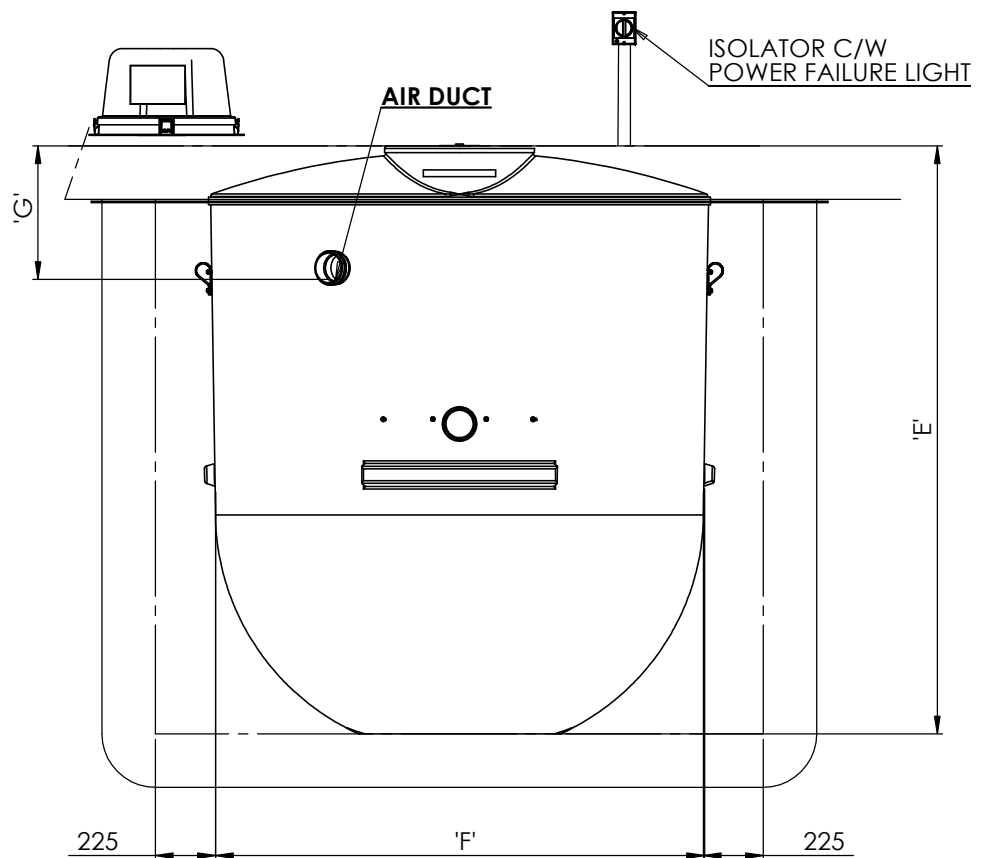
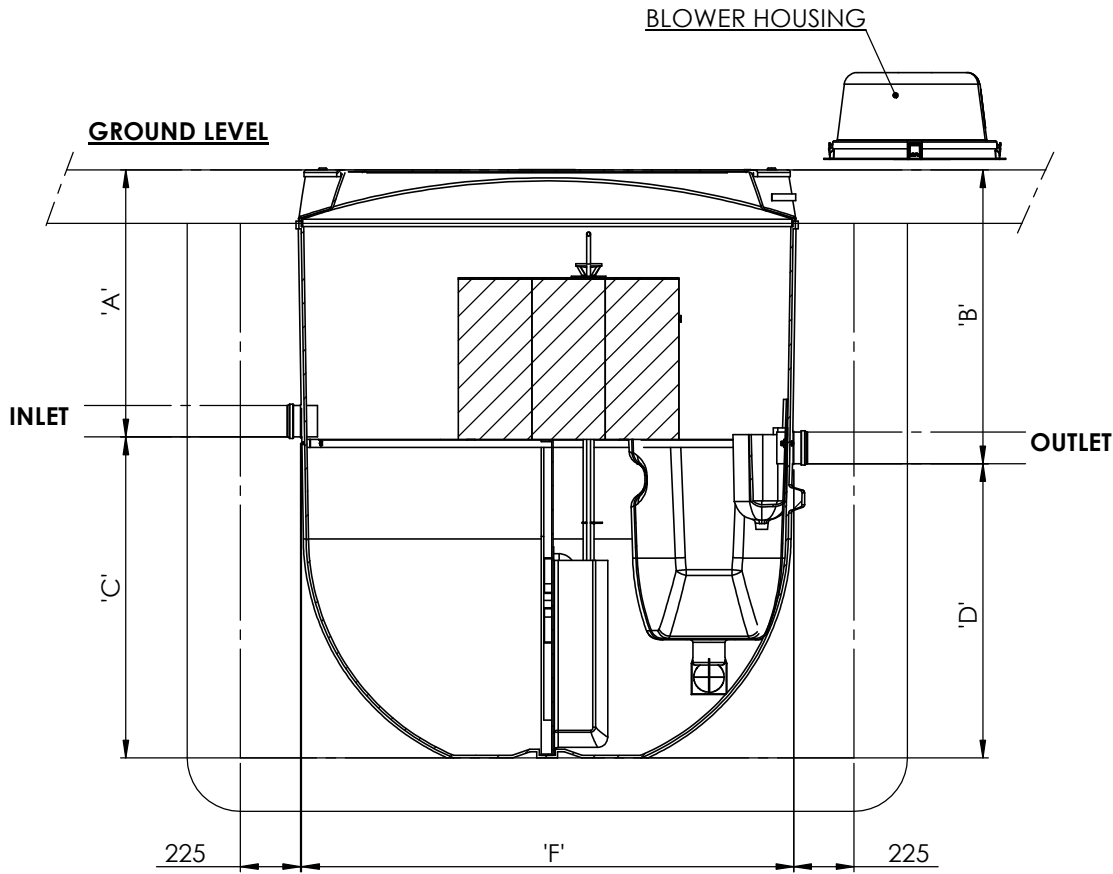


Notes:

1. This drawing is for 'Dimensional Information Only'. It is essential that this drawing is read in conjunction with the 'Installation Guidelines' supplied with the unit. (Copies available from our sales department).
2. All Pipe connections are \varnothing 110.0mm PVCu.
3. All units require appropriate 'Cover' & 'Frame' to suit site loadings (standard cover supplied).
4. Blower assembly mounted externally, within 10m of treatment plant.
5. \varnothing 160mm Inlet Option - By Exyernal Adaptor Only.

Unit Dimension Chart								
Unit	Dim 'A' (mm)	Dim 'B' (mm)	Dim 'C' (mm)	Dim 'D' (mm)	Dim 'E' (mm)	Dim 'F' (mm)	Dim 'G' (mm)	Unit Weight (Kgs)
P006G10AB	1000	1100	1200	1100	2200	1850	500	250
P006G15AB	1500	1600	1200	1100	2700	1850	500	270
P012G10AB	1000	1100	1700	1600	2700	1850	500	275
P012G15AB	1500	1600	1700	1600	3200	1850	500	295



Please check with Kingspan that this drawing is the latest issue			
Issue	Date	Drawn by	Approved by
01	07/04/15	M.H.	
		Description	
		CC1234 (INITIAL ISSUE)	

Material : Various	Tolerance :
Finish :	Thickness : n/a
Weight : 857.87 Kg Kgs	Surface Area :

Drawing : DS0968K - P6 & P12 Gravity Page 1 of 1
P6 and P12 Treatment Plant (Gravity)

All dimensions in mm
Scale: Not to scale

Kingspan Environmental reserve the right to alter the details of this drawing without prior notice. This drawing is copyright and may not be reproduced or used without the written permission of Kingspan Environmental.



Z:\Drawing Data\02 - Sales Drawings\DS\DS - 09\DS0968K - P6 & P12 Gravity