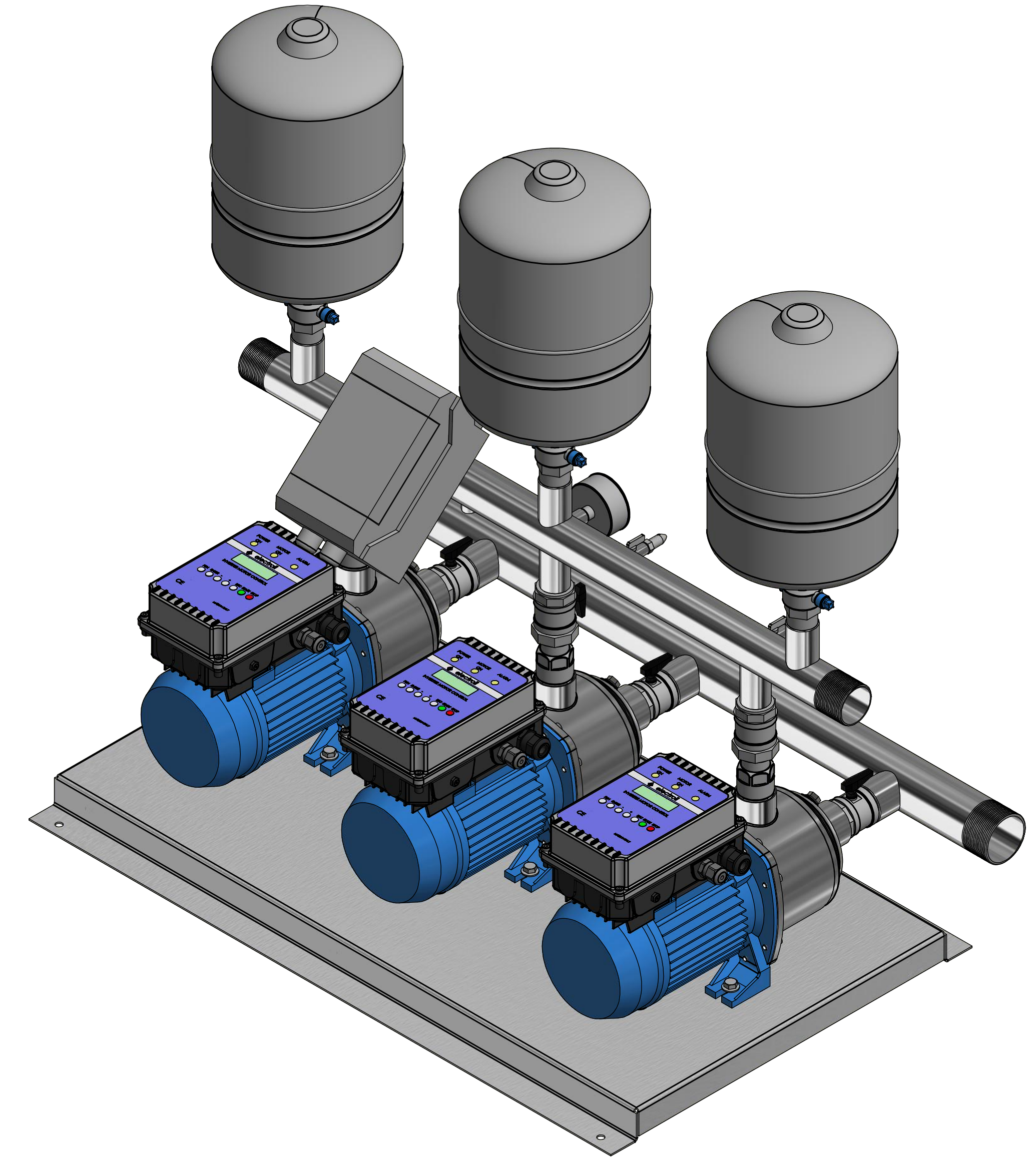
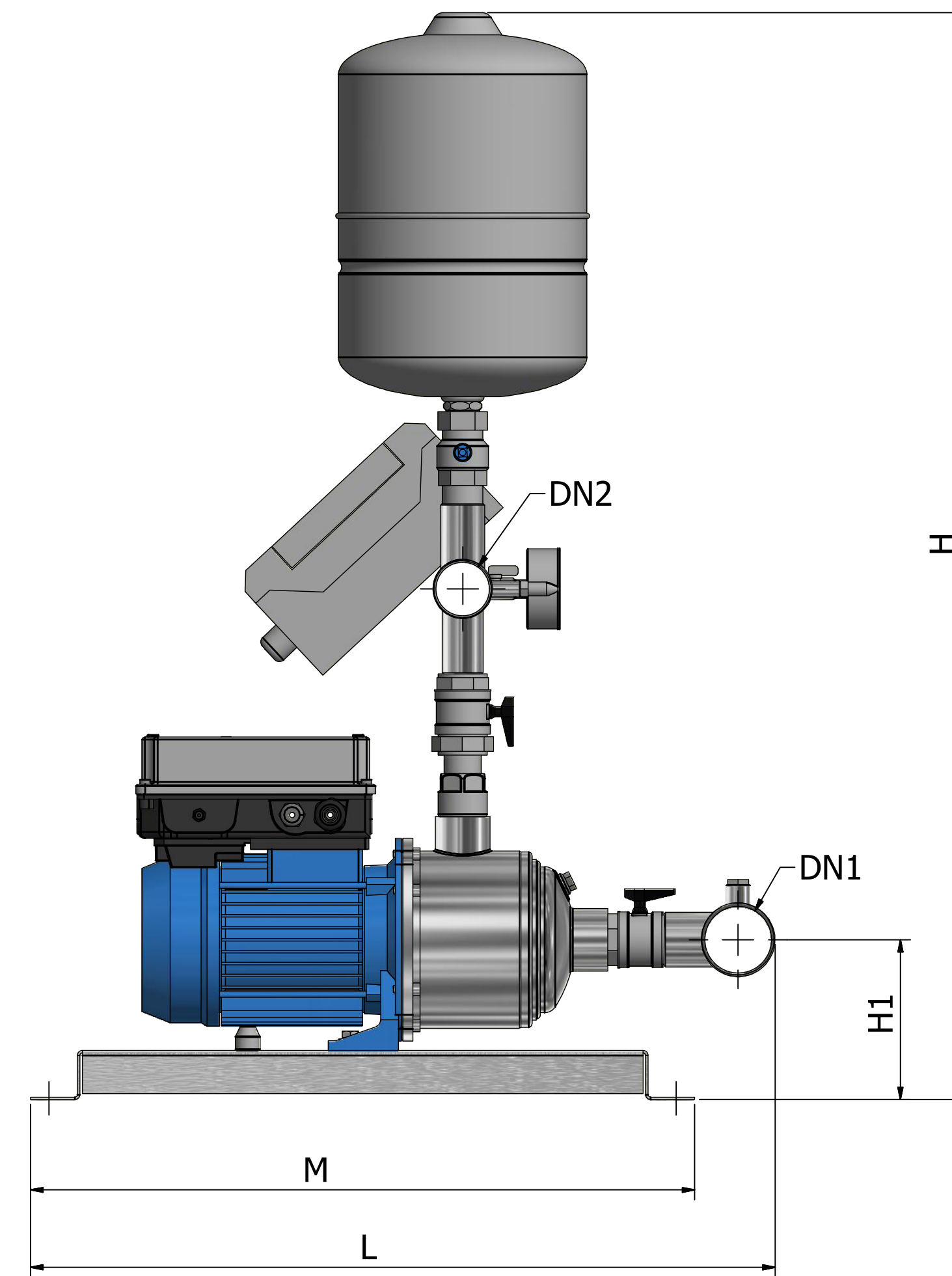
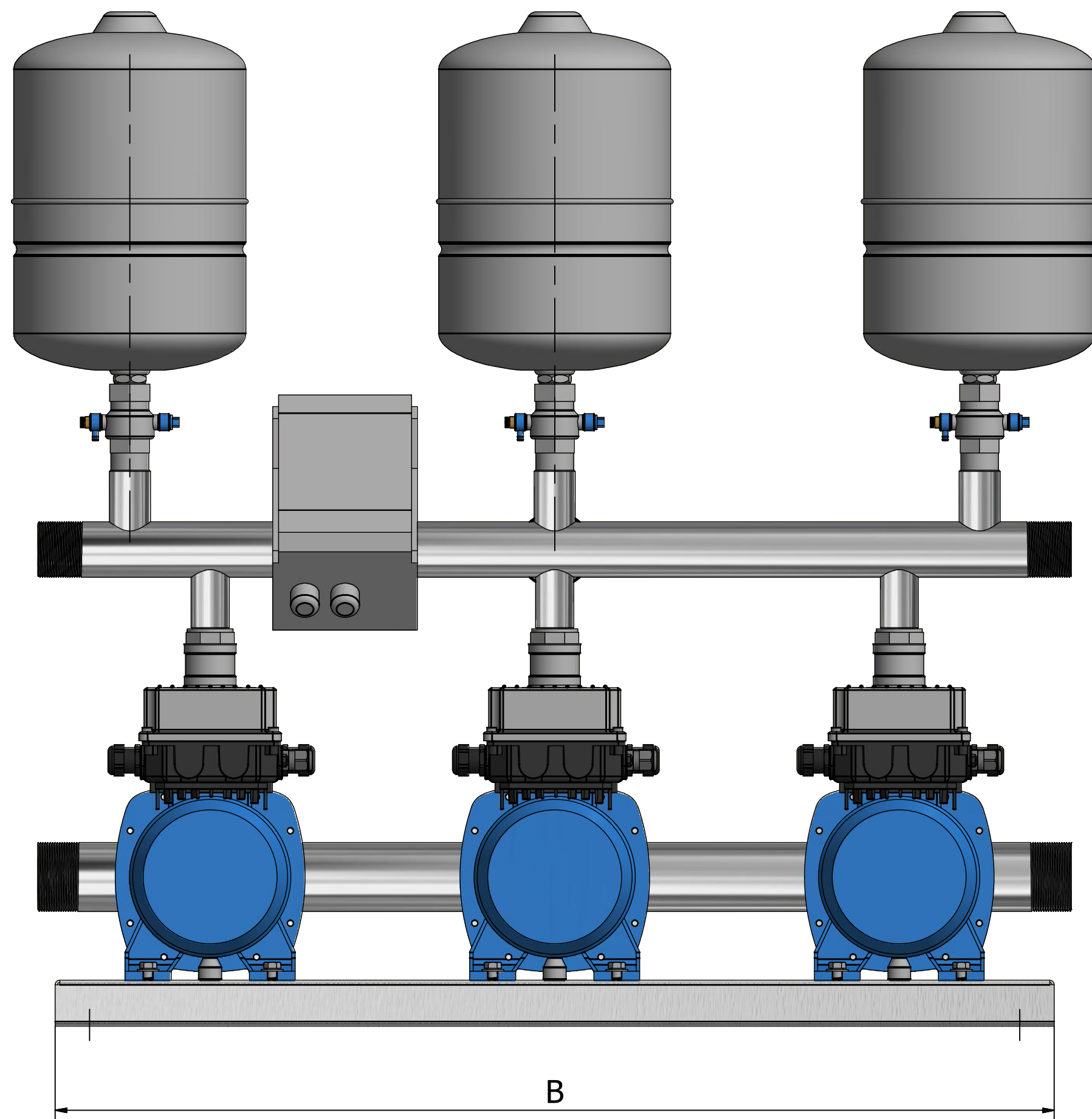


DIMENSIONS OF TRIPLE PUMP UNITS							
MODEL REF	DN1	DN2	B	H	H1	L	M
3MX10-2RS/24DPT	2.1/2"	2"	900	950	130	627	540
3MX10-3RS/24DPT	2.1/2"	2"	900	950	130	689	540
3MX10-4RS/24DPT	2.1/2"	2"	900	950	130	708	540
3MX10-5RS/24DPT	2.1/2"	2"	900	950	130	722	540
3MX10-6RS/24DPT	2.1/2"	2"	900	950	130	739	540



Rev	Date	Description
THIRD ANGLE PROJECTION		
<p>THIS DRAWING IS CONFIDENTIAL AND MAY NOT BE USED, COPIED OR DISCLOSED TO ANYONE WITHOUT THE PERMISSION OF D.P. & T.</p>		
PRODUCT CODE		PRODUCT DESCRIPTION TRIPLE SERIES
Drawn By:	R.U.	Checked By: C.W.
Drawn Date:	01/02/2021	Checked Date: 01/02/2021
Approved By:	C.W.	REV 1
Approved Date:	01/02/2021	SIZE A3
SHEET 1 OF 1		SCALE 1:4