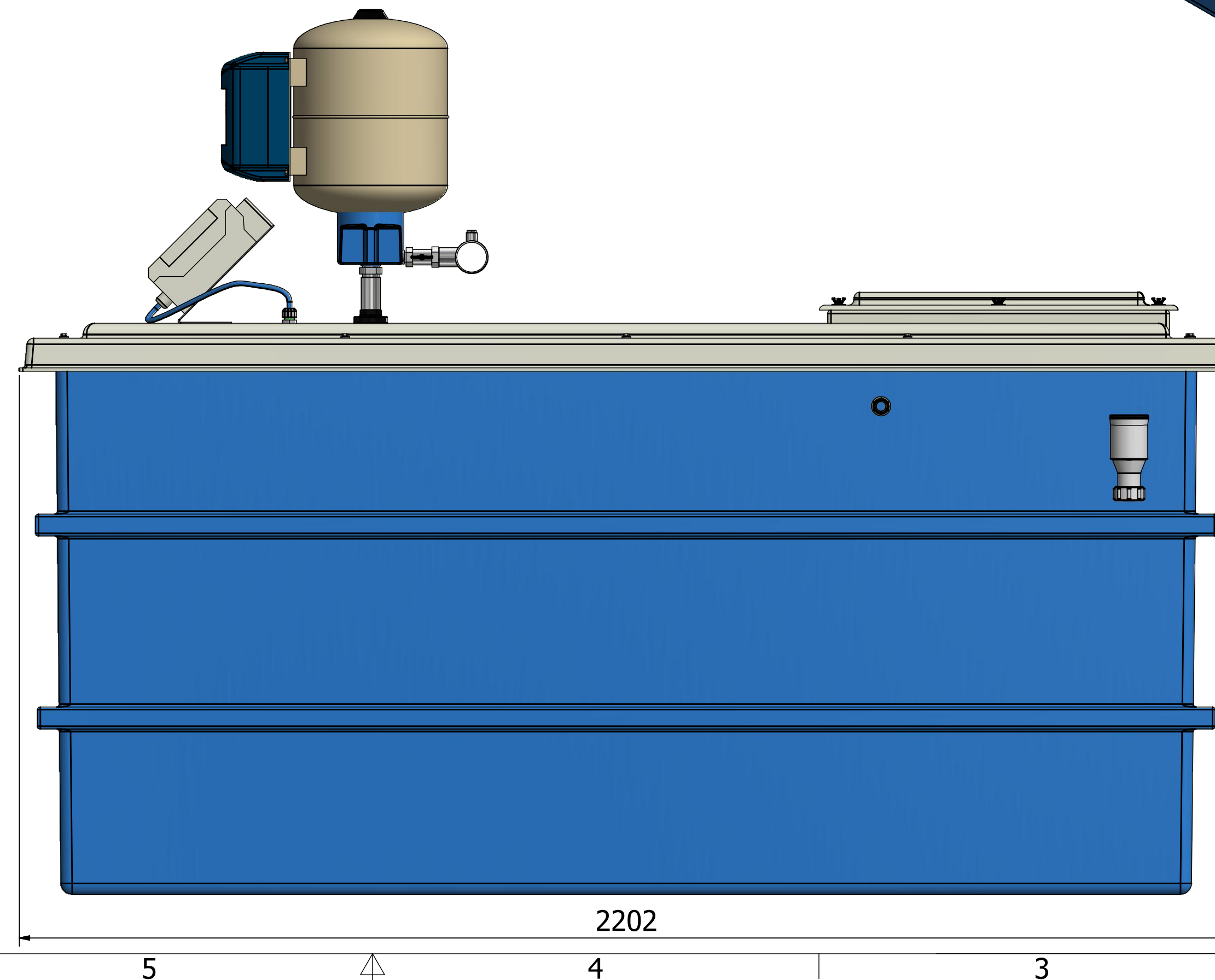
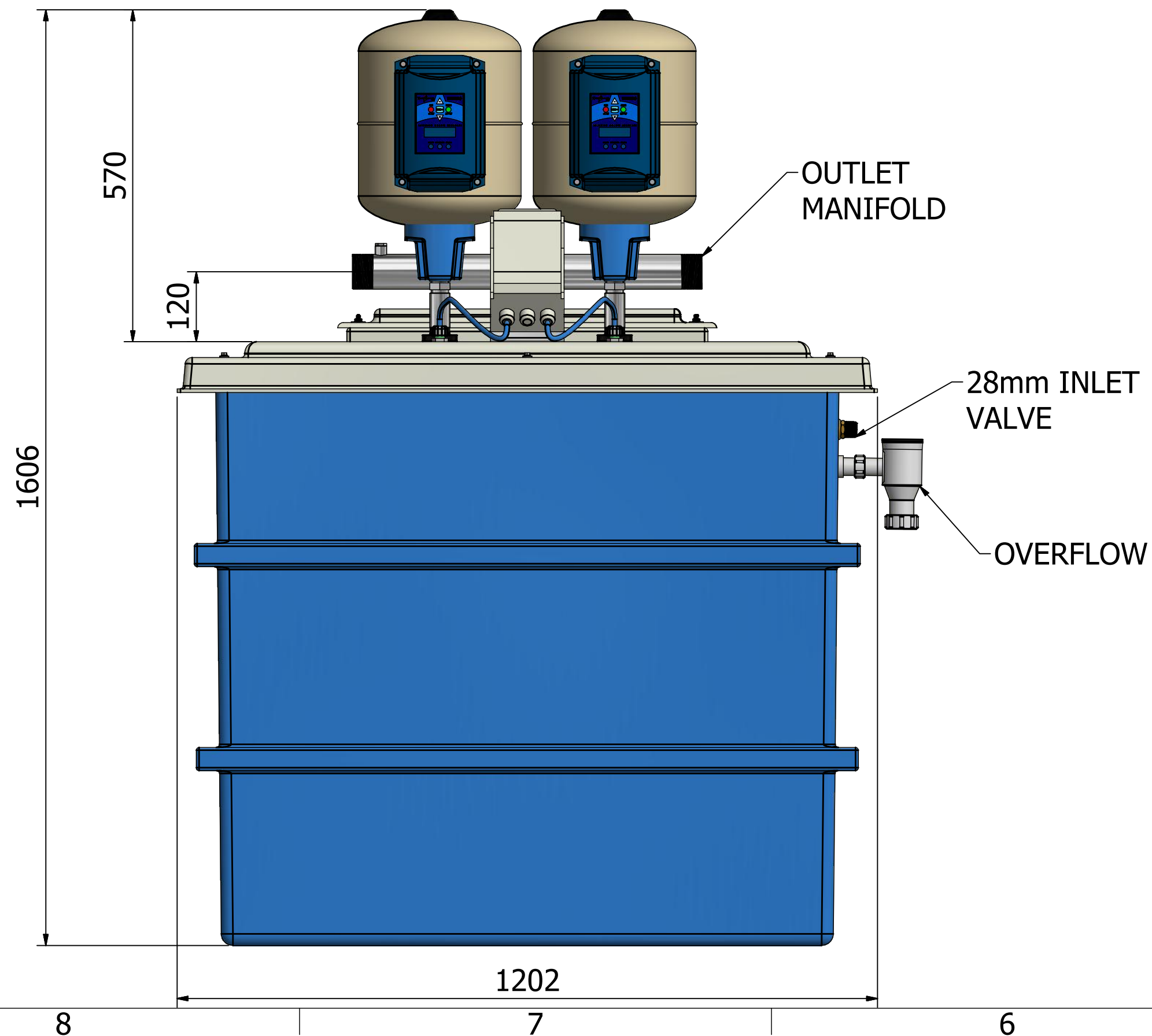
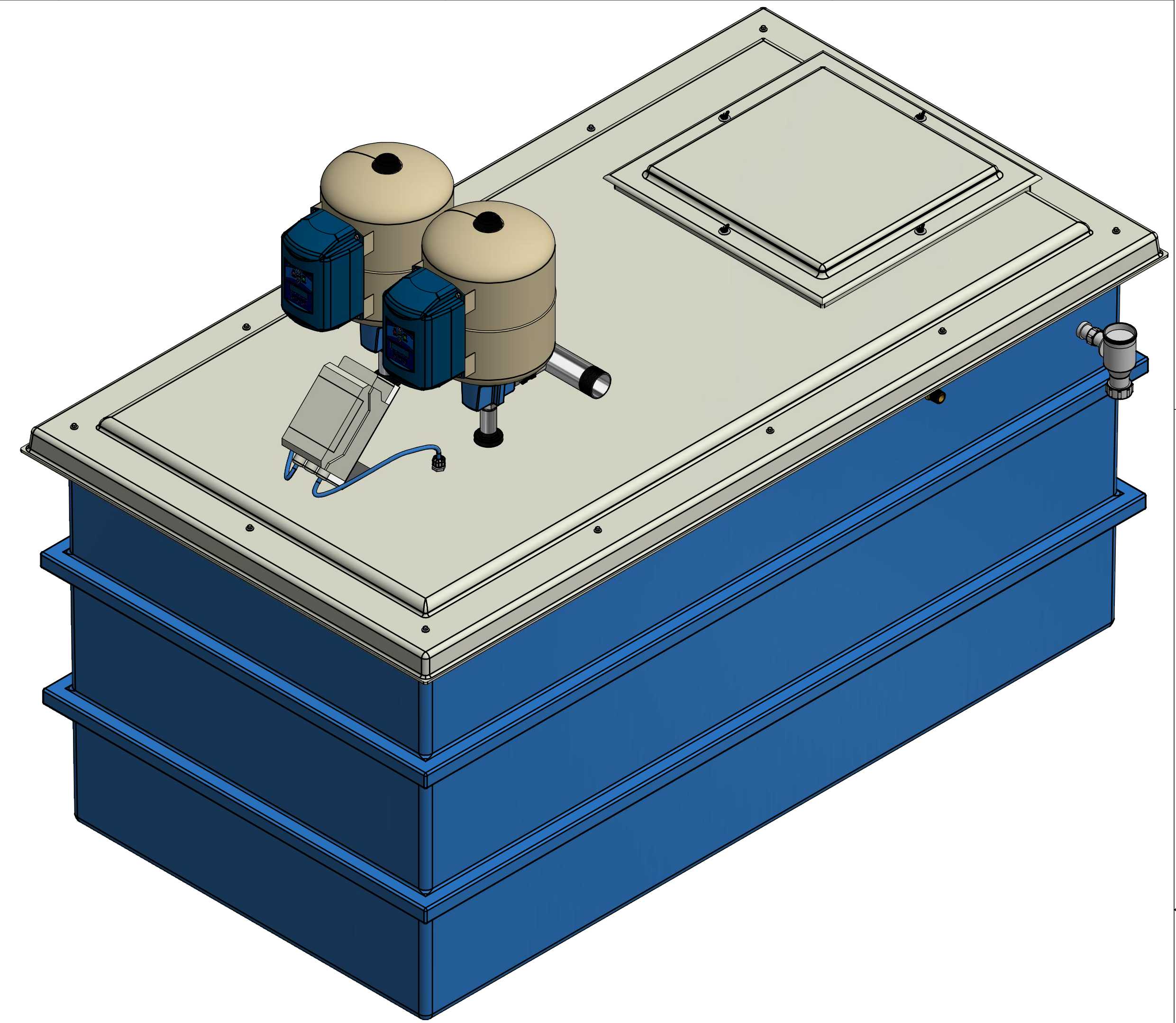


SCALE 1:10



INVERTERS CAN BE POSITIONED IN DIFFERENT CONFIGURATIONS DEPENDING ON SITE LAYOUT

Rev	Date	Description
THIRD ANGLE PROJECTION		
<p>THIS DRAWING IS CONFIDENTIAL AND MAY NOT BE USED, COPIED OR DISCLOSED TO ANYONE WITHOUT THE PERMISSION OF D.P. & T.</p>		
<p>PRODUCT CODE FlyVar Compact T 2000L</p>		<p>PRODUCT DESCRIPTION TWIN PUMP VERSION</p>
Drawn By:	R.U.	Checked By: J.F.
Drawn Date:	23/05/2021	Checked Date: 23/05/2021
Approved By:	J.F.	Approved Date: 23/05/2021
REV	1	SHEET 1 OF 1
SIZE	A3	SCALE 1:7.5