

# DATA SHEET **OAK POINT – FIRST AID**

Hi visibility site information and equipment stand

## OAK POINT FIRST AID

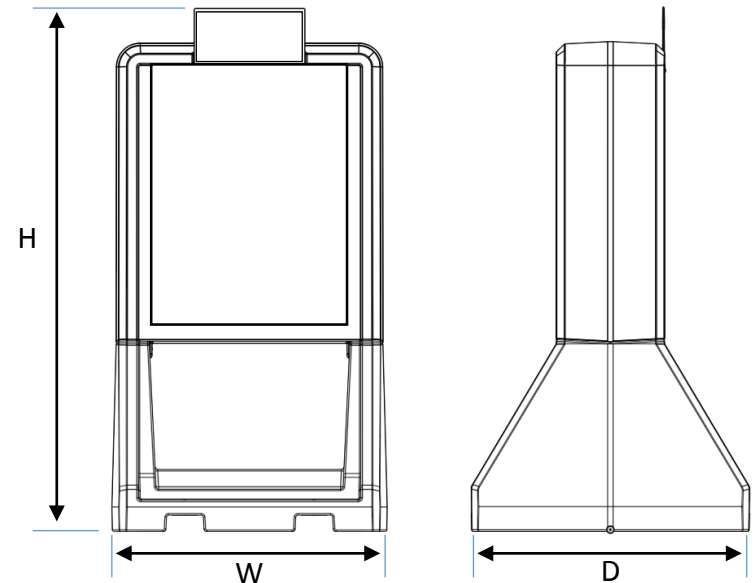
PRODUCT CODE	OPFA
DIMMENSIONS (MM)	H1905 X W1000 X D1010
MATERIAL	UV MDPE
FILL CAPACITY (L)	120L
WEIGHT E / F (KG)	34 / 154 KG
COLOURS	GREEN
COVER	CLEAR POLYCARBONATE
SIGNAGE AREAS	H925 X W715 X D145 MM
BASE SHELVES	W660 X D370MM
NO PER PALLET	1



REAR SHELVES

COVERED SIGNAGE  
AND SHELF AREAS  
FRONT AND REAR

BASE SHELF AREA  
FRONT AND REAR  
WITH COVER  
OPTION



# DATA SHEET **OAK POINT – FIRE**

Hi visibility site information and equipment stand

## OAK POINT FIRE

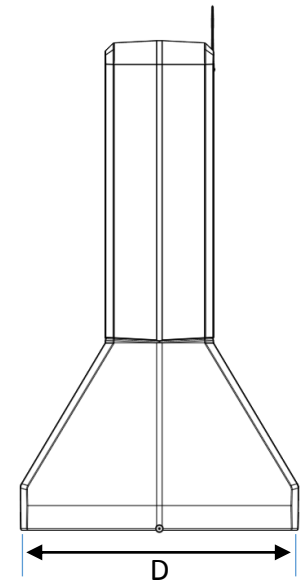
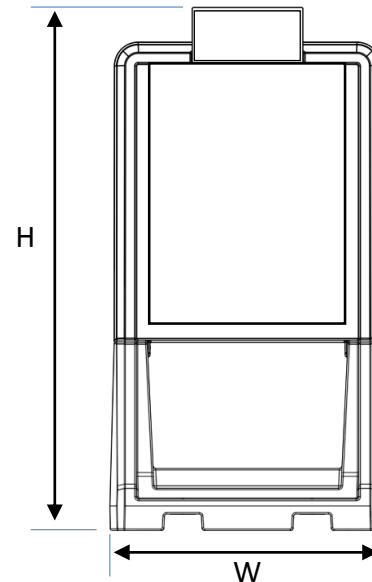
PRODUCT CODE	OPFS
DIMMENSIONS (MM)	H1905 X W1000 X D1010
MATERIAL	UV MDPE
FILL CAPACITY (L)	120L
WEIGHT E / F (KG)	34 / 154 KG
COLOURS	RED
COVER	CLEAR POLYCARBONATE
SIGNAGE AREAS	H925 X W715 X D145 MM
BASE SHELVES	W660 X D370MM
NO PER PALLET	1



REAR SHELVES

COVERED SIGNAGE  
AND SHELF AREAS  
FRONT AND REAR

BASE SHELF AREA  
FRONT AND REAR  
WITH COVER  
OPTION



# DATA SHEET **OAK POINT – SPILL KIT**

Hi visibility site information and equipment stand

## OAK POINT SPILL KIT



REAR SHELVES

PRODUCT CODE	OPSM
DIMMENSIONS (MM)	H1905 X W1000 X D1010
MATERIAL	UV MDPE
FILL CAPACITY (L)	120L
WEIGHT E / F (KG)	34 / 154 KG
COLOURS	YELLOW
COVER	CLEAR POLYCARBONATE
SIGNAGE AREAS	H925 X W715 X D145 MM
BASE SHELVES	W660 X D370MM
NO PER PALLET	1

