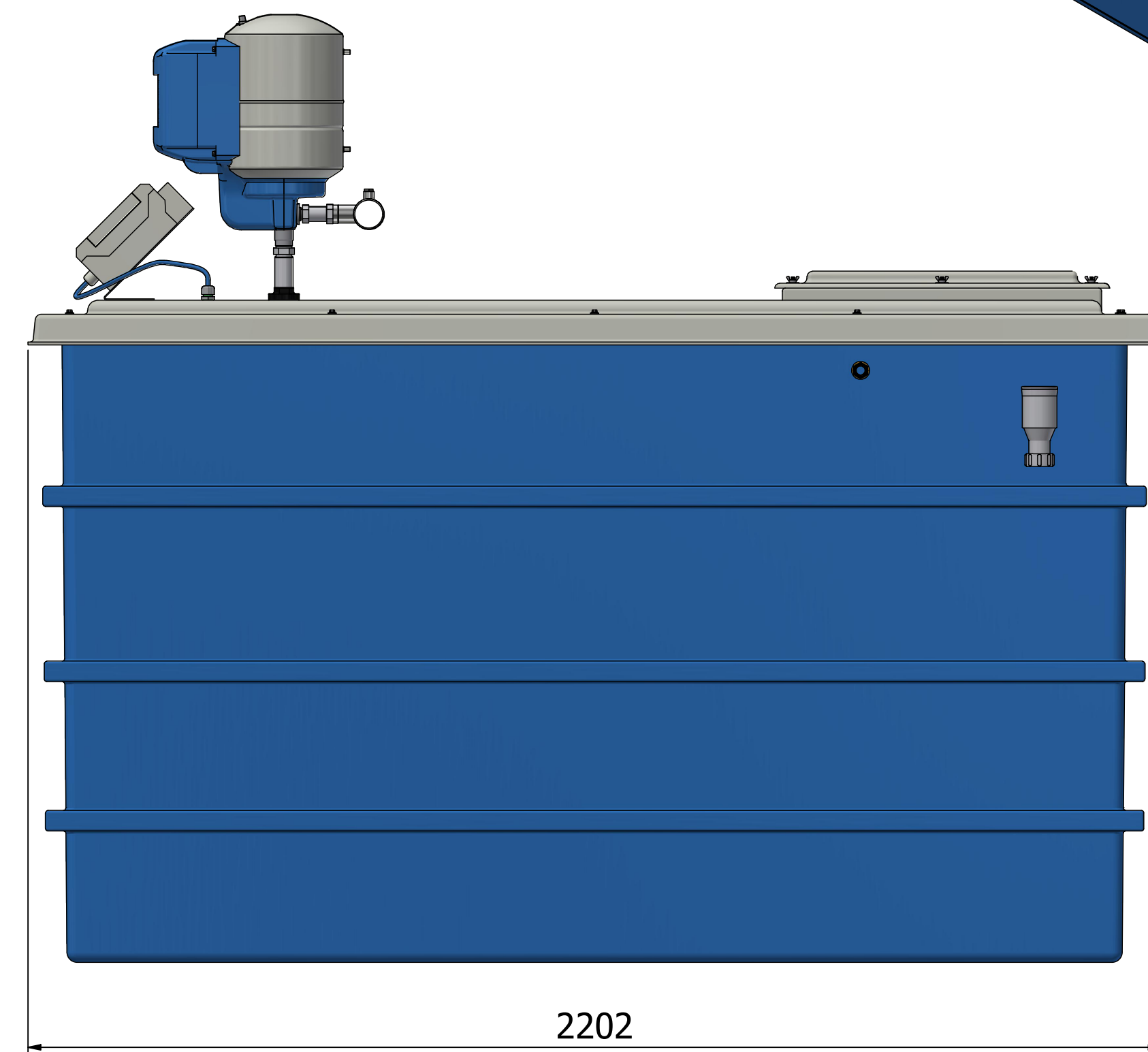
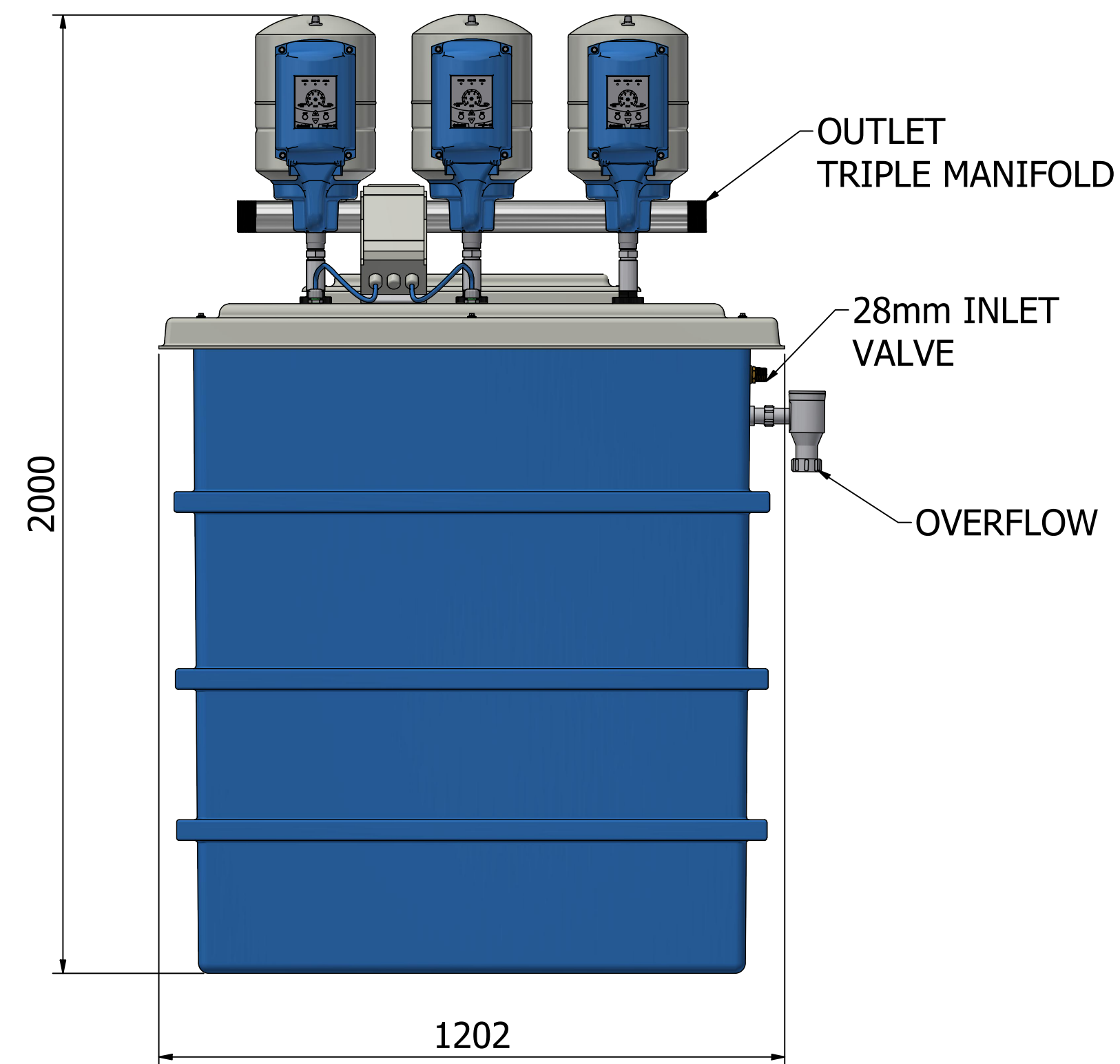
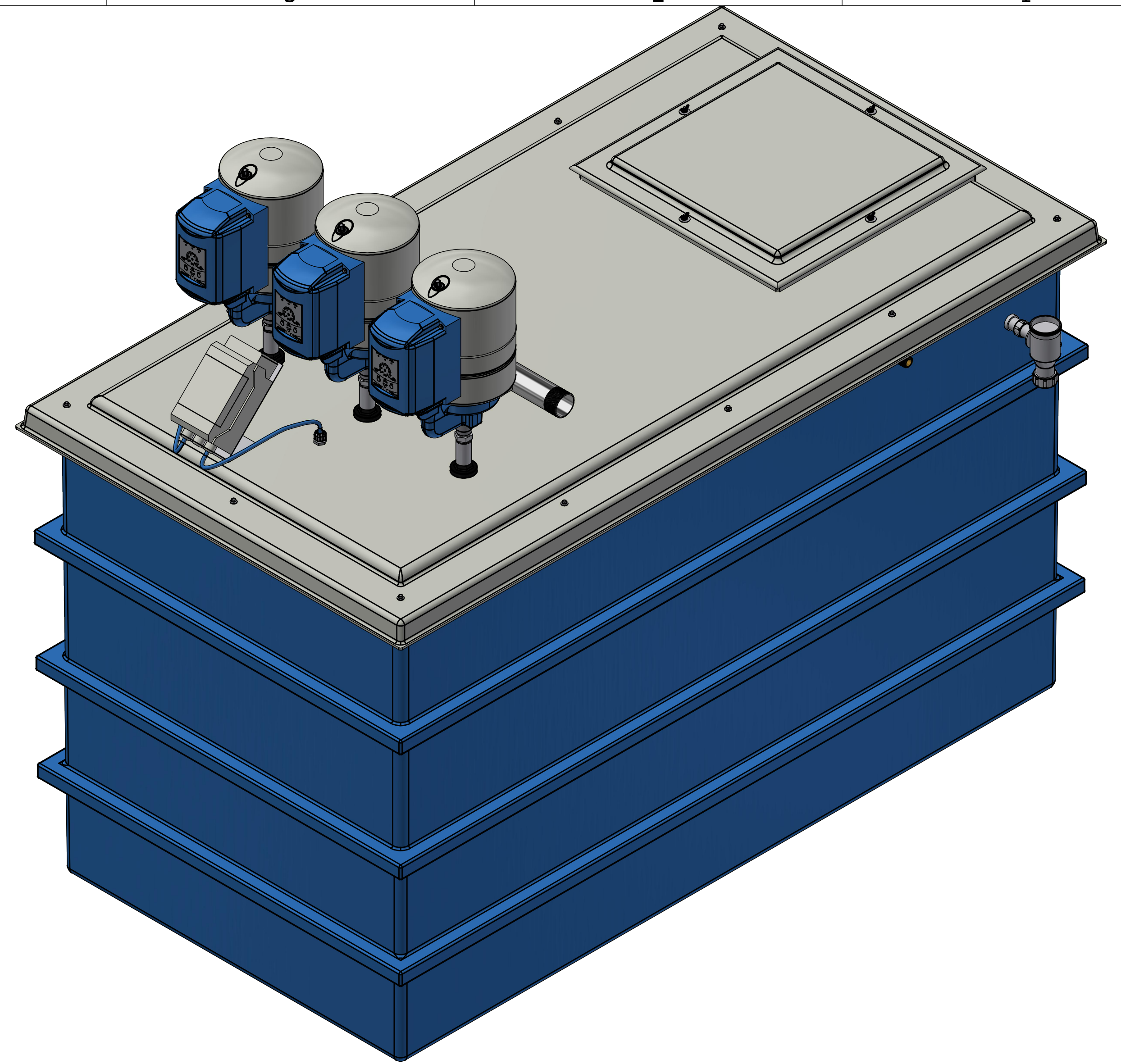


SCALE 1:10



Rev	Date	Description
THIRD ANGLE PROJECTION		
THIS DRAWING IS CONFIDENTIAL AND MAY NOT BE USED, COPIED OR DISCLOSED TO ANYONE WITHOUT THE PERMISSION OF D.P. & T.		
PRODUCT CODE		PRODUCT DESCRIPTION
FlyVar CompactTR 2501L AG		TRIPLE PUMP VERSION
Drawn By:	R.U.	Checked By: J.F.
Approved By:	J.F.	REV 1
Drawn Date:	20/03/2023	Checked Date: 20/03/2023
Approved Date:	20/03/2023	SIZE A3
		SHEET 1 OF 1
		SCALE 1:10

