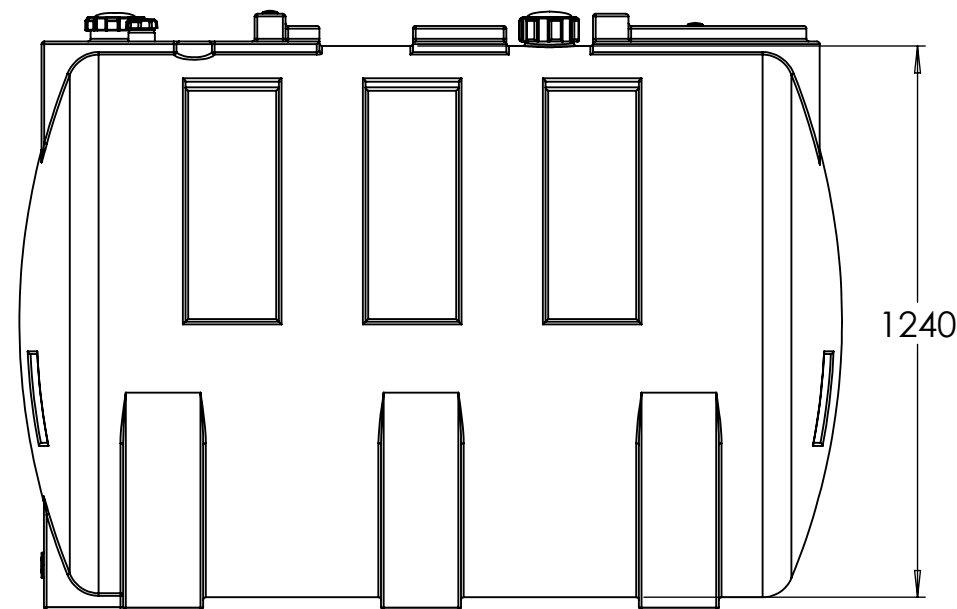
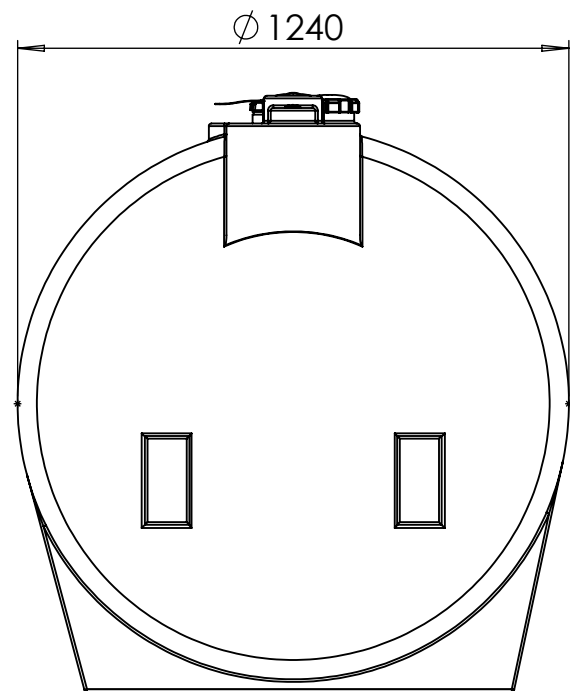
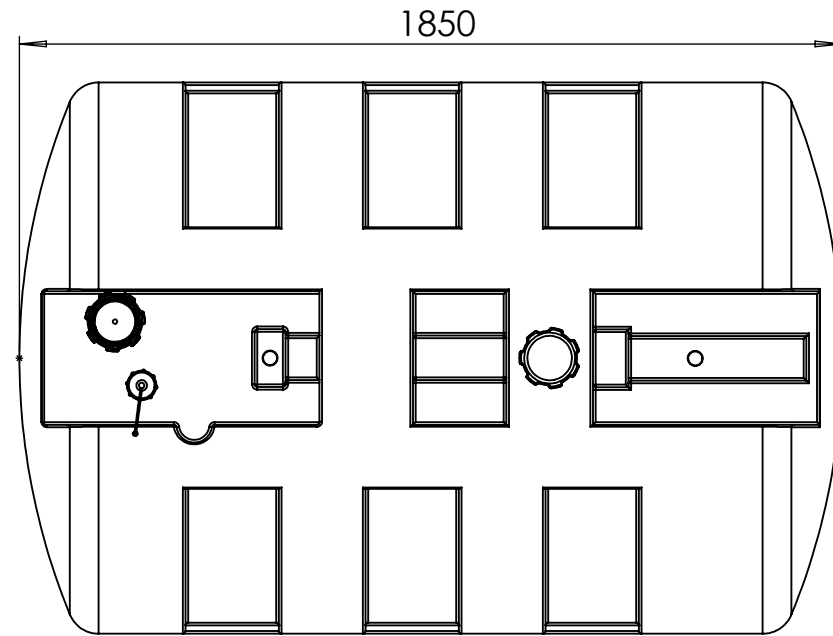


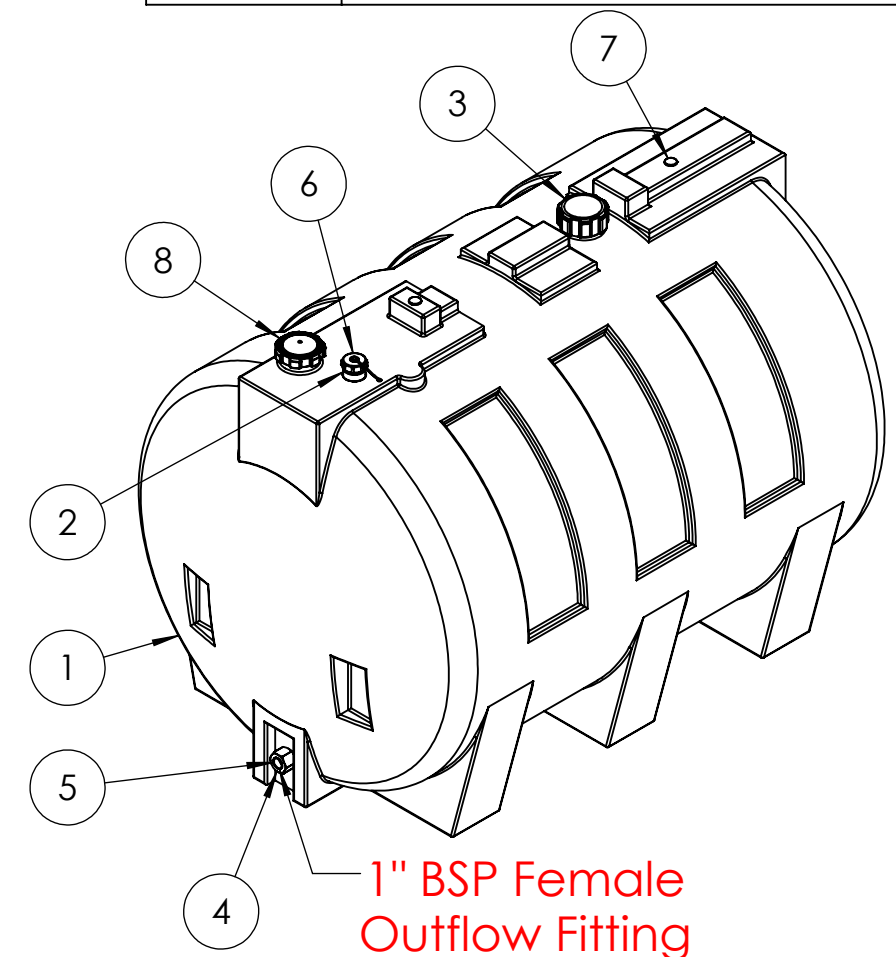
# H1900WST

## Volume Specification:


- Brim Fill Capacity: 1999 Litres



ITEM NO.	DESCRIPTION	QTY.
1	H1900 Water Tank Body	1
2	ALUMINIUM M/M 2" FILL POINT	1
3	Black Vent Cap 5 inch	1
4	Aluminium M/F OUTLET	1
5	TAPERED RED BUNG 33.3mm	1
6	2" BSP Screw cap	1
7	Black Bung 30mm Deso	2
8	5 INCH SCREW CAP	1
9	O Rings	1



1" BSP Female  
Outflow Fitting

UNLESS OTHERWISE SPECIFIED DIMENSIONS ARE IN MM. TOLERANCES ARE: NO DECIMAL ±2 .X ±0.3 ANGLES .XX ±0.10 ±0° 30'	DRAWN	DATE	<b>Deso Engineering Ltd</b> Slade Way, Williton, Taunton TA4 4TA TEL: 01984 632026 email: sales@desoengineering.co.uk		
	OF	15 Jun 2023			
	APPROVED		H1900 Water Storage Tank		
SCALE					
MATERIAL					
MASS (Kg)	66.4				
CAD GENERATED DRAWING, DO NOT MANUALLY UPDATE 3RD ANGLE PROJECTION DO NOT SCALE DRAWING				DRAWING NO. A3 1057924	REV. 02
				IF IN DOUBT - ASK. SHEET 1 OF 1	