

8 7 6 5 4 3 2 1

D

D

C

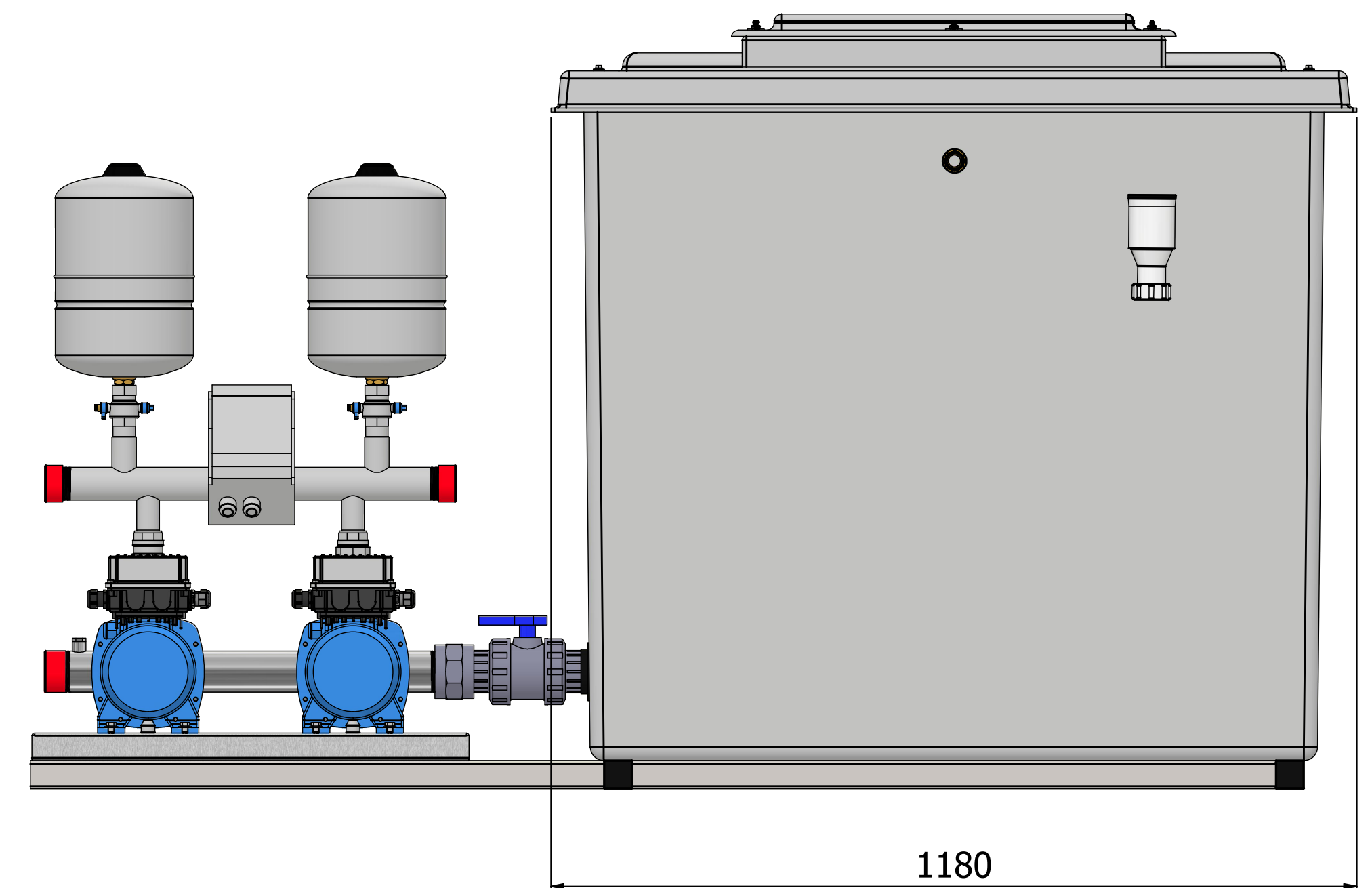
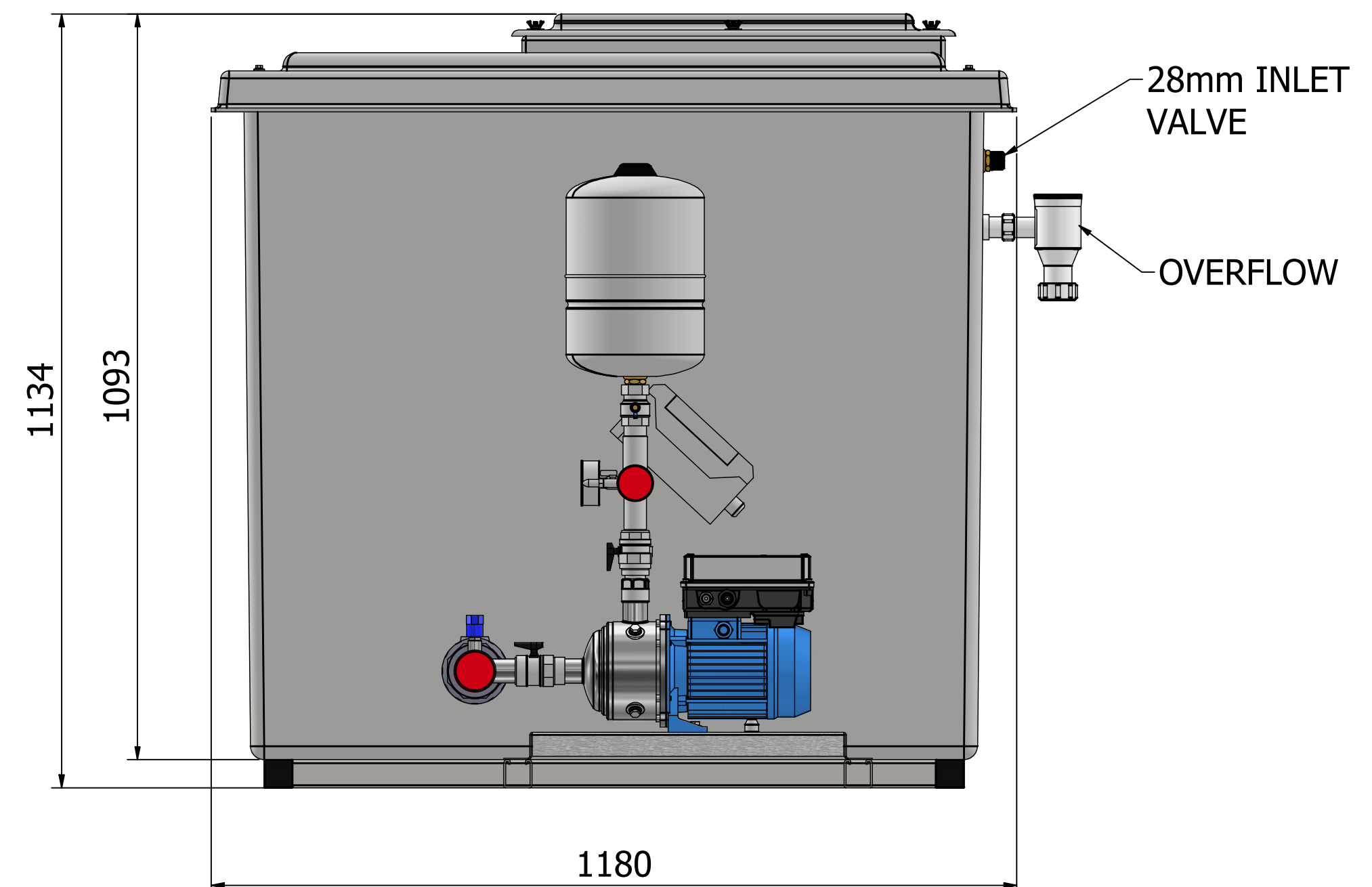
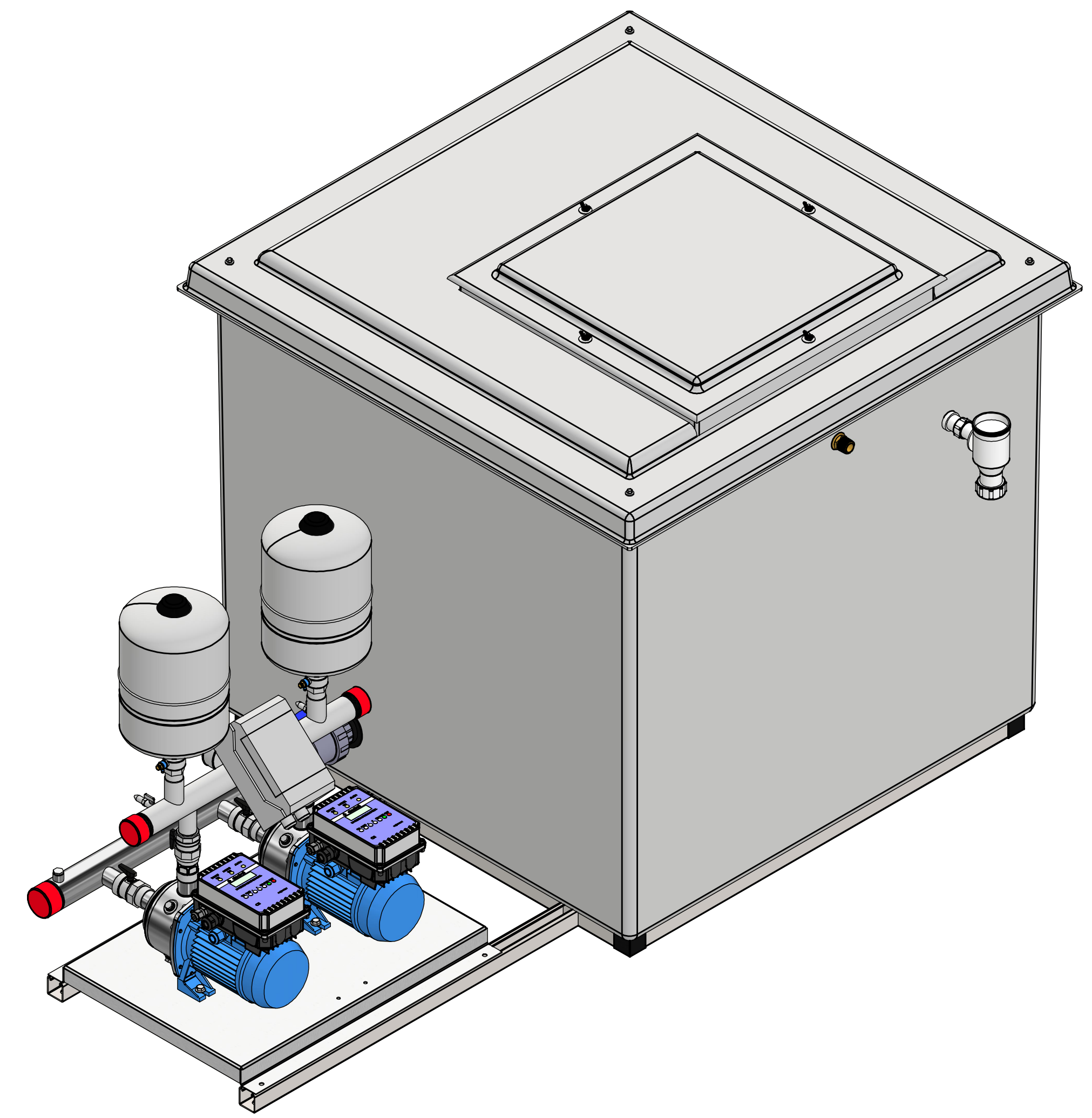
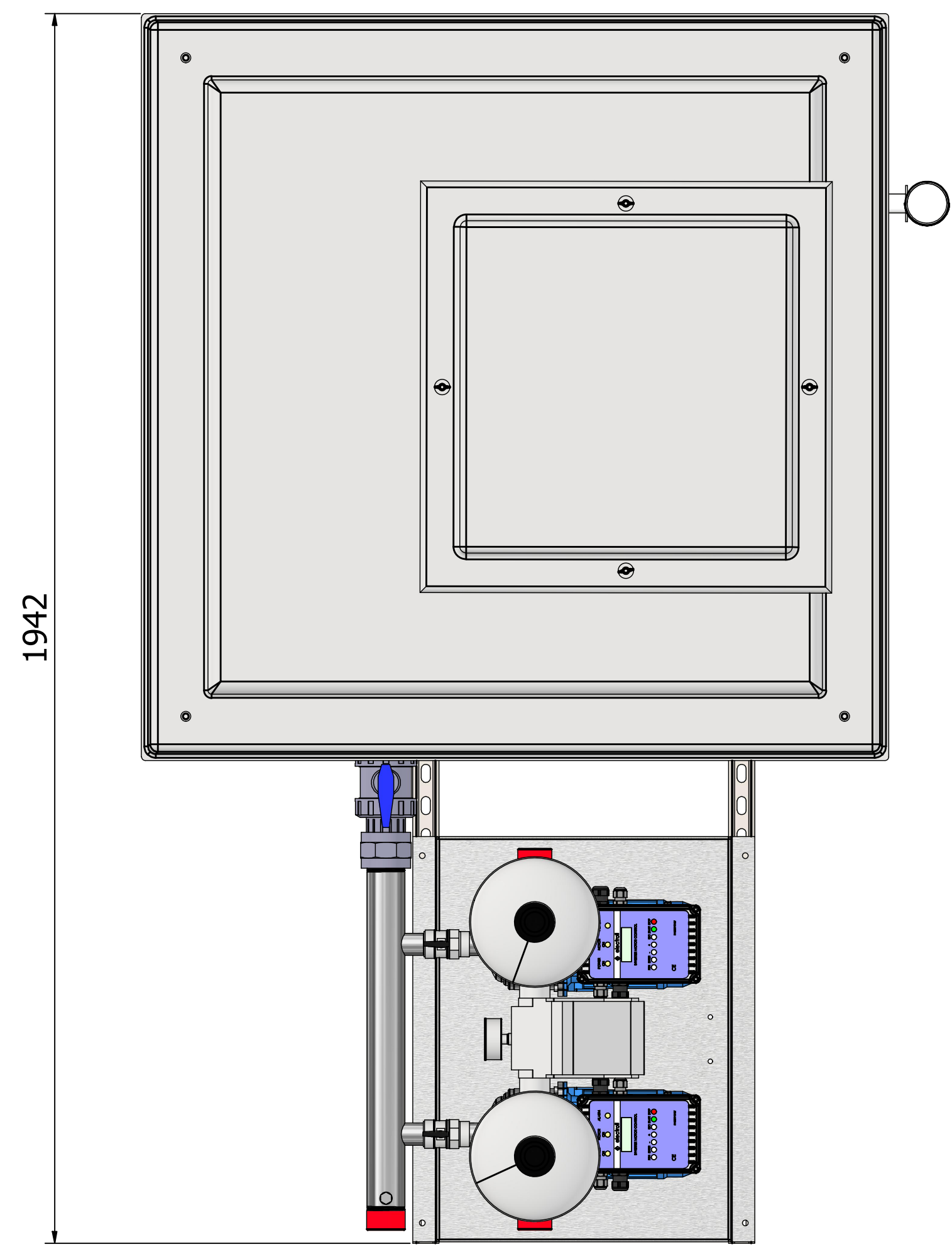
C

B

B

A

A



NOTES.

1. INLET AND OVERFLOW CAN BE FITTED TO THE TANK UPON REQUEST.
2. TANK CAN BE FITTED AND SUPPLIED WITH AN AB AIR GAP AND COWL.
3. PLEASE NOTE, PUMP CAN BE POSITIONED IN DIFFERENT POSITIONS DEPENDING ON SITE REQUIREMENTS. (POSITION SHOWN AS AN EXAMPLE ONLY)

Rev	Date	Description
THIRD ANGLE PROJECTION		
<p>THIS DRAWING IS CONFIDENTIAL AND MAY NOT BE USED, COPIED OR DISCLOSED TO ANYONE WITHOUT THE PERMISSION OF D.P. & T.</p>		
<p>PRODUCT CODE AF-T-1000-AG</p>		<p>PRODUCT DESCRIPTION AF Range</p>
Drawn By:	R.U.	Checked By: J.F.
Drawn Date:	18/10/2023	Checked Date: 18/10/2023
Approved By:	J.F.	Approved Date: 18/10/2023
REV	1	SHEET 1 OF 1
SIZE	A3	SCALE 1:7.5

8 7 6 5 4 3 2 1