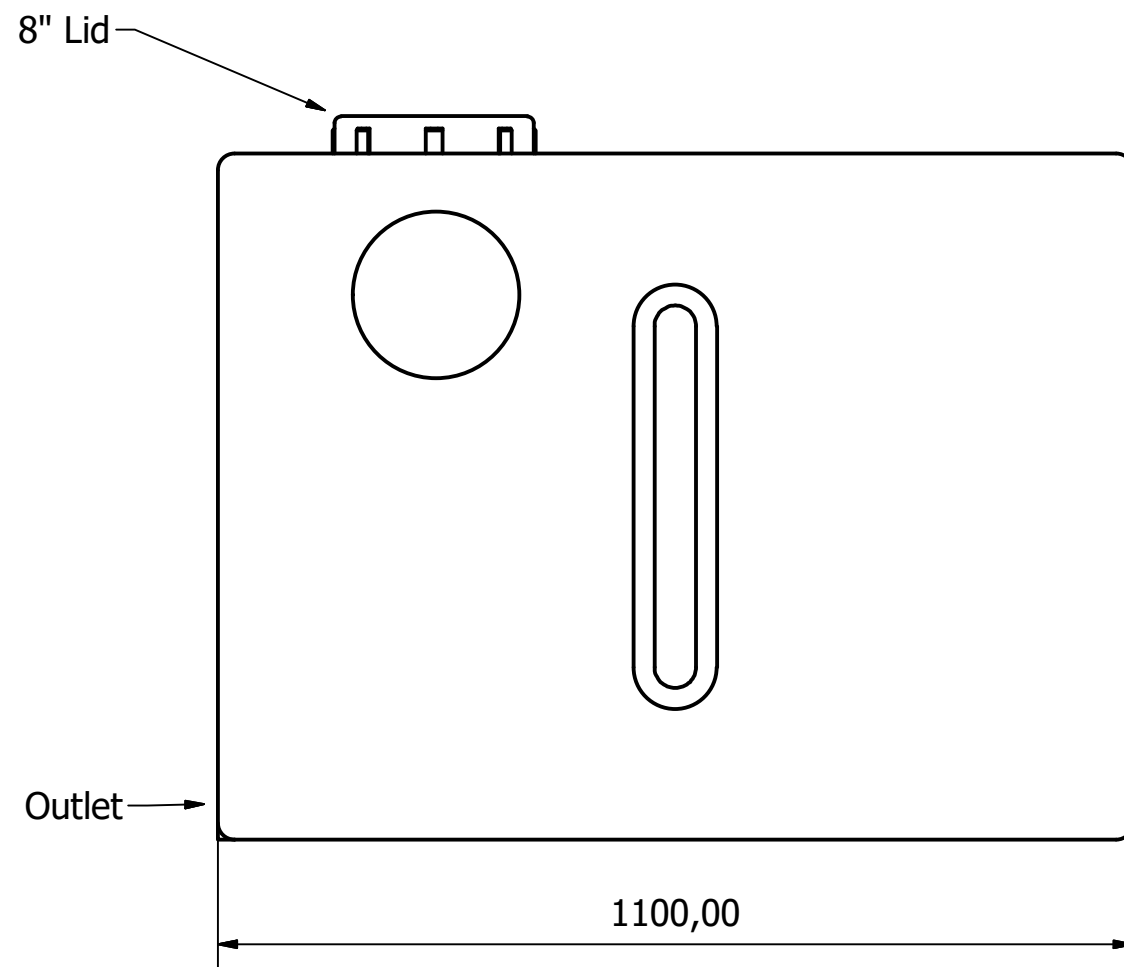
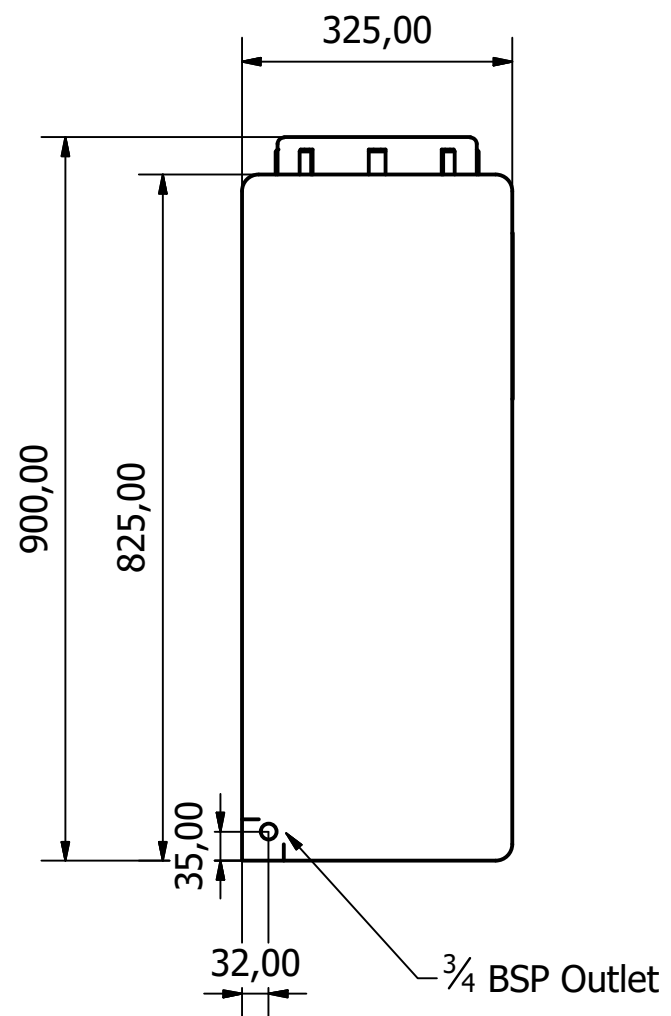
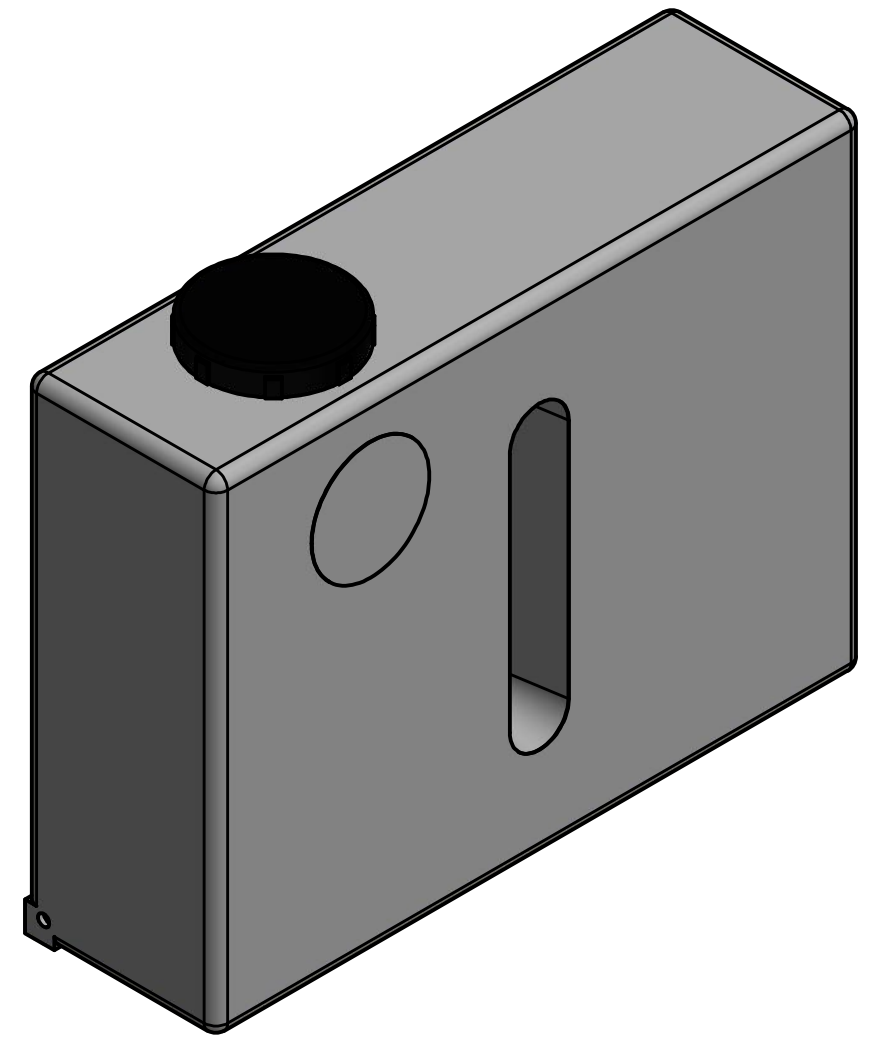
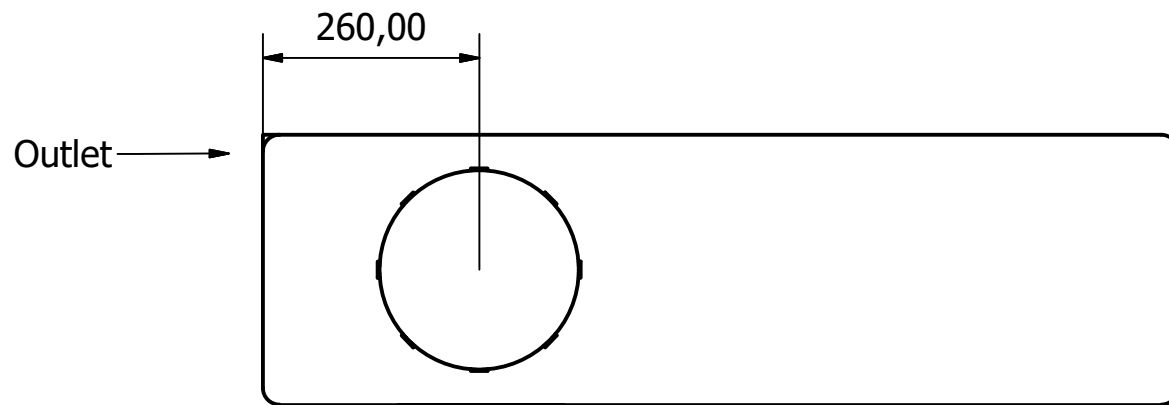


DO NOT SCALE UNLESS STATED - IF IN DOUBT ASK

Material	
Qty Req'd	



THIS DRAWING AND THE INFORMATION THEREON IS THE SOLE PROPERTY OF WYDALE PLASTICS LTD AND SHALL NOT BE COPIED OR REPRODUCED WITHOUT THE CONSENT OF WYDALE PLASTICS LTD. DIMENSIONS ARE ALL IN MM UNLESS OTHERWISE STATED. ALL TOLERANCES +/- 1MM UNLESS STATED.

CUSTOMER: Wydale Plastics Ltd

PROJECT: 250 Upright Tank

DRAWN DATE: 09/07/2018

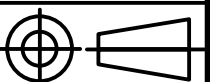
DESIGNED BY: joshv

CHECKED BY:

SHEET 1 OF 1

REV A

DRAWING NO:



REV	ZONE	DESCRIPTION	DATE