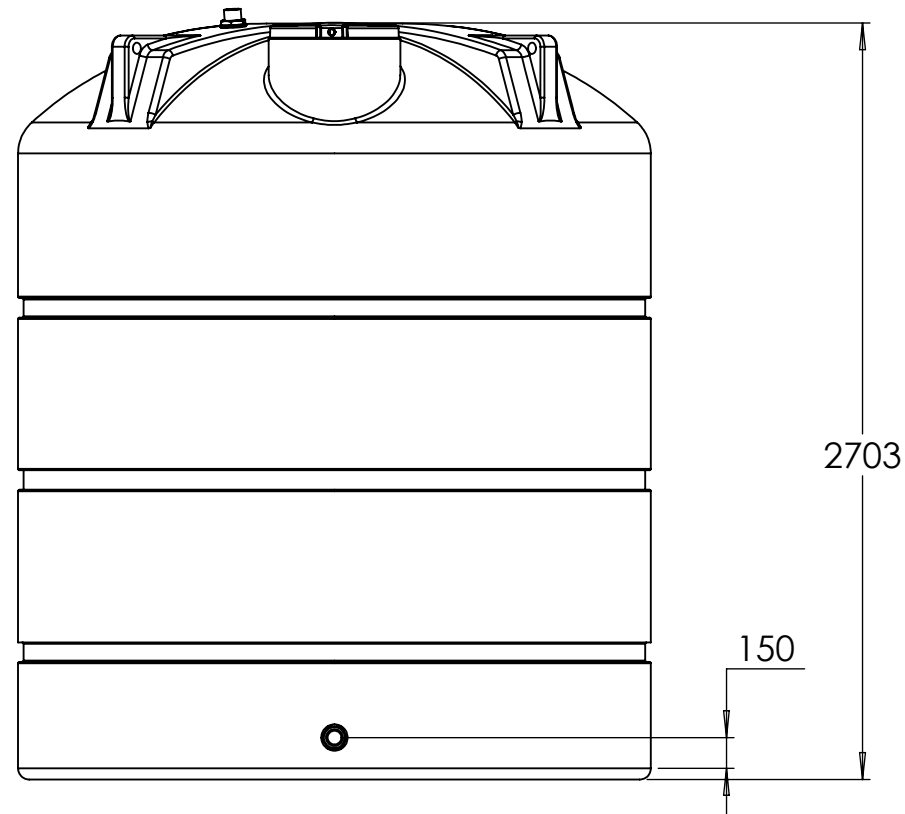
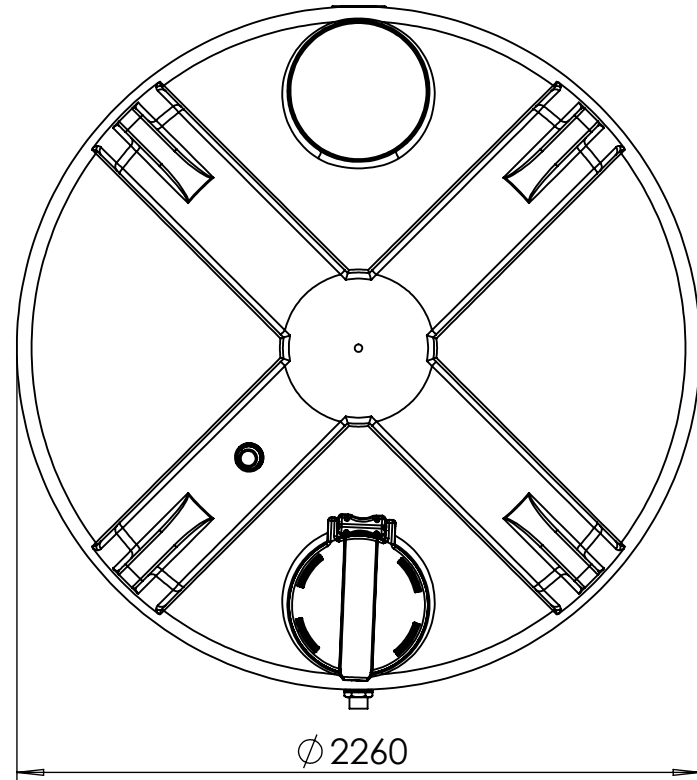


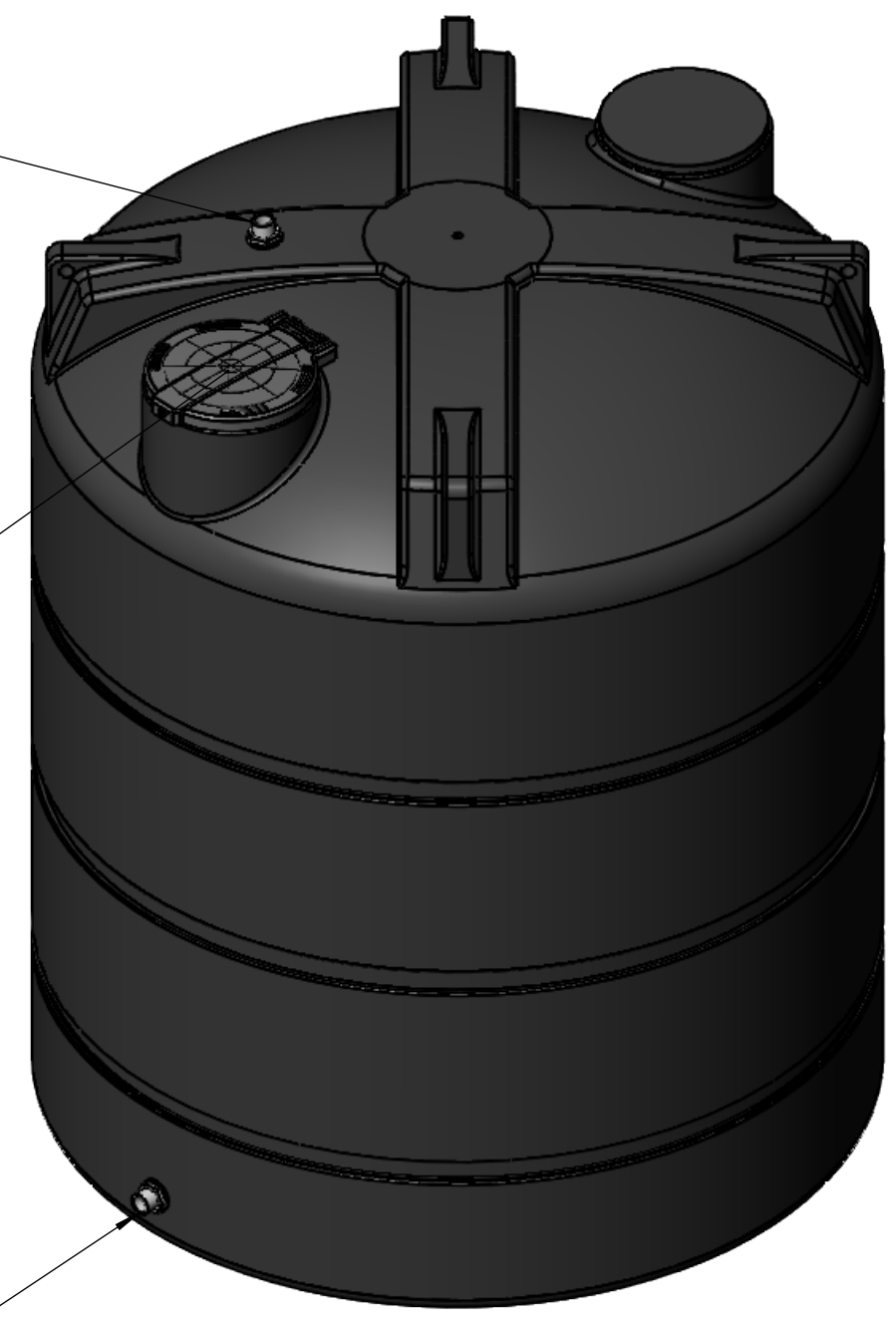
V9200PWST



2" BSP INLET

Lockable Inspection Lid

2" BSP OUTLET



- NOTE:**
- BRIMFILL CAPACITY: 9421 LITRES
 - ROTMOLDED FROM WRAS APPROVED POLYETHYLENE

Please Check with Kingspan Water & Energy Ltd For The Latest Issue Of This Drawing

UNLESS OTHERWISE SPECIFIED DIMENSIONS ARE IN MM. TOLERANCES ARE: NO DECIMAL ±5	DRAWN	DATE	Tanks Direct TEL: 01643 703358 Website: www.tanks-direct.co.uk Email: sales@tanks-direct.co.uk	
	OF	30 Nov 2023		
MASS (Kg)	APPROVED		V9200PWST POTBALE WATER TANK	
PROJECTION	3RD ANGLE PROJECTION			DRAWING NO. V9200PWST_ID
CAD GENERATED DRAWING, DO NOT MANUALLY UPDATE DO NOT SCALE DRAWING		IF IN DOUBT - ASK.		REV. 01 SHEET SIZE A3 SHEET 1 OF 1