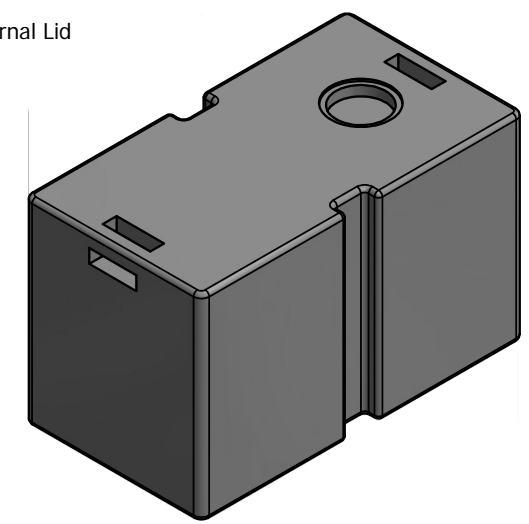
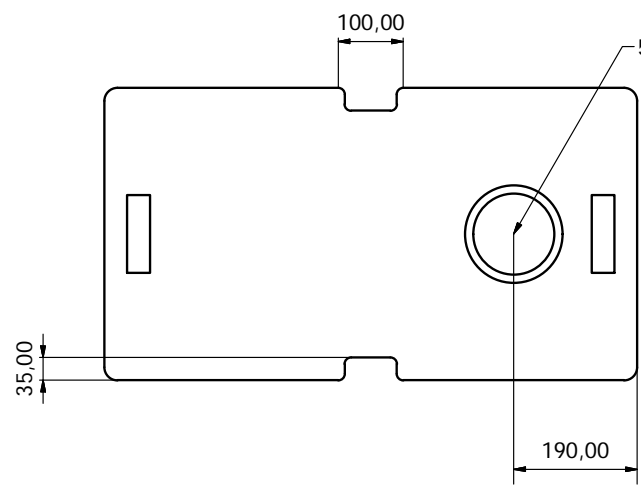
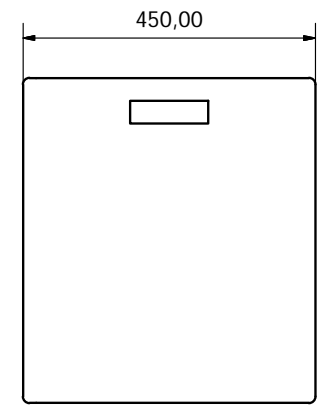
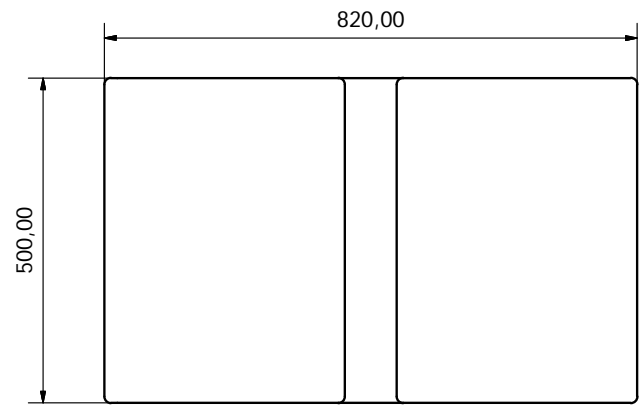




150 Litre Water Tank



Lid: 5"
Length: 820mm
Width: 450mm
Height: 500mm

Capacity: 150 Litres approx
Outlet: 1" BSP Female Drilled & Plugged
Weight: 15kg approx
Colour: Natural



This drawing and the information thereon is the sole property of Tanks Direct Limited and shall not be copied or reproduced without the consent of Tanks Direct Limited. dimensions are all in mm unless otherwise stated. all tolerances +/- 1mm unless stated.